

# Superseded

**Data-Over-Cable Service Interface Specifications  
DOCSIS 2.0**

**Operations Support System Interface Specification**

**CM-SP-OSSiv2.0-I08-050408**

**ISSUED  
SPECIFICATION**

## **Notice**

This document is a cooperative effort undertaken at the direction of Cable Television Laboratories, Inc. for the benefit of the cable industry in general. Neither CableLabs nor any member company is responsible for any liability of any nature whatsoever resulting from or arising out of use or reliance upon this specification by any party. This document is furnished on an "AS IS" basis and neither CableLabs nor its members provides any representation or warranty, express or implied, regarding its accuracy, completeness, or fitness for a particular purpose.

© Copyright 1999-2005 Cable Television Laboratories, Inc.  
All rights reserved.

## Document Status Sheet

Document Control Number:	CM-SP-OSSiv2.0-I08-050408			
Reference:	Operations Support System Interface Specification			
Revision History:	I01 — First Issued Release, December 31, 2001 I02 — Second Issued Release, June 17, 2002 I03 — Third Issued Release, December 18, 2002 I04 — Fourth Issued Release, July 30, 2003 I05 — Fifth Issued Release, April 7, 2004 I06 — Sixth Issued Release, August 4, 2004 I07 — Seventh Issued Release, December 10, 2004 I08 — Eighth Issued Release, April 8, 2005			
Date:	April 8, 2005			
Status Code:	Work in Process	Draft	Issued	Closed
Distribution Restrictions:	CableLabs only	CL Reviewers	CL Vendor	Public

## Key to Document Status Codes

**Work in Process** An incomplete document, designed to guide discussion and generate feedback, that may include several alternative requirements for consideration.

**Draft** A document in specification format considered largely complete, but lacking review by cable industry and vendors. Drafts are susceptible to substantial change during the review process.

**Issued** A stable document, which has undergone rigorous member and vendor review and is suitable for product design and development, cross-vendor interoperability, and for certification testing.

**Closed** A static document, reviewed, tested, validated, and closed to further engineering change requests to the specification through CableLabs.

### Trademarks:

DOCSIS®, eDOCSIS™, PacketCable™, CableHome®, OpenCable™, CableCARD™, CableOffice™, and CableLabs® are trademarks of Cable Television Laboratories, Inc.

## Table of Contents

<b>1</b>	<b>SCOPE AND PURPOSE</b> .....	<b>1</b>
1.1	SCOPE .....	1
1.2	REQUIREMENTS .....	1
<b>2</b>	<b>REFERENCES (NORMATIVE/INFORMATIVE)</b> .....	<b>3</b>
<b>3</b>	<b>GLOSSARY (INFORMATIVE)</b> .....	<b>7</b>
<b>4</b>	<b>ABBREVIATIONS</b> .....	<b>17</b>
<b>5</b>	<b>SNMP PROTOCOL</b> .....	<b>21</b>
5.1	SNMP MODE FOR DOCSIS 2.0-COMPLIANT CMTSES .....	21
5.1.1	Key Change Mechanism .....	22
5.2	SNMP MODE FOR DOCSIS 2.0-COMPLIANT CMS .....	23
5.2.1	SNMPv3 Initialization and Key changes .....	24
5.2.2	SNMPv3 Initialization .....	25
5.2.3	DH Key Changes .....	26
5.2.4	VACM Profile .....	27
<b>6</b>	<b>MANAGEMENT INFORMATION BASES (MIBS)</b> .....	<b>31</b>
6.1	IPCDN DRAFTS AND OTHERS .....	31
6.2	IETF RFCs .....	32
6.3	MANAGED OBJECTS REQUIREMENTS .....	32
6.3.1	CMTS MIB requirements.....	32
6.3.2	Requirements for [RFC 2669].....	33
6.3.3	Requirements for DOCS-IF-MIB.....	33
6.3.4	Requirements for [RFC 2863].....	34
6.3.5	Interface MIB and Trap Enable.....	38
6.3.6	Requirements for [RFC 2665].....	38
6.3.7	Requirements for [RFC 1493].....	38
6.3.8	Requirements for [RFC 2011].....	38
6.3.9	Requirements for [RFC 2013].....	39
6.3.10	Requirements for [RFC 3418].....	39
6.3.11	Requirements for DOCS-QOS-MIB.....	39
6.3.12	Requirements for “draft-ietf-ipcdn-igmp-mib-01.txt” .....	39
6.3.13	Requirements for [RFC 2933].....	39
6.3.14	Requirements for DOCS-BPI2-MIB .....	39
6.3.15	Requirements for USB MIB .....	40
6.3.16	Requirements for DOCS-SUBMGT-MIB.....	40
6.3.17	Requirements for [RFC 2786].....	40
6.3.18	Requirements for [RFC 3083].....	40
6.3.19	Requirements for DOCS-IF-EXT-MIB .....	41
6.3.20	Requirements for DOCS-CABLE-DEVICE-TRAP-MIB.....	41

6.3.21	Requirements for SNMPv3 MIBs .....	41
6.3.22	Requirements for DOCS-LOADBALANCING-MIB .....	42
6.3.23	Requirements for DOCS-IFEXT2-MIB.....	42
6.4	CM CONFIGURATION FILES, TLV-11 AND MIB OIDS/VALUES .....	42
6.4.1	CM configuration file TLV-11 element translation (to SNMP PDU).....	42
6.4.2	CM configuration TLV-11 elements not supported by the CM.....	43
6.4.3	CM state after CM configuration file processing success .....	43
6.4.4	CM state after CM configuration file processing failure .....	43
6.5	TREATMENT AND INTERPRETATION OF MIB COUNTERS ON THE CM .....	43
6.6	SNMPv3 NOTIFICATION RECEIVER CONFIG FILE ELEMENT.....	44
6.6.1	Mapping of TLV fields into created SNMPv3 table rows .....	44
<b>7</b>	<b>OSSI FOR RADIO FREQUENCY INTERFACE.....</b>	<b>51</b>
7.1	SUBSCRIBER ACCOUNT MANAGEMENT INTERFACE SPECIFICATION .....	51
7.1.1	Subscriber Usage Billing and class of services .....	51
7.1.2	IP Detail Record (IPDR) Standard.....	58
7.1.3	DOCSIS Subscriber Usage Billing Requirements .....	70
7.2	CONFIGURATION MANAGEMENT .....	83
7.2.1	Version Control.....	84
7.2.2	System Initialization and Configuration .....	85
7.2.3	Secure Software Upgrades.....	85
7.3	PROTOCOL FILTERS .....	89
7.3.1	LLC filters .....	90
7.3.2	Special filters .....	90
7.3.3	IP spoofing filter .....	90
7.3.4	SNMP Access Filter .....	91
7.3.5	IP filter.....	91
7.4	FAULT MANAGEMENT .....	92
7.4.1	SNMP Usage.....	92
7.4.2	Event Notification .....	95
7.4.3	Throttling, Limiting and Priority for Event, Trap and Syslog .....	102
7.4.4	Non-SNMP Fault Management Protocols .....	104
7.5	PERFORMANCE MANAGEMENT .....	104
7.5.1	Additional MIB implementation requirements .....	104
7.6	COEXISTENCE .....	105
7.6.1	Coexistence and MIBs .....	105
7.6.2	Coexistence and SNMP.....	108
<b>8</b>	<b>OSSI FOR BPI+ .....</b>	<b>109</b>
8.1	DOCSIS ROOT CA.....	109
8.2	DIGITAL CERTIFICATE VALIDITY PERIOD AND RE-ISSUANCE.....	109
8.2.1	DOCSIS Root CA Certificate.....	109
8.2.2	DOCSIS Manufacturer CA Certificate .....	109

8.2.3	<i>DOCSIS CM Certificate</i> .....	109
8.2.4	<i>DOCSIS Code Verification Certificate</i> .....	110
8.3	CM CODE FILE SIGNING POLICY .....	110
8.3.1	<i>Manufacturer CM Code File Signing Policy</i> .....	110
<b>9</b>	<b>OSSI FOR CMCI</b> .....	<b>111</b>
9.1	SNMP ACCESS VIA CMCI .....	111
9.2	CONSOLE ACCESS.....	111
9.3	CM DIAGNOSTIC CAPABILITIES .....	112
9.4	PROTOCOL FILTERING .....	112
9.5	MANAGEMENT INFORMATION BASE (MIB) REQUIREMENTS.....	112
<b>10</b>	<b>CM OPERATIONAL STATUS VISUALIZATION</b> .....	<b>113</b>
10.1	CM LEDs REQUIREMENTS AND OPERATION .....	113
10.1.1	<i>Power and self test</i> .....	113
10.1.2	<i>Scanning and Synchronization to Downstream</i> .....	114
10.1.3	<i>DOCSIS Upstream obtaining parameters</i> .....	114
10.1.4	<i>Becoming Operational</i> .....	114
10.1.5	<i>Data Link and Activity</i> .....	114
10.2	ADDITIONAL CM OPERATIONAL STATUS VISUALIZATION FEATURES .....	114
10.2.1	<i>Software Download</i> .....	114
<b>ANNEX A</b>	<b>DETAILED MIB REQUIREMENTS (NORMATIVE)</b> .....	<b>115</b>
A.1	IF-MIB ifTABLE MIB-OBJECT DETAILS .....	160
A.2	[RFC 1493] AND [RFC 2863] MIB-OBJECT DETAILS FOR CCCM .....	180
A.2.1	<i>[RFC 1493] MIB-Object Details</i> .....	180
A.2.2	<i>Implementation of [RFC 1493] MIB for CCCM</i> .....	181
A.2.3	<i>[RFC 2863] ifTable MIB-Object details for CCCM</i> .....	183
<b>ANNEX B</b>	<b>IPDR STANDARDS SUBMISSION FOR DOCSIS CABLE DATA SYSTEMS SUBSCRIBER USAGE BILLING RECORDS</b> .....	<b>185</b>
B.1	SERVICE DEFINITION .....	185
B.1.1	<i>DOCSIS Service Requirements</i> .....	185
B.1.2	<i>DOCSIS IPDR Service Usage Element List</i> .....	186
B.2	DOCSIS IPDR SUBSCRIBER USAGE BILLING SERVICE SCHEMA .....	195
B.2.1	<i>DOCSIS IPDR Schema File DOCSIS-3.5.1-A.0.xsd</i> .....	195
<b>ANNEX C</b>	<b>SNMPV2C INFORM REQUEST DEFINITION FOR SUBSCRIBER ACCOUNT MANAGEMENT (SAM) (NORMATIVE)</b> .....	<b>203</b>
<b>ANNEX D</b>	<b>FORMAT AND CONTENT FOR EVENT, SYSLOG, AND SNMP TRAP (NORMATIVE)</b> .....	<b>205</b>
<b>ANNEX E</b>	<b>APPLICATION OF [RFC 2933] TO DOCSIS 2.0 ACTIVE/PASSIVE IGMP DEVICES (NORMATIVE)</b> .....	<b>243</b>
E.1	DOCSIS 2.0 IGMP MIBS .....	243

<i>E.1.1 IGMP Capabilities: Active and Passive Mode</i> .....	243
<i>E.1.2 IGMP Interfaces</i> .....	243
E.2 DOCSIS 2.0 CM SUPPORT FOR THE IGMP MIB .....	243
<i>E.2.1 igmpInterfaceTable- igmpInterfaceEntry</i> .....	244
<i>E.2.2 igmpCacheTable - igmpCacheEntry</i> .....	248
E.3 DOCSIS 2.0 CMTS SUPPORT FOR THE IGMP MIB .....	250
<i>E.3.1 igmpInterfaceTable- igmpInterfaceEntry</i> .....	250
<i>E.3.2 igmpCacheTable - igmpCacheEntry</i> .....	254
<i>E.3.3 IGMP MIB Compliance</i> .....	257
<i>E.3.4 MIB Groups</i> .....	258
<b>ANNEX F EXPECTED BEHAVIORS FOR DOCSIS 2.0 MODEM IN 1.0, 1.1, AND 2.0 MODES IN OSS AREA (NORMATIVE)</b> .....	<b>259</b>
<b>ANNEX G DOCS-IF-EXT-MIB (NORMATIVE)</b> .....	<b>263</b>
<b>ANNEX H DOCS-CABLE-DEVICE-TRAP-MIB (NORMATIVE)</b> .....	<b>267</b>
<b>ANNEX I REQUIREMENTS FOR DOCS-LOADBALANCING-MIB (MANDATORY)</b> .....	<b>281</b>
<b>ANNEX J REQUIREMENTS FOR DOCS-QOS-MIB (MANDATORY)</b> .....	<b>301</b>
<b>ANNEX K REQUIREMENTS FOR DOCS-IFEXT2-MIB (MANDATORY)</b> .....	<b>345</b>
<b>APPENDIX I BUSINESS PROCESS SCENARIOS FOR SUBSCRIBER ACCOUNT MANAGEMENT (INFORMATIVE)</b> .....	<b>355</b>
I.1 THE OLD SERVICE MODEL: “ONE CLASS ONLY” AND “BEST-EFFORT” SERVICE .....	355
I.2 THE OLD BILLING MODEL: “FLAT RATE” ACCESS.....	355
I.3 A SUCCESSFUL NEW BUSINESS PARADIGM .....	355
<i>I.3.1 Integrating "front end" processes seamlessly with "back office" functions</i> .....	356
<i>I.3.2 Designing Classes of Services</i> .....	356
<i>I.3.3 Usage-Based Billing</i> .....	357
<i>I.3.4 Designing Usage-Based Billing Models</i> .....	357
<b>APPENDIX II SUMMARY OF CM AUTHENTICATION AND CODE FILE AUTHENTICATION (INFORMATIVE)</b> .....	<b>359</b>
II.1 AUTHENTICATION OF THE DOCSIS 2.0-COMPLIANT CM .....	359
<i>II.1.1 Responsibility of the DOCSIS Root CA</i> .....	359
<i>II.1.2 Responsibility of the CM manufacturers</i> .....	360
<i>II.1.3 Responsibility of the operators</i> .....	360
II.2 AUTHENTICATION OF THE CODE FILE FOR THE DOCSIS 2.0-COMPLIANT CM.....	360
<i>II.2.1 Responsibility of the DOCSIS Root CA</i> .....	361
<i>II.2.2 Responsibility of the CM manufacturer</i> .....	361
<i>II.2.3 Responsibility of CableLabs</i> .....	362
<i>II.2.4 Responsibility of the operators</i> .....	362

**APPENDIX III ENCODING EXAMPLES FOR SUBSCRIBER USAGE IPDRS .....363**  
III.1 EXAMPLE USAGE RECORD STREAMING MODEL CONTAINING DIVERSE SERVICES .....363

**APPENDIX IV ACKNOWLEDGMENTS (INFORMATIVE).....423**

**APPENDIX V REVISIONS (INFORMATIVE).....425**  
V.1 ECNs INCLUDED IN SP-OSSiv2.0-I02-020617 .....425  
V.2 ECNs INCLUDED IN SP-OSSiv2.0-I03-021218 .....425  
V.3 ECNs INCLUDED IN SP-OSSiv2.0-I04-030730 .....426  
V.4 ECNs INCLUDED IN SP-OSSiv2.0-I05-040407 .....427  
V.5 ECNs INCLUDED IN CM-SP-OSSiv2.0-I06-040804.....427  
V.6 ECNs INCLUDED IN CM-SP-OSSiv2.0-I07-041210.....427  
V.7 ECNs INCLUDED IN CM-SP-OSSiv2.0-I08-050408.....428

This page intentionally left blank.

## List of Figures

FIGURE 6-1	IFINDEX EXAMPLE FOR CMTS .....	36
FIGURE 6-2	IFINDEX EXAMPLE FOR CM .....	36
FIGURE 7-1	SUBSCRIBER USAGE BILLING MODEL MAPPING TO DOCSIS MANAGEMENT OBJECTS .....	56
FIGURE 7-2	BASIC NETWORK MODEL (REF. [IPDR/BSR] FROM WWW.IPDR.ORG) .....	58
FIGURE 7-3	IPDRDOC 3.5 GENERIC SCHEMA .....	59
FIGURE 7-4	DOCSIS IPDR 3.5 XML SCHEMA FOR DOCSIS SERVICE SPECIFICATION .....	60
FIGURE 7-5	BILLING COLLECTION INTERVAL EXAMPLE .....	67
FIGURE 7-6	IPDR/SP SIMPLE STATE DIAGRAM .....	73
FIGURE 7-7	FLOW DIAGRAM FOR DOCSIS DEFAULT STREAMING REQUIREMENTS .....	74
FIGURE 7-8	MANUFACTURER CONTROL SCHEME .....	85
FIGURE 7-9	OPERATOR CONTROL SCHEME .....	86
FIGURE 7-10	COEXISTENCE (DOCSIS 1.0 MODE VS. DOCSIS 1.1 MODE VS. DOCSIS 2.0 MODE) .....	105
FIGURE II-1	AUTHENTICATION OF THE DOCSIS 2.0-COMPLIANT CM .....	359
FIGURE II-2	AUTHENTICATION OF THE CODE FILE FOR THE DOCSIS 2.0-COMPLIANT CM .....	361
FIGURE III-1	SET OF CM SERVICES IN AN ARBITRARY PERIOD OF TIME (LEFT GRAPHIC) SET OF RECORDS ASSOCIATED TO THE COLLECTION INTERVAL 10:30 TO 11:00 AM (RIGHT GRAPHIC) .....	364

This page intentionally left blank.

## List of Tables

TABLE 6-1	IPCDN DRAFTS .....	31
TABLE 6-2	IETF RFCs .....	32
TABLE 6-3	CM INTERFACE NUMBERING .....	37
TABLE 6-4	DOCSIFCMSTATUSVALUE AND IFOPERSTATUS RELATIONSHIP.....	37
TABLE 6-5	SNMPNOTIFYTABLE.....	45
TABLE 6-6	SNMPTARGETADDRTABLE .....	45
TABLE 6-7	SNMPTARGETADDREXTTABLE.....	46
TABLE 6-8	SNMPTARGETPARAMSTABLE FOR <TRAP TYPE> 1, 2, OR 3.....	46
TABLE 6-9	SNMPTARGETPARAMSTABLE FOR <TRAP TYPE> 4 OR 5.....	46
TABLE 6-10	SNMPNOTIFYFILTERPROFILETABLE .....	47
TABLE 6-11	SNMPNOTIFYFILTERTABLE.....	47
TABLE 6-12	SNMPCOMMUNITYTABLE.....	48
TABLE 6-13	USMUSERTABLE .....	48
TABLE 6-14	VACMSECURITYTOGROUPTABLE .....	49
TABLE 6-15	VACMACCESSTABLE.....	49
TABLE 6-16	VACMVIEWTREEFAMILYTABLE .....	50
TABLE 7-1	DEFAULT DOCSIS STREAMING FLOW DIAGRAM.....	75
TABLE 7-2	SAMPLE DOCSDEVNMACCESSIP VALUES.....	91
TABLE 7-3	DEFAULT EVENT PRIORITIES FOR THE CABLE MODEM DEVICE.....	100
TABLE 7-4	DEFAULT EVENT PRIORITIES FOR THE CMTS SUPPORTING ONLY LOCAL-LOG NON-VOLATILE .....	100
TABLE 7-5	DEFAULT EVENT PRIORITIES FOR THE CMTS SUPPORTING ONLY LOCAL-LOG VOLATILE.....	101
TABLE 7-6	DEFAULT EVENT PRIORITIES FOR THE CMTS SUPPORTING BOTH LOCAL-LOG NON-VOLATILE AND LOCAL-LOG VOLATILE .....	101
TABLE 7-7	EVENT PRIORITIES ASSIGNMENT FOR CMTS AND CMTSES.....	102
TABLE 7-8	MAXIMUM LEVEL OF SUPPORT FOR CM EVENTS .....	102
TABLE 7-9	MAXIMUM LEVEL OF SUPPORT FOR CMTS EVENTS .....	103
TABLE 7-10	DOCSIS 2.0 CM MODES AND MIB REQUIREMENTS.....	106
TABLE A-1	[RFC 1493] MIB-OBJECT DETAILS .....	180
TABLE A-2	THE DOT1DBASE GROUP .....	181
TABLE A-3	DOT1DBASEPORTTABLE .....	182
TABLE A-4	DOT1DBASEPORTTABLE .....	182
TABLE A-5	DOT1DFDBTABLE .....	183
TABLE A-6	DOT1DTpPORTTABLE .....	183
TABLE A-7	[RFC 2863] IFTABLE MIB-OBJECT DETAILS FOR CCCM .....	183
TABLE B-1	SERVICE USAGE ELEMENT NAMES .....	191
TABLE III-1	SAMPLE OF RECORDS FOR THE PERIOD 10:30 TO 11:00 AM .....	363
TABLE V-1	INCORPORATED ECN TABLE FOR SP-OSSiv2.0-I02-020617 .....	425
TABLE V-2	INCORPORATED ECN TABLE FOR SP-OSSiv2.0-I03-021218.....	425
TABLE V-3	INCORPORATED ECN TABLE FOR SP-OSSiv2.0-I04-030730.....	426
TABLE V-4	INCORPORATED ECN TABLE FOR SP-OSSiv2.0-I05-040407.....	427
TABLE V-5	INCORPORATED ECN TABLE FOR CM-SP-OSSiv2.0-I06-040804 .....	427

TABLE V-6	INCORPORATED ECN TABLE FOR CM-SP-OSSiv2.0-I07-041210.....	427
TABLE V-7	INCORPORATED ECN TABLE FOR CM-SP-OSSiv2.0-I08-050408.....	428

# 1 Scope and Purpose

## 1.1 Scope

This Specification defines the Network Management requirements to support a DOCSIS® 2.0 environment. More specifically, the specification details the SNMPv3 protocol and how it coexists with SNMP v1/v2. The RFCs and Management Information Base (MIB) requirements are detailed as well as interface numbering, filtering, event notifications, etc. Basic network-management principles such as account, configuration, fault, and performance management are incorporated in this specification for better understanding of managing a high-speed cable modem environment.

## 1.2 Requirements

Throughout this document, the words that are used to define the significance of particular requirements are capitalized. These words are:

<b>MUST</b>	This word or the adjective “REQUIRED” means that the item is an absolute requirement of this specification.
<b>MUST NOT</b>	This phrase means that the item is an absolute prohibition of this specification.
<b>SHOULD</b>	This word or the adjective “RECOMMENDED” means that there may exist valid reasons in particular circumstances to ignore this item, but the full implications should be understood and the case carefully weighed before choosing a different course.
<b>SHOULD NOT</b>	This phrase means that there may exist valid reasons in particular circumstances when the listed behavior is acceptable or even useful, but the full implications should be understood and the case carefully weighed before implementing any behavior described with this label.
<b>MAY</b>	This word or the adjective “OPTIONAL” means that this item is truly optional. One vendor may choose to include the item because a particular marketplace requires it or because it enhances the product, for example; another vendor may omit the same item.

This document defines many features and parameters, and a valid range for each parameter is usually specified. Equipment (CM and CMTS) requirements are always explicitly stated. Equipment must comply with all mandatory (MUST and MUST NOT) requirements to be considered compliant with this specification. Support of non-mandatory features and parameter values is optional.

This page intentionally left blank.

## 2 References (normative/informative)<sup>1</sup>

- [DOCSIS 1]** DOCSIS Cable Modem Termination System - Network-Side Interface Specification SP-CMTS-NSI-I01-960702
- [DOCSIS 2]** DOCSIS Cable Modem to Customer Premise Equipment Interface Specification SP-CMCI-I10-050408
- [DOCSIS 4]** DOCSIS Telephony Return Interface Specification SP-CMTRI-I01-970804
- [DOCSIS 5]** DOCSIS Radio Frequency Interface Specification CM-SP-RFIV2.0-I08-050408
- [DOCSIS 6]** DOCSIS Baseline Privacy Plus Interface Specification CM-SP-BPI+-I11-040407
- [ID-IGMP]** Fenner, W., IGMP-based Multicast Forwarding (“IGMP Proxying”), IETF Internet Draft, <http://www.ietf.org/internet-drafts/draft-fenner-igmp-proxy-03.txt>.
- [IETF3]** draft-ietf-ipcdn-igmp-mib-00.txt, H. Abramson, “DOCSIS 1.1 IGMP MIB”, June 1999
- [IETF6]** Proposed Standard RFC version of BPI+ MIB, “draft-ietf-ipcdn-bpiplus-05.txt”<sup>2</sup>
- [IETF7]** IETF Proposed Standard RFC-version of USB MIB
- [IETF9]** Proposed Standard RFC version of Customer Management MIB, “draft-ietf-ipcdn-subscriber-mib-02.txt”
- [IETF10]** S. Cheshire, B. Aboba, and E. Guttman, “Dynamic Configuration of IPv4 Link-Local Addresses”, internet-draft draft-ietf-zeroconf-ipv4-linklocal-10.txt<sup>3</sup>
- [IETF11]** Raftus David, Goren Aviv, "Proposed Standard RFC version of Radio Frequency (RF) Interface Mib", draft-ietf-ipcdn-docs-rfmibv2-05.txt<sup>4</sup>
- [IPDR/BSSR]** “IPDR Business Solution Requirements” - Network Data Management Usage (NDM-U), Version 3.5.0.1, IPDR.org, May, 2004<sup>5</sup>
- [IPDR/SSDG]** “IPDR Service Specification Design Guide”, Version 3.5.1, IPDR.org, November, 2004<sup>6</sup>
- [IPDR/SP]** “IPDR/Streaming Protocol Specification”, Version 2.1, IPDR.org, November, 2004<sup>7</sup>

---

<sup>1</sup>. Deleted reference to RFI-MIB-IPCDN-DRAFT per ECN OSS2-N-03069 by GO on 07/11/03; Deleted [IETF4], per ECN OSSIV2.0-N-04.0139-2 by GO on 7/8/04; Deleted reference to NDM U 3.1 per ECN OSSIV2.0-N-05.0209-4 by GO on 3.16/05.

<sup>2</sup>. Revised this reference (and rescinded ECN OSS2-N-02234) per ECN OSS2-N-03021 by GO on 03/21/03.

<sup>3</sup>. Revised this reference per ECN OSSIV2.0-N-03.0117-2 by GO on 02/19/04.

<sup>4</sup>. Added this reference per ECN OSS2-N-03069 by GO on 07/11/03.

<sup>5</sup>. Added seven “IPDR” references per ECN OSSIV2.0-N-0173-7 by GO on 11/18/04; Revised this reference per ECN OSSIV2.0-N-05.0209-4 by GO on 3.16/05.

<sup>6</sup>. Revised this reference per ECN OSSIV2.0-N-05.0209-4 by GO on 3.16/05.

<sup>7</sup>. Revised this reference per ECN OSSIV2.0-N-05.0209-4 by GO on 3.16/05.

- [IPDR/XDR]** "IPDR/XDR File Encoding Format", Version 3.5.1, November, 2004
- [IPDR/CAPAB]** "IPDR/Capability File Format", Version 3.5.0.1, IPDR.org, January, 2004<sup>1</sup>
- [IPDR/XML]** "IPDR/XML File Encoding Format", Version 3.5.0.1, IPDR.org, April, 2004<sup>2</sup>
- [IPDR/FILE]** "IPDR/File Transfer Protocol", Version 3.5.0.1, IPDR.org, April, 2004<sup>3</sup>
- [PKT-DQOS]** "PacketCable Dynamic Quality of Service Specification, PKT-SP-DQOS-I11-040723, Cable Television Laboratories, Inc, July 21, 2004<sup>4</sup>
- [RFC 1034]** "P.V. Mockapetris, "DOMAIN NAMES - CONCEPTS AND FACILITIES", RFC 1034, STD0013, November 1987<sup>5</sup>
- [RFC 1157]** Schoffstall, M., Fedor, M., Davin, J. and Case, J., A Simple Network Management Protocol (SNMP), IETF RFC 1157, May, 1990
- [RFC 1213]** K. McCloghrie and M. Rose. Management Information Base for Network Management of TCP/IP-base internets: MIB-II, IETF RFC 1213, March, 1991
- [RFC 1224]** L. Steinberg., Techniques for Managing Asynchronously Generated Alerts, IETF RFC 1224, May, 1991
- [RFC 1493]** E. Decker, P. Langille, A. Rijssinghani, and K.McCloghrie., Definitions of Managed Objects for Bridges, IETF RFC 1493, July, 1993
- [RFC 1901]** Case, J., McCloghrie, K., Rose, M. and S. Waldbusser, "Introduction to Community-based SNMPv2", RFC 1901, January, 1996.
- [RFC 1952]** Deutsch, P., "GZIP file format specification version 4.3", RFC 1952, May, 1996.
- [RFC 2011]** K. McCloghrie, "Category: Standards Track SNMPv2 Management Information Base for the Internet Protocol using SMIV2", November 1996
- [RFC 2013]** K. McCloghrie, "Category: Standards Track SNMPv2 Management Information Base for the User Datagram Protocol using SMIV2", November 1996
- [RFC 2132]** S. Alexander, R. Droms. DHCP Options and BOOTP Vendor Extensions. IETF RFC 2132. March, 1997.
- [RFC 2246]** Dierks, T. and C. Allen, "The TLS Protocol, Version 1.0", RFC 2246, January 1999.<sup>6</sup>

---

1. Revised this reference per ECN OSSiv2.0-N-05.0209-4 by GO on 3.16/05.

2. Revised this reference per ECN OSSiv2.0-N-05.0209-4 by GO on 3.16/05.

3. Revised this reference per ECN OSSiv2.0-N-05.0209-4 by GO on 3.16/05.

4. Added this reference per ECN OSSiv2.0-N-0173-7 by GO on 11/18/04.

5. Added this reference per ECN OSSiv2.0-N-0173-7 by GO on 11/18/04.

6. Added this reference per ECN OSSiv2.0-N-0173-7 by GO on 11/18/04.

- [RFC 2401] Kent, S. and R. Atkinson, "Security Architecture for the Internet Protocol", RFC 2401, Nov 1998.<sup>1</sup>
- [RFC 2576] R. Frye, D. Levi, S. Routhier, B. Wijnen, "Coexistence between Version 1, Version 2, and Version 3 of the Internet-Standard and Network Management Framework", RFC 2576, March 2000.
- [RFC 2578] McCloghrie, K., Perkins, D., Schoenwaelder, J., Case, J., Rose, M. and S. Waldbusser, "Structure of Management Information Version 2 (SMIV2)", STD 58, RFC 2578, April 1999
- [RFC 2579] McCloghrie, K., Perkins, D., Schoenwaelder, J., Case, J., Rose, M. and S. Waldbusser, "Textual Conventions for SMIV2", STD 58, RFC 2579, April 1999
- [RFC 2580] McCloghrie, K., Perkins, D., Schoenwaelder, J., Case, J., Rose, M. and S. Waldbusser, "Conformance Statements for SMIV2", STD 58, RFC 2580, April 1999
- [RFC 2665] J. Flick, J. Johnson, "Definitions of Managed Objects for the Ethernet-like Interface Types", August 1999
- [RFC 2669] M. St. Johns, "DOCSIS Cable Device MIB Cable Device Management Information Base for DOCSIS compliant Cable Modems and Cable Modem Termination Systems", August 1999
- [RFC 2670] M. St. Johns, "Radio Frequency (RF) Interface Management Information Base for MCNS/DOCSIS compliant RF interfaces", August 1999
- [RFC 2786] stjohs-snmpv3-dhkeychange-mib-01.txt, Michael C. St. Johns, "Diffie-Helman USM Key MIB August 1999 Diffie-Helman USM Key Management Information Base and Textual Convention", Aug. 6, 1999
- [RFC 2863] K. McCloghrie, F. Kastenholz, "The Interfaces Group MIB", June 2000.
- [RFC 2933] McCloghrie, K., Farinacci, D., Thaler, D., "Internet Group Management Protocol MIB", RFC 2933
- [RFC 3083] R. Woundy, "Baseline Privacy Interface Management Information Base for DOCSIS Compliant Cable Modems and Cable Modem Termination Systems", RFC 3083, March 2001.
- [RFC 3410] J. Case, R. Mundy, D. Partain, B. Stewart, Introduction and Applicability Statements for Internet-Standard Management Framework, December 2002.
- [RFC 3411] D. Harrington, R. Presuhn, B. Wijnen, An Architecture for Describing Simple Network Management Protocol (SNMP) Management Frameworks, December 2002.
- [RFC 3412] J. Case, D. Harrington, R. Presuhn, B. Wijnen, Message Processing and Dispatching for the Simple Network Management Protocol (SNMP), December 2002.
- [RFC 3413] D. Levi, P. Meyer, B. Stewart, Simple Network Management Protocol (SNMP) Applications, December 2002.
- [RFC 3414] U. Blumenthal, B. Wijnen, User-based Security Model (USM) for version 3 of the Simple Network Management Protocol (SNMPv3), December 2002.

---

<sup>1</sup>. Added this reference per ECN OSSiv2.0-N-0173-7 by GO on 11/18/04.

**[RFC 3415]** B. Wijnen, R. Presuhn, K. McCloghrie, View-based Access Control Model (VACM) for the Simple Network Management Protocol (SNMP), December 2002.

**[RFC 3416]** R. Presuhn, Ed., Version 2 of the Protocol Operations for the Simple Network Management Protocol (SNMP), December 2002.

**[RFC 3417]** R. Presuhn, Ed., Transport Mappings for the Simple Network Management Protocol (SNMP), December 2002.

**[RFC 3418]** R. Presuhn, Ed., Management Information Base (MIB) for the Simple Network Management Protocol (SNMP), December 2002.

**[RFC 3423]** Zhang K, and E. Elkin, "XACCT's Common Reliable Accounting for Network Element (CRANE), Protocol Specification Version 1.0", RFC 3423, November, 2002.<sup>1</sup>

**[SYSLOG]** R. C. Lonvick, "The BSD syslog Protocol", Informational RFC 3164, August 2001.<sup>2</sup>

---

<sup>1</sup>. Added this reference per ECN OSSiv2.0-N-0173-7 by GO on 11/18/04.

<sup>2</sup>. Added reference per ECN OSSiv2.0-N-03.0117-2 by GO on 2/19/04.

### 3 Glossary (informative)

**Active Service Flow** An admitted Service Flow from the CM to the CMTS which is available for packet transmission.

**Address Resolution Protocol (ARP)** A protocol of the IETF for converting network addresses to 48-bit Ethernet addresses.

**Admitted Service Flow** A Service Flow, either provisioned or dynamically signaled, which is authorized and for which resources have been reserved but is not active.

**Allocation** A group of contiguous mini-slots in a MAP which constitute a single transmit opportunity.

**American National Standards Institute (ANSI)** A US standards body.

**Asynchronous Transfer Mode (ATM)** A protocol for the transmission of a variety of digital signals using uniform 53-byte cells.

**A-TDMA** DOCSIS 2.0 TDMA mode (as distinguished from DOCSIS 1.x TDMA).

**Authorization Module** The authorization module is an abstract module that the CMTS can contact to authorize Service Flows and Classifiers. The authorization module tells the CMTS whether the requesting CM is authorized for the resources it is requesting.

**Availability** In cable television systems, availability is the long-term ratio of the actual RF channel operation time to scheduled RF channel operation time (expressed as a percent value) and is based on a bit error rate (BER) assumption.

**Bandwidth Allocation Map** The MAC Management Message that the CMTS uses to allocate transmission opportunities to CMs.

**Bridge Protocol Data Unit (BDU)** Spanning tree protocol messages as defined in [ISO/IEC10038].

**Broadcast Addresses** A predefined destination address that denotes the set of all data network service access points.

**Burst** A single continuous RF signal from the upstream transmitter, from transmitter on to transmitter off.

**Burst Error Second** Any Errored Second containing at least 100 errors.

**Cable Modem (CM)** A modulator-demodulator at subscriber locations intended for use in conveying data communications on a cable television system.

**Cable Modem Termination System (CMTS)** Cable modem termination system, located at the cable television system head-end or distribution hub, which provides complementary functionality to the cable modems to enable data connectivity to a wide-area network.

**Cable Modem Termination System - Network Side Interface (CMTS-NSI)** The interface, defined in [DOCSIS 1], between a CMTS and the equipment on its network side.

**Cable Modem to CPE Interface (CMCI)** The interface, defined in [DOCSIS 4], between a CM and CPE.

**Carrier Hum Modulation** The peak-to-peak magnitude of the amplitude distortion relative to the RF carrier signal level due to the fundamental and low-order harmonics of the power-supply frequency.

**Carrier-to-Noise Ratio (C/N or CNR)** The ratio of signal power to noise power in the defined measurement bandwidth. For digital modulation,  $CNR = E_s/N_0$ , the energy-per-symbol to noise-density ratio; the signal power is measured in the occupied bandwidth, and the noise power is normalized to the modulation-rate bandwidth. For video, the measurement bandwidth is 4 MHz.

**CCCM** CPE Controlled Cable Modem. Refer to the DOCSIS Cable Modem to Customer Premise Equipment Interface (CMCI) specification.

**Channel** The frequency spectrum occupied by a signal. Usually specified by center frequency and bandwidth parameters.

**Chip** Each of the 128 bits comprising the S-CDMA spreading codes.

**Chip Duration** The time to transmit one chip of the S-CDMA spreading code. The inverse of the chip rate.

**Chip Rate** The rate at which individual chips of the S-CDMA spreading codes are transmitted. (1280 to 5120 kHz)

**Classifier** A set of criteria used for packet matching according to TCP, UDP, IP, LLC, and/or 802.1P/Q packet fields. A classifier maps each packet to a Service Flow. A Downstream Classifier is used by the CMTS to assign packets to downstream service flows. An Upstream Classifier is used by the CM to assign packets to upstream service flows.

**Code Hopping Matrix** A shifted version of the reference code matrix (see below) that is used when code hopping is employed to vary the codes used by each CM. The Code Hopping Matrix is either 128 rows by 128 columns (when all 128 codes are active) or is 127 rows by 128 columns (when less than 128 codes are active in the S-CDMA spreader-on frame). When less than 128 codes are active, Code 0 (all ones) is deleted from the matrix, but all remaining codes are still cycled through even if less than 127 codes are active in a frame.

**Composite Second Order Beat (CSO)** The peak of the average level of distortion products due to second-order non-linearities in cable system equipment.

**Composite Triple Beat (CTB)** The peak of the average level of distortion components due to third-order non-linearities in cable system equipment.

**Cross-Modulation** A form of television signal distortion where modulation from one or more television channels is imposed on another channel or channels.

**Customer** See End User.

**Customer Premises Equipment (CPE)** Equipment at the end user's premises; MAY be provided by the end user or the service provider.

**Data Link Layer** Layer 2 in the Open System Interconnection (OSI) architecture; the layer that provides services to transfer data over the transmission link between open systems.

**Distribution Hub** A location in a cable television network which performs the functions of a head-end for customers in its immediate area, and which receives some or all of its television program material from a Master Head-end in the same metropolitan or regional area.

**Downstream** In cable television, the direction of transmission from the head-end to the subscriber.

**Drop Cable** Coaxial cable that connects to a residence or service location from a directional coupler (tap) on the nearest coaxial feeder cable.

**Dynamic Host Configuration Protocol (DHCP)** An Internet protocol used for assigning network-layer (IP) addresses.

**Dynamic Range** The ratio between the greatest signal power that can be transmitted over a multichannel analog transmission system without exceeding distortion or other performance limits, and the least signal power that can be utilized without exceeding noise, error rate or other performance limits.

**Electronic Industries Association (EIA)** A voluntary body of manufacturers which, among other activities, prepares and publishes standards.

**End User** A human being, organization, or telecommunications system that accesses the network in order to communicate via the services provided by the network.

**Engineering Change Notice** The final step in the procedure to change specifications.

**Engineering Change Order** The second step in the procedure to change specifications. DOCSIS posts ECO to web site EC table and ECO page (with indication of ECO Comment Deadline). DOCSIS issues ECO announcement to DOCSIS-announce and working group mail lists (with indication of ECO Comment Deadline).

**Engineering Change Request** The first step in the procedure to change specifications. DOCSIS issues ECR number, posts to web site EC table and ECR page. DOCSIS sends ECR to subject area working group mail list (and author).

**Errored Second** Any 1-sec interval containing at least one bit error.

**Extended Subsplit** A frequency division scheme that allows bidirectional traffic on a single coaxial cable. Reverse path signals come to the head-end from 5 to 42 MHz. Forward path signals go from the head-end from 50 or 54 MHz to the upper frequency limit.

**Feeder Cable** Coaxial cables that run along streets within the served area and connect between the individual taps which serve the customer drops.

**Fiber Distributed Data Interface (FDDI)** A fiber-based LAN standard.

**Fiber Node** A point of interface between a fiber trunk and the coaxial distribution.

**Forward Channel** The direction of RF signal flow away from the head-end toward the end user; equivalent to Downstream.

**Frame** See MAC frame, S-CDMA frame, and MPEG frame.

**Group Delay** The difference in transmission time between the highest and lowest of several frequencies through a device, circuit or system.

**Guard Time** Minimum time allocated between bursts in the upstream referenced from the symbol center of the last symbol of a burst to the symbol center of the first symbol of the following burst. The guard time should be at least the duration of five symbols plus the maximum system timing error.

**Harmonic Related Carrier (HRC)** A method of spacing television channels on a cable television system in exact 6-MHz increments, with all carrier frequencies harmonically related to a common reference.

**Head-end** The central location on the cable network that is responsible for injecting broadcast video and other signals in the downstream direction. See also Master Head-End, Distribution Hub.

**Header** Protocol control information located at the beginning of a protocol data unit.

**High Frequency (HF)** Used in this document to refer to the entire subsplit (5-30 MHz) and extended subsplit (5-42 MHz) band used in reverse channel communications over the cable television network.

**High Return** A frequency division scheme that allows bi-directional traffic on a single coaxial cable. Reverse channel signals propagate to the head-end above the downstream passband.

**Hum Modulation** Undesired modulation of the television visual carrier by the fundamental or low-order harmonics of the power supply frequency, or other low-frequency disturbances.

**Hybrid Fiber/Coax (HFC) System** A broadband bidirectional shared-media transmission system using fiber trunks between the head-end and the fiber nodes, and coaxial distribution from the fiber nodes to the customer locations.

**Incremental Related Carriers (IRC)** A method of spacing NTSC television channels on a cable television system in which all channels except 5 and 6 correspond to the standard channel plan, used to reduce composite triple beat distortions.

**Institute of Electrical and Electronic Engineers (IEEE)** A voluntary organization which, among other things, sponsors standards committees and is accredited by the American National Standards Institute.

**International Electrotechnical Commission (IEC)** An international standards body.

**International Organization for Standardization (ISO)** An international standards body, commonly known as the International Standards Organization.

**Internet Control Message Protocol (ICMP)** An Internet network-layer protocol.

**Internet Engineering Task Force (IETF)** A body responsible, among other things, for developing standards used in the Internet.

**Internet Group Management Protocol (IGMP)** A network-layer protocol for managing multicast groups on the Internet

**Impulse Noise** Noise characterized by non-overlapping transient disturbances.

**Information Element** The fields that make up a MAP and define individual grants, deferred grants, etc.

**Internet Protocol (IP)** An Internet network-layer protocol.

**Interval Usage Code** A field in MAPs and UCDs to link burst profiles to grants.

**Latency** The time, expressed in quantity of symbols, taken for a signal element to pass through a device.

**Layer** A subdivision of the Open System Interconnection (OSI) architecture, constituted by subsystems of the same rank

**Link Layer** See Data Link Layer.

**Local Area Network (LAN)** A non-public data network in which serial transmission is used for direct data communication among data stations located on the user's premises.

**Logical Link Control (LLC) procedure** In a local area network (LAN) or a Metropolitan Area Network (MAN), that part of the protocol that governs the assembling of data link layer frames and their exchange between data stations, independent of how the transmission medium is shared.

**Logical (Upstream) Channel** A MAC entity identified by a unique channel ID and for which bandwidth is allocated by an associated MAP message. A physical upstream channel may support multiple logical upstream channels. The associated UCD and MAP messages completely describe the logical channel.

**MAC Frame** MAC header plus optional PDU.

**MAC Service Access Point** An attachment to a MAC-sublayer domain.

**MAP** See Bandwidth Allocation Map.

**Master Head-End** A head-end which collects television program material from various sources by satellite, microwave, fiber and other means, and distributes this material to Distribution Hubs in the same metropolitan or regional area. A Master Head-End MAY also perform the functions of a Distribution Hub for customers in its own immediate area.

**Mean Time to Repair (MTTR)** In cable television systems, the MTTR is the average elapsed time from the moment a loss of RF channel operation is detected up to the moment the RF channel operation is fully restored.

**Media Access Control (MAC) address** The "built-in" hardware address of a device connected to a shared medium.

**Media Access Control (MAC) procedure** In a subnetwork, that part of the protocol that governs access to the transmission medium independent of the physical characteristics of the medium, but taking into account the topological aspects of the subnetworks, in order to enable the exchange of data between nodes. MAC procedures include framing, error protection, and acquiring the right to use the underlying transmission medium.

**Media Access Control (MAC) sublayer** The part of the data link layer that supports topology-dependent functions and uses the services of the Physical Layer to provide services to the logical link control (LLC) sublayer.

**Micro-reflections** Echoes in the forward transmission path due to departures from ideal amplitude and phase characteristics.

**Mid Split** A frequency division scheme that allows bi-directional traffic on a single coaxial cable. Reverse channel signals propagate to the head-end from 5 to 108 MHz. Forward path signals go from the head-end from 162 MHz to the upper frequency limit. The duplex crossover band is located from 108 to 162 MHz.

**Mini-Slot** A "mini-slot" is an integer multiple of 6.25-microsecond increments.

**Modulation Rate** The signaling rate of the upstream modulator (1280 to 5120 kHz). In S-CDMA, the chip rate. In TDMA, the channel symbol rate.

**Moving Picture Experts Group (MPEG)** A voluntary body which develops standards for digital compressed moving pictures and associated audio.

**Multipoint Access** User access in which more than one terminal equipment is supported by a single network termination.

**Multipoint Connection** A connection among more than two data network terminations.

**National Cable & Telecommunications Association (NCTA)** A voluntary association of cable television operators which, among other things, provides guidance on measurements and objectives for cable television systems in the USA.

**National Television Systems Committee (NTSC)** Committee which defined the analog color television broadcast standard used today in North America.

**Network Layer** Layer 3 in the Open Systems Interconnection (OSI) architecture; the layer that provides services to establish a path between open systems.

**Network Management** The functions related to the management of data link layer and physical layer resources and their stations across the data network supported by the hybrid fiber/coax system.

**Number Of Allocated Codes** The total number of codes which a single CM uses in a single S-CDMA frame. This number is determined by the size of the grants in minislots and the mapping of these minislots to S-CDMA frames (note that a CM may receive multiple grants which are mapped to a single S-CDMA frame). The number of allocated codes can be in the range of the number of Codes per Mini-slot to the number of active codes, and may vary from frame to frame, but is constant within an S-CDMA frame.

**Open Systems Interconnection (OSI)** A framework of ISO standards for communication between different systems made by different vendors, in which the communications process is organized into seven different categories that are placed in a layered sequence based on their relationship to the user. Each layer uses the layer immediately below it and provides a service to the layer above. Layers 7 through 4 deal with end-to-end communication between the message source and destination, and layers 3 through 1 deal with network functions.

**Organizationally Unique Identifier (OUI)** A 3-octet IEEE assigned identifier that can be used to generate Universal LAN MAC addresses and Protocol Identifiers per ANSI/IEEE Std 802 for use in Local and Metropolitan Area Network applications.

**Packet Identifier (PID)** A unique integer value used to identify elementary streams of a program in a single- or multi-program MPEG-2 stream.

**Partial Grant** A grant that is smaller than the corresponding bandwidth request from the CM.

**Payload Header Suppression** The suppression of the header in a payload packet. (*e.g.*, the suppression of the Ethernet header in forwarded packets)

**Payload Unit Start Indicator (PUSI)** A flag in an MPEG header. A value of 1 indicates the presence of a pointer field as the first byte of the payload.

**Physical (PHY) Layer** Layer 1 in the Open System Interconnection (OSI) architecture; the layer that provides services to transmit bits or groups of bits over a transmission link between open systems and which entails electrical, mechanical and handshaking procedures.

**Physical Media Dependent (PMD) Sublayer** A sublayer of the Physical Layer which is concerned with transmitting bits or groups of bits over particular types of transmission link between open systems and which entails electrical, mechanical and handshaking procedures.

**Primary Service Flow** All CMs have a Primary Upstream Service Flow and a Primary Downstream Service Flow. They ensure that the CM is always manageable and they provide a default path for forwarded packets that are not classified to any other Service Flow

**Program-Specific Information (PSI)** In MPEG-2, normative data necessary for the demultiplexing of Transport Streams and the successful regeneration of programs.

**Program Stream** In MPEG-2, a multiplex of variable-length digital video and audio packets from one or more program sources having a common time-base.

**Protocol** A set of rules and formats that determines the communication behavior of layer entities in the performance of the layer functions.

**Provisioned Service Flow** A Service Flow that has been provisioned as part of the Registration process, but has not yet been activated or admitted. It may still require an authorization exchange with a policy module or external policy server prior to admission.

**QoS Parameter Set** The set of Service Flow Encodings that describe the Quality of Service attributes of a Service Flow or a Service Class.

**Quadrature Amplitude Modulation (QAM)** A method of modulating digital signals onto a radio-frequency carrier signal involving both amplitude and phase coding.

**Quadrature Phase-Shift Keying (QPSK)** A method of modulating digital signals onto a radio-frequency carrier signal using four phase states to code two digital bits.

**Radio Frequency (RF)** In cable television systems, this refers to electromagnetic signals in the range 5 to 1000 MHz.

**Reference Code Matrix** A 128-by-128 element matrix formed by stacking successive spreading codes on top of each other, i.e., the bottom row of the reference code matrix is Code 0 (all ones) and the top row is Code 127. The code elements are placed in the matrix from right to left, i.e., the right-most column of the code matrix is the first element of each code, and the left-most column is the last element of each code.

**Request For Comments (RFC)** A technical policy document of the IETF; these documents can be accessed on the World Wide Web at <http://www.rfc-editor.org/>.

**Return Loss** The parameter describing the attenuation of a guided wave signal (*e.g.*, via a coaxial cable) returned to a source by a device or medium resulting from reflections of the signal generated by the source.

**Reverse Channel** The direction of signal flow towards the head-end, away from the subscriber; equivalent to Upstream.

**Routing Information Protocol (RIP)** A protocol of the IETF for exchanging routing information about IP networks and subnets.

**S-CDMA Frame** A two dimensional representation of mini-slots, where the dimensions are codes and time. An S-CDMA frame is composed of  $p$  active codes in the code dimension and  $K$  spreading intervals in the time dimension. Within the S-CDMA frame, the number of mini-slots is determined by the number of codes per mini-slot ( $c$ ) and  $p$ , the number of active codes in the S-CDMA frame. Each S-CDMA frame thus contains  $s$  mini-slots, where  $s=p/c$ , and each mini-slot contains  $c*K$  information (QAM) symbols.

**S-CDMA Subframe** A subframe is a vertically-smaller subset of an S-CDMA frame over which interleaving is performed, where the vertical dimension is  $R'$  codes, where  $R' \leq p$  (the number of active codes). A subframe is generally used to constrain the interleaving region to be of a similar size to the Reed-Solomon codeword in order to provide protection from impulse noise.

**Security Association Identifier** A Baseline Privacy security identifier between a CMTS and a CM.

**Service Access Point (SAP)** The point at which services are provided by one layer, or sublayer to the layer immediately above it.

**Service Class** A set of queuing and scheduling attributes that is named and that is configured at the CMTS. A Service Class is identified by a Service Class Name. A Service Class has an associated QoS Parameter Set.

**Service Class Name** An ASCII string by which a Service Class may be referenced in modem configuration files and protocol exchanges.

**Service Data Unit (SDU)** Information that is delivered as a unit between peer service access points

**Service Flow** A MAC-layer transport service which:

- Provides unidirectional transport of packets from the upper layer service entity to the RF;
- Shapes, polices, and prioritizes traffic according to QoS traffic parameters defined for the Flow.

**Service Flow Identifier (SFID)** An identifier assigned to a service flow by the CMTS. [32 bits]

**Service Flow Reference** A message parameter in Configuration Files and Dynamic Service MAC messages used to associate Classifiers and other objects in the message with the Service Flow Encodings of a requested Service Flow.

**Service Identifier (SID)** A Service Flow Identifier assigned by the CMTS (in addition to a Service Flow Identifier) to an Active or Admitted Upstream Service Flow. [14 bits]

**Simple Network Management Protocol (SNMP)** A network management protocol of the IETF.

**Spectrum Management System (SMS)** A system, defined in [SMS], for managing the RF cable spectrum.

**Spread Symbol Or Spreading Interval** At the output of the spreader, a group of 128 chips which comprise a single S-CDMA spreading code, and are the result of spreading a single information (QAM) symbol. One spread symbol = one spreading interval = 128 chips = one information (QAM) symbol.

**Spreader-Off S-CDMA Burst** A transmission from a single CM in a spreader-off frame on an S-CDMA channel defined by the time in which the CM's transmitter turns on to the time it turns off. There will generally be several spreader off bursts in a spreader-off frame.

**Spreader-Off S-CDMA Frame** TDMA mini-slots on an S-CDMA channel in which the spreader is turned off. These are differentiated from TDMA bursts on a TDMA channel in that, for example, the number of mini-slots per spreader-off SCDMA burst frame is constrained to be the same as the number of mini-slots in a spreader-on SCDMA frame (s). This number of mini-slots will be less than the number of TDMA mini-slots in a TDMA channel over the same time interval if the number of active codes is significantly less than 128.

**Spreading Interval** Time to transmit a single complete S-CDMA spreading code, equal to the time to transmit 128 chips. Also, time to transmit a single information (QAM) symbol on an S-CDMA channel. See also Spread Symbol.

**Sub-Channel** A logical channel sharing same upstream spectrum (RF center frequency and RF channel) with other logical channels.

**Sublayer** A subdivision of a layer in the Open System Interconnection (OSI) reference model.

**Subnetwork** Subnetworks are physically formed by connecting adjacent nodes with transmission links.

**Subnetwork Access Protocol (SNAP)** An extension of the LLC header to accommodate the use of 802-type networks as IP networks.

**Subscriber** See End User.

**Subsplit** A frequency-division scheme that allows bi-directional traffic on a single cable. Reverse path signals come to the head-end from 5 to 30 (up to 42 on Extended Subsplit systems) MHz. Forward path signals go from the head-end from 50 or 54 MHz to the upper frequency limit of the cable network.

**Subsystem** An element in a hierarchical division of an Open System that interacts directly with elements in the next higher division or the next lower division of that open system.

**System Clock Period** The period of the 10.24 MHz system clock, nominally 97.65625 ns.

**Systems Management** Functions in the application layer related to the management of various open systems Interconnection (OSI) resources and their status across all layers of the OSI architecture.

**Tick** 6.25-microsecond time intervals that are the reference for upstream mini-slot definition and upstream transmission times.

**Tilt** Maximum difference in transmission gain of a cable television system over a given bandwidth (typically the entire forward operating frequency range).

**Transit Delay** The time difference between the instant at which the first bit of a PDU crosses one designated boundary, and the instant at which the last bit of the same PDU crosses a second designated boundary.

**Transmission Control Protocol (TCP)** A transport-layer Internet protocol which ensures successful end-to-end delivery of data packets without error.

**Transmission Convergence Sublayer** A sublayer of the Physical Layer that provides an interface between the Data Link Layer and the PMD Sublayer.

**Transmission Link** The physical unit of a subnetwork that provides the transmission connection between adjacent nodes.

**Transmission Medium** The material on which information signals may be carried; *e.g.*, optical fiber, coaxial cable, and twisted-wire pairs.

**Transmission System** The interface and transmission medium through which peer physical layer entities transfer bits.

**Transmit On/Off Ratio** In multiple-access systems, the ratio between the signal powers sent to line when transmitting and when not transmitting.

**Transport Stream** In MPEG-2, a packet-based method of multiplexing one or more digital video and audio streams having one or more independent time bases into a single stream.

**Trivial File-Transfer Protocol (TFTP)** An Internet protocol for transferring files without the requirement for user names and passwords that is typically used for automatic downloads of data and software.

**Trunk Cable** Cables that carry the signal from the head-end to groups of subscribers. The cables can be either coaxial or fiber depending on the design of the system.

**Type/Length/Value (TLV)** An encoding of three fields, in which the first field indicates the type of element, the second the length of the element, and the third field the value.

**Upstream** The direction from the subscriber location toward the head-end.

**Upstream Channel Descriptor (UCD)** The MAC Management Message used to communicate the characteristics of the upstream physical layer to the cable modems.

## 4 Abbreviations

<b>ANSI</b>	American National Standards Institute
<b>ARP</b>	Address Resolution Protocol
<b>ASCII</b>	American Standard Code for Information Interchange
<b>ATM</b>	Asynchronous Transfer Mode
<b>BPDU</b>	Bridge Protocol Data Unit
<b>BPI</b>	Baseline Privacy Interface
<b>CA</b>	Certificate Authority
<b>CATV</b>	Community Access Television, Cable Television
<b>CCCM</b>	CPE Controlled Cable Modem
<b>CM</b>	Cable Modem
<b>CMCI</b>	Cable Modem to CPE Interface
<b>CMTS</b>	Cable Modem Termination System
<b>CMTS-NSI</b>	Cable Modem Termination System - Network Side Interface
<b>CPE</b>	Customer Premises Equipment
<b>CSA</b>	Code Signing Agent
<b>CVC</b>	Code Verification Certificate
<b>DCC</b>	Dynamic Channel Change
<b>DES</b>	Digital Encryption Standard
<b>DH</b>	Diffie-Helman
<b>DHCP</b>	Dynamic Host Configuration Protocol
<b>DOCSIS 1.x</b>	Abbreviation for “DOCSIS 1.0 or 1.1”
<b>DOCSIS</b>	Data-Over-Cable Service Interface Specifications
<b>ECN</b>	Engineering Change Notice
<b>ECO</b>	Engineering Change Order
<b>ECR</b>	Engineering Change Request
<b>FDDI</b>	Fiber Distributed Data Interface

**FTP** File Transfer Protocol

**HFC** Hybrid Fiber/Coax (HFC) System

**ICMP** Internet Control Message Protocol

**IE** Information Element

**IEEE** Institute of Electrical and Electronic Engineers

**IETF** Internet Engineering Task Force

**IGMP** Internet Group Management Protocol

**IP** Internet Protocol

**IPCDN** Internet Protocol over Cable Data Network (IETF working group)

**IPDR** Internet Protocol Detail Record

**IUC** Interval Usage Code

**LAN** Local Area Network

**LLC** Logical Link Control procedure

**MAC** Media Access Control procedure

**MIB** Management Information Base

**MPEG** Moving Picture Experts Group

**MSAP** MAC Service Access Point

**MSO** Multiple System Operator

**MTA** Multimedia Terminal Adapter

**NMS** Network Management System

**OID** Object Identifier

**OSI** Open Systems Interconnection

**OSSI** Operations Support System Interface

**OUI** Organization Unique Identifier

**PCI** Peripheral Component Interconnect

**PDU** Payload Data Unit

**PHS** Payload Header Suppression

---

<b>PHY</b>	Physical (PHY) Layer
<b>PID</b>	Packet Identifier
<b>PMD</b>	Physical Media Dependent (PMD) Sublayer
<b>PSI</b>	Program-Specific Information
<b>QAM</b>	Quadrature Amplitude Modulation
<b>QoS</b>	Quality of Service
<b>QPSK</b>	Quadrature Phase-Shift Keying
<b>RFC</b>	Request for Comments
<b>RFI</b>	Radio Frequency Interface
<b>RO</b>	Read Only
<b>RW</b>	Read/Write
<b>SAID</b>	Security Association Identifier
<b>SCN</b>	Service Class Name
<b>SF</b>	Service Flow
<b>SFID</b>	Service Flow Identifier
<b>SID</b>	Service Identifier
<b>SLA</b>	Service Level Agreement
<b>SMI</b>	Structure of Management Information
<b>SMS</b>	Spectrum Management System
<b>SNAP</b>	Subnetwork Access Protocol
<b>SNMP</b>	Simple Network Management Protocol
<b>SNMPv1</b>	Version 1 of the Simple Network Management Protocol
<b>SNMPv2c</b>	Version 2C of the Simple Network Management Protocol
<b>SNMPv3</b>	Version 3 of the Simple Network Management Protocol
<b>STP</b>	Spanning Tree Protocol
<b>TCP</b>	Transmission Control Protocol
<b>TFTP</b>	Trivial File-Transfer Protocol

**TLV** Type/Length/Value

**UCC** Upstream Channel Change

**UDP** User Datagram Protocol

**USB** Universal Synchronous Bus

**USM** User-based Security Model (USM) for version 3 of the Simple Network Management Protocol

**VACM** View-based Access Control Model for the simple Network Management Protocol (SNMP)

**VoIP** Voice over Internet Protocol

**XML** Extensible Markup Language

## 5 SNMP Protocol<sup>1</sup>

The SNMPv3 protocol has been selected as the communication protocol for management of data-over-cable services and **MUST** be implemented. Although SNMPv3 offers advantages, many management systems may not be capable of supporting SNMPv3 agents; therefore, support of SNMPv1 and SNMPv2c is also required and **MUST** be implemented.

The following IETF SNMP-related RFCs **MUST** be implemented:

[RFC 3410]	Introduction and Applicability Statements for Internet Standard Management Framework
[RFC 3411]	An Architecture for Describing Simple Network Management Protocol (SNMP) Management Frameworks
[RFC 3412]	Message Processing and Dispatching for the Simple Network Management Protocol (SNMP)
[RFC 3413]	Simple Network Management Protocol (SNMP) Applications
[RFC 3414]	User-based Security Model (USM) for version 3 of the Simple Network Management Protocol (SNMPv3)
[RFC 3415]	View-based Access Control Model (VACM) for the simple Network Management Protocol (SNMP)
[RFC 3416]	Version 2 of the Protocol Operations for the Simple Network Management Protocol (SNMP)
[RFC 3417]	Transport Mappings for the Simple Network Management Protocol (SNMP)
[RFC 3418]	Management Information Base for the Simple Network Management Protocol (SNMP)
[RFC 2576]	Coexistence between Version 1, Version 2, and Version 3 of the Internet-standard Network Management Framework
[RFC 1901]	Introduction to Community-based SNMPv2 (Informational)
[RFC 1157]	A Simple Network Management Protocol

For support of SMIV2, the following IETF SNMP-related RFCs **MUST** be implemented:

[RFC 2578]	Structure of Management Information Version 2 (SMIV2)
[RFC 2579]	Textual Conventions for SMIV2
[RFC 2580]	Conformance Statements for SMIV2

For support of Diffie-Helman Key exchange for the User Based Security Model, the following IETF SNMP RFC **MUST** be implemented:

[RFC 2786]	Diffie-Helman USM Key Management Information Base and Textual Convention
------------	--

### 5.1 SNMP Mode for DOCSIS 2.0-compliant CMTSes

DOCSIS 2.0-compliant CMTSes **MUST** support SNMPv1, SNMPv2c, and SNMPv3 and SNMP coexistence as described by [RFC 3411] through [RFC 3415] and [RFC 2576], and **MAY** support SNMPv1 and SNMPv2c vendor proprietary solutions, including SNMP v1/v2c NmAccess mode, with the following requirements:

<sup>1</sup> Revised the matrices and added one below per ECN OSS2-N-03067 by GO on 11/17/03.

- a) DOCSIS 2.0 compliant CMTS MUST operate in SNMP coexistence mode (not using docsDevNmAccessTable); additionally, SNMP coexistence mode MAY be disabled, by vendor proprietary configuration control, to allow the CMTS to support SNMPv1, SNMPv2c vendor proprietary solutions, including SNMP v1/v2c NmAccess mode (using docsDevNmAccessTable).
- b) CMTSes in SNMPv1/v2c NmAccess mode (using DOCS-CABLE-DEVICE-MIB docsDevNmAccessTable) MUST operate subject to the following requirements and limitations:
  - Only SNMPv1/v2c packets are processed
  - SNMPv3 packets are dropped
  - The docsDevNmAccessTable controls SNMP access and SNMP trap destinations as described in [RFC 2669]
  - None of the SNMPv3 MIBs as defined in [RFC 3411] through [RFC 3415] and [RFC 2576] are accessible.<sup>1</sup>
- c) CMTS SNMPv1, SNMPv2c vendor-proprietary solutions MUST operate subject to the following requirements and limitations:
  - Only SNMPv1/v2c packets are processed
  - SNMPv3 packets are dropped
  - Vendor-proprietary solutions MUST control SNMP access and SNMP trap destinations
  - None of the SNMPv3 MIBs as defined in [RFC 3411] through [RFC 3415] and [RFC 2576] are accessible.<sup>2</sup>
- d) CMTS SNMP Coexistence Mode MUST operate subject to the following requirements and limitations:
  - SNMP v1/v2c/v3 Packets are processed as described by in [RFC 3411] through [RFC 3415] and [RFC 2576].
  - docsDevNmAccessTable is not accessible. (If the CMTS also support DOCS-CABLE-DEVICE-MIB)
  - Access control and trap destinations are determined by the SNMP-COMMUNITY-MIB, SNMP-NOTIFICATION-MIB, SNMP-TARGET-MIB, SNMP-VIEW-BASED-ACM-MIB, SNMP-COMMUNITY-MIB, and SNMP-USER-BASED-SM-MIB
  - The SNMP-COMMUNITY-MIB controls the translation of SNMPv1/v2c packet community string into securityName which select entries in the SNMP-USER-BASED-SM-MIB. Access control is provided by the SNMP-VIEW-BASED-ACM-MIB.
  - The SNMP-USER-BASED-SM-MIB and SNMP-VIEW-BASED-ACM-MIB control SNMPv3 packets
  - Trap destinations are specified in the SNMP-TARGET-MIB and SNMP-NOTIFICATION-MIB

### 5.1.1 Key Change Mechanism

DOCSIS 2.0-compliant CMTSes SHOULD use the key-change mechanism specified in [RFC 2786]. CMTSes MUST always support the key-change mechanism described in [RFC 3414] to comply with the industry wide SNMPv3 standard.

---

<sup>1</sup>. Revised this bullet statement per ECN OSS2-N-03014 by GO on 02/26/03.

<sup>2</sup>. Revised this bullet statement per ECN OSS2-N-03014 by GO on 02/26/03.

## 5.2 SNMP Mode for DOCSIS 2.0-compliant CMs

DOCSIS 2.0-compliant CMs (in 2.0, 1.1, and 1.0 modes) **MUST** support SNMPv1, SNMPv2c, and SNMPv3 as well as SNMP-coexistence ([RFC 2576]) subject to the following requirements:

- a) Before completion of registration, the CM **MUST** operate as follows (in some CCCM implementations, SNMP access **MAY** be made inaccessible from the CPE for security reasons; in such implementation, the access to similar set of MIB objects **SHOULD** be provided by a diagnostic utility as described in Section 9.3):
  - IP connectivity between the CM and the SNMP management station **MUST** be implemented as described in Section 9.1
  - The CM **MUST** provide read-only access to the following MIB objects:
    - docsIfDownChannelFrequency
    - docsIfDownChannelPower
    - docsIfCmStatusValue
    - docsDevServerBootState
    - docsDevEventTable<sup>1</sup>
  - The CM **MAY** provide read-only access to the following MIB objects:
    - sysDescr
    - sysUptime
    - ifTable
    - ifXtable
    - docsIfUpChannelFrequency
    - docsIfSigQSignalQualityTable
    - docsIfCmCmtsAddress
    - docsIfCmStatusTxPower
    - docsDevSwCurrentVers
  - The CM **MAY** provide access to additional information, but **MUST NOT** reveal:
    - CoS and QoS service flow information
    - configuration file contents
    - Secure Software Download information
    - Key authentication and encryption material
    - SNMP management and control
    - DOCSIS functional modules statistics and configuration
    - Network provisioning hosts and servers IPs addresses
  - Access from the RF interface **MUST NOT** be allowed
  - SNMPv1/v2c packets are accepted which contain any community string
  - All SNMPv3 packets are dropped
  - The registration request **MUST** be sent and registration **MUST** be completed after successful processing of all MIB elements in the config file, but before beginning the calculation of the public values in the USMDHKickstart Table.
- b) The content of the CM config file determines the CM SNMP mode after registration.
  - CM is in SNMPv1/v2c docsDevNmAccess mode if the CM configuration file contains **ONLY** docsDevNmAccessTable setting for SNMP access control
  - If the configuration file does not contain SNMP access control items (docsDevNmAccessTable or snmpCommunityTable or TLV 34.1/34.2 or TLV38), the CM is in NmAccess mode

<sup>1</sup>. Added this bullet per ECN OSS2-N-02193 by GO on 02/11/03.

- CM is in SNMP coexistence mode if the CM configuration file contains snmpCommunityTable setting and/or TLV type 34.1 and 34.2. and/or TLV type 38. In this case, any entries made to the docsDevNmAccessTable are ignored.
- c) After completion of registration, the modem operates in one of 2 modes. The operating mode is determined by the contents of the config file as described above.

#### **SNMPv1/v2c NmAccess Mode (using docsDevNmAccess Table)**

- Only SNMPv1/v2c packets are processed
- SNMPv3 packets are dropped
- docsDevNmAccessTable controls access and trap destinations as described in [RFC 2669]
- None of the SNMPv3 MIBs as defined in [RFC 3411] through [RFC 3415] and [RFC 2576] are accessible.

#### **SNMP Coexistence Mode**

During calculation of USMDHKickstartTable public values:

- The modem **MUST NOT** allow any SNMP access from the RF port
- The modem **MAY** continue to allow access from the CPE port with the limited access as configured by the SNMP-COMMUNITY-MIB, SNMP-TARGET-MIB, SNMP-VIEW-BASED-ACM-MIB and SNMP-USER-BASED-SM-MIB

After calculation of USMDHKickstartTable public values:

- The modem **MUST** send the cold start or warm start trap to indicate that the modem is now fully SNMPv3 manageable
  - SNMP V1/V2c/V3 Packets are processed as described by [RFC 3411] through [RFC 3415] and [RFC 2576]
  - docsDevNmAccessTable is not accessible
  - Access control and trap destinations are determined by the SNMP-COMMUNITY-MIB, SNMP-NOTIFICATION-MIB, SNMP-TARGET-MIB, SNMP-VIEW-BASED-ACM-MIB, SNMP-COMMUNITY-MIB and SNMP-USER-BASED-SM-MIB.
  - The SNMP-COMMUNITY-MIB controls the translation of SNMPv1/v2c packet community string into security name which select entries in the SNMP-USER-BASED-SM-MIB. Access control is provided by the SNMP-VIEW-BASED-ACM-MIB.
  - SNMP-USER-BASED-SM-MIB and SNMP-VIEW-BASED-ACM-MIB controls SNMPv3 packets.
  - Notification destinations are specified in the SNMP-TARGET-MIB and SNMP-NOTIFICATION-MIB.
- d) In case of failure to complete SNMPv3 initialization (i.e., NMS cannot access CM via SNMPv3 PDU), the CM is in the coexistence mode and will allow SNMPv1/v2c access if and only if the SNMP-COMMUNITY-MIB entries (and related entries) are configured.

### **5.2.1 SNMPv3 Initialization and Key changes**

DOCSIS 2.0-compliant CMs **MUST** support the “SNMPv3 Initialization” and “DH Key Changes” requirements specified in the following sections.

The DOCSIS 1.1 cable modem is designated as having "very-secure" security posture in the context of [RFC 3414] Annex A and [RFC 3415] Annex A. This means that default usmUser and vacmAccess entries defined in [RFC 3414] Annex A and [RFC 3415] Annex A **MUST NOT** be present.<sup>1</sup>

## 5.2.2 SNMPv3 Initialization

For each of up to 5 different security names, the Manager generates a pair of numbers. First, the Manager generates a random number  $R_m$ .

Then, the Manager uses the DH equation to translate  $R_m$  to a public number  $z$ . The equation is as follows:

$$z = g^{R_m} \text{ MOD } p$$

where  $g$  is from the set of Diffie-Helman parameters, and  $p$  is the prime from those parameters.

The CM configuration file is created to include the (security name, public number) pair. The CM **MUST** support a minimum of 5 pairs. For example:

```
TLV type 34.1 (SNMPv3 Kickstart Security Name) = docsisManager
TLV type 34.2 (SNMPv3 Kickstart Public Number) = z
```

The CM **MUST** support the VACM entries defined in Section 5.2.4.

During the CM boot process, the above values (security name, public number) **MUST** be populated in the `usmDhKickstartTable`.

At this point:

```
usmDhKickstartMgrPublic.1 = "z" (octet string)
usmDhKickstartSecurityName.1 = "docsisManager"
```

When `usmDhKickstartMgrPublic.n` is set with a valid value during the registration, a corresponding row is created in the `usmUserTable` with the following values:

```
usmUserEngineID: localEngineID
usmUserName: usmDhKickstartSecurityName.n value
usmUserSecurityName: usmDhKickstartSecurityName.n value
usmUserCloneFrom: ZeroDotZero
usmUserAuthProtocol: usmHMACMD5AuthProtocol
usmUserAuthKeyChange: (derived from set value)
usmUserOwnAuthKeyChange: (derived from set value)
usmUserPrivProtocol: usmDESPrivProtocol
usmUserPrivKeyChange: (derived from set value)
usmUserOwnPrivKeyChange: (derived from set value)
usmUserPublic
usmUserStorageType: permanent
usmUserStatus: active
```

**Note:** For (CM) `dhKickstart` entries in `usmUserTable`, Permanent means it **MUST** be written to but not deleted and is not saved across reboots.

After the CM has registered with the CMTS:

1. The CM generates a random number  $x_a$  for each row populated in the `usmDhKickstartTable` which has a non-zero length `usmDhKickstartSecurityName` and `usmDhKickstartMgrPublic`.

---

<sup>1</sup>. Added this paragraph per ECN OSS2-N-03067 by GO on 02/19/04.

- The CM uses DH equation to translate  $x_a$  to a public number  $c$  (for each row identified above).

$$c = g^{x_a} \text{ MOD } p$$

where  $g$  is from the set of Diffie-Helman parameters, and  $p$  is the prime from those parameters

At this point:

```
usmDhKickstartMyPublic.1 = "c" (octet string)
usmDhKickstartMgrPublic.1 = "z" (octet string)
usmDhKickstartSecurityName.1 = "docsisManager"
```

- The CM calculates shared secret  $sk$  where  $sk = z^{x_a} \text{ mod } p$ .
- The CM uses  $sk$  to derive the privacy key and authentication key for each row in `usmDhKickstartTable` and sets the values into the `usmUserTable`.

As specified in [RFC 2786], the privacy key and the authentication key for the associated username, "docsisManager" in this case, is derived from  $sk$  by applying the key derivation function PBKDF2 defined in PKCS#5 v2.0.

```
privacy key <---PBKDF2( salt = 0xd1310ba6,
                       iterationCount = 500,
                       keyLength = 16,
                       prf = id-hmacWithSHA1 )

authentication key <----PBKDF2( salt = 0x98dfb5ac,
                                iterationCount = 500,
                                keyLength = 16 (usmHMACMD5AuthProtocol),
                                prf = id-hmacWithSHA1 )
```

At this point the CM has completed its SNMPv3 initialization process and MUST allow appropriate access level to a valid securityName with the correct authentication key and/or privacy key.

DOCSIS 2.0-compliant CMs MUST properly populate keys to appropriate tables as specified by the SNMPv3-related RFCs and [RFC 2786].

- The following describes the process that the manager uses to derive the CM's unique authentication key and privacy key.

The SNMP manager accesses the contents of the `usmDhKickstartTable` using the security name of 'dhKickstart' with no authentication.

DOCSIS 2.0-compliant CMs MUST provide pre-installed entries in the USM table and VACM tables to correctly create user 'dhKickstart' of security level noAuthNoPriv that has read-only access to system group and `usmDhkickstartTable`.

The SNMP manager gets the value of the CM's `usmDhKickstartMypublic` number associated with the securityName for which the manager wants to derive authentication and privacy keys. Using the private random number, the manager can calculate the DH shared secret. From that shared secret, the manager can derive operational authentication and confidentiality keys for the securityName that the manager is going to use to communicate with the CM.

### 5.2.3 DH Key Changes

DOCSIS 2.0-compliant CMs MUST support the key-change mechanism specified in [RFC 2786].

## 5.2.4 VACM Profile

This section addresses the default VACM profile for DOCSIS CMs operating in SNMP Coexistence mode.

The following VACM entries MUST be included by default in a compliant CM:

- The system manager, with full read/write/config access:

```
vacmSecurityModel: 3 (USM)
vacmSecurityName: docsisManager
vacmGroupName: docsisManager
vacmSecurityToGroupStorageType: permanent
vacmSecurityToGroupStatus: active
```

- An operator/CSR with read/reset access to full modem:

```
vacmSecurityModel: 3 (USM)
vacmSecurityName: docsisOperator
vacmGroupName: docsisOperator
vacmSecurityToGroupStorageType: permanent
vacmSecurityToGroupStatus: active
```

- RF Monitoring with read access to RF plant statistics:

```
vacmSecurityModel: 3 (USM)
vacmSecurityName: docsisMonitor
vacmGroupName: docsisMonitor
vacmSecurityToGroupStorageType: permanent
vacmSecurityToGroupStatus: active
```

- User debugging with read access to ‘useful’ variables:

```
vacmSecurityModel: 3 (USM)
vacmSecurityName: docsisUser
vacmGroupName: docsisUser
vacmSecurityToGroupStorageType: permanent
vacmSecurityToGroupStatus: active
```

- Group name to view translations

```
vacmGroupName: docsisManager
vacmAccessContextPrefix: “
vacmAccessSecurityModel: 3 (USM)
vacmAccessSecurityLevel: AuthPriv
vacmAccessContextMatch: exact
vacmAccessReadViewName: docsisManagerView
vacmAccessWriteViewName: docsisManagerView
vacmAccessNotifyViewName: docsisManagerView
vacmAccessStorageType: permanent
vacmAccessStatus: active

vacmGroupName: docsisOperator
vacmAccessContextPrefix: “
vacmAccessSecurityModel: 3 (USM)
vacmAccessSecurityLevel: AuthPriv & AuthNoPriv
vacmAccessContextMatch: exact
vacmAccessReadViewName: docsisManagerView
vacmAccessWriteViewName: docsisOperatorWriteView
```

vacmAccessNotifyViewName: docsisManagerView  
 vacmAccessStorageType: permanent  
 vacmAccessStatus: active  
  
 vacmGroupName: docsisMonitor  
 vacmAccessContextPrefix: “  
 vacmAccessSecurityModel: 3 (USM)  
 vacmAccessSecurityLevel: AuthNoPriv  
 vacmAccessContextMatch: exact  
 vacmAccessReadViewName: docsisMonitorView  
 vacmAccessWriteViewName: “  
 vacmAccessNotifyViewName: docsisMonitorView  
 vacmAccessStorageType: permanent  
 vacmAccessStatus: active  
  
 vacmGroupName: docsisUser  
 vacmAccessContextPrefix: “  
 vacmAccessSecurityModel: 3 (USM)  
 vacmAccessSecurityLevel: AuthNoPriv  
 vacmAccessContextMatch: exact  
 vacmAccessReadViewName: docsisUserView  
 vacmAccessWriteViewName: “  
 vacmAccessNotifyViewName: “  
 vacmAccessStorageType: permanent  
 vacmAccessStatus: active

- The views:

#### docsisManagerView

subtree: 1.3.6.1 (Entire MIB)

#### docsisOperatorWriteView

subtree: docsDevBase  
 subtree: docsDevSoftware  
 subtree: docsDevEvControl  
 subtree: docsDevEvThrottleAdminStatus

#### docsisMonitorView

subtree: 1.3.6.1.2.1.1 (system)  
 subtree: docsIfBaseObjects  
 subtree: docsIfCmObjects

#### docsisUserView

subtree 1.3.6.1.2.1.1 (system)  
 subtree: docsDevBase  
 subtree: docsDevSwOperStatus  
 subtree: docsDevSwCurrentVersion  
 subtree docsDevServerConfigFile  
 subtree: docsDevEventTable  
 subtree: docsDevCpeTable  
 subtree: docsIfUpstreamChannelTable

subtree: docsIfDownstreamChannelTable  
subtree: docsIfSignalQualityTable  
subtree: docsIfCmStatusTable

DOCSIS 2.0-compliant CMs **MUST** also support additional VACM users as they are configured via an SNMP-embedded configuration file.

This page intentionally left blank.

## 6 Management Information Bases (MIBs)

This section defines the minimum set of managed objects required to support the management of CM and CMTS. Vendors MAY augment this MIB with objects from other standard or vendor-specific MIBs where appropriate.

The DOCSIS OSS 2.0 specification has priority over the IETF MIBs and all objects. Though deprecated or optional in the IETF MIB, the object can be required by this specification as mandatory. Regardless of having either a status of deprecated or optional in the IETF MIB, the CM and CMTS MUST implement MIB requirements in accordance with the OSS 2.0 specification.

If not required by this specification, deprecated objects are optional. If a CM or CMTS implements a deprecated object, the object MUST be implemented correctly according to the MIB definition. If a CM or CMTS does not implement a deprecated object, the agent MUST NOT instantiate the object and when accessed, MUST respond with the appropriate error/exception condition, such as no such object for SNMPv2c.

If not required by this specification, optional objects are optional. If a CM or CMTS implements an optional object, the object MUST be implemented correctly according to the MIB definition. If a CM or CMTS does not implement an optional object, the agent MUST NOT instantiate the object and when accessed, MUST respond with the appropriate error/exception condition, such as no such object for SNMPv2c.

If not required by this specification, obsolete objects are optional. If a CM or CMTS implements an obsolete object, the object MUST be implemented correctly according to the MIB definition. If a CM or CMTS does not implement an obsolete object, the agent MUST NOT instantiate the object and when accessed, MUST respond with the appropriate error/exception condition, such as no such object for SNMPv2c.

Section 6.1 and Section 6.2 include an overview of the MIB modules required for management of the facilities specified in the DOCSIS RFI 2.0 and BPI+ specifications.

### 6.1 IPCDN drafts and others <sup>1</sup>

**Table 6-1 IPCDN Drafts**

Reference	MIB	Applicable Device(s)
Annex J	DOCS-QOS-MIB	CM and CMTS
[IETF6]	IETF Proposed Standard RFC-version of BPI+ MIB, "draft-ietf-ipcdn-bpiplus-mib-05.txt": DOCS-BPI2-MIB	CM and CMTS
[IETF7]	IETF Proposed Standard RFC-version of USB MIB	CM only
[IETF9]	IETF Proposed Standard RFC-version of Subscriber Management MIB, "draft-ietf-ipcdn-subscriber-mib-02.txt": DOCS-SUBMGT-MIB	CMTS only
[IETF11]	IETF Proposed Standard RFC-version of RF MIB, "draft-ietf-ipcdn-docs-rfmibv2-05.txt": DOCS-IF-MIB	CM and CMTS
[Annex I]	DOCS-LOADBALANCING-MIB	CMTS only
[Annex K]	DOCS-IFEXT2-MIB	CM and CMTS

<sup>1</sup> Revised Table 6-1 per ECN OSS2-N-03021(rescinded OSS2-N-02234), OSS2-N-03023, OSS2-N-03069, OSS2-N-03067, OSSv2.0-N-04.0126-6, OSSv2.0-N-04.0139-2, and OSSv2.0-N-04.0166-3 by GO on 03/21/03, 07/11/03, 11/17/03, 3/15/04, 7/8/04, and 10/15/04.

## 6.2 IETF RFCs<sup>1</sup>

**Table 6-2 IETF RFCs**

Reference	MIB	Applicable Device(s)
[RFC 2669]	DOCSIS Cable Device MIB: DOCS-CABLE-DEVICE-MIB	CM and CMTS
[RFC 2933]	Internet Group Management Protocol MIB: IGMP-STD-MIB	CM and CMTS
[RFC 2863]	The Interfaces Group MIB using SMIv2: IF-MIB	CM and CMTS
[RFC 2665]	Ethernet Interface MIB: EtherLike-MIB	CM and CMTS
[RFC 1493]	Bridge MIB: BRIDGE-MIB	CM and CMTS
[RFC 2011]	SNMPv2 Management Information Base for the Internet Protocol using SMIv2: IP-MIB	CM and CMTS
[RFC 2013]	Management Information Base for the User Datagram Protocol using SMIv2: UDP-MIB	CM and CMTS
[RFC 3418]	Management Information Base (MIB) for the Simple Network Management Protocol (SNMP): SNMPv2-MIB	CM and CMTS
[RFC 3410] [RFC 3411] [RFC 3412] [RFC 3413] [RFC 3414] [RFC 3415] [RFC 2576]	SNMP v3 MIBs: SNMP-FRAMEWORK-MIB, SNMP-MPD-MIB, SNMP-NOTIFICATION-MIB, SNMP-TARGET-MIB, SNMP-USER-BASED-SM-MIB, SNMP-VIEW-BASED-ACM-MIB, SNMP-COMMUNITY-MIB	CM and CMTS
[RFC 2786]	RFC-2786: Diffie-Helman USM Key: SNMP-USM-DH-OBJECTS-MIB	CM and CMTS

## 6.3 Managed objects requirements<sup>2</sup>

The following sections detail any additional implementation requirements for the RFCs listed. Refer to Annex A for specific object implementation requirements.

The CM and CMTS **MUST** support a minimum of 10 available SNMP table rows unless otherwise specified by RFC or DOCSIS specification. The CM/CMTS minimum number of available SNMP table rows **SHOULD** mean rows (per table) that are available to support device configuration. CM/CMTS used (default) SNMP table row entries **MUST NOT** apply to the minimum number of available SNMP table rows.

### 6.3.1 CMTS MIB requirements

DOCSIS 2.0-compliant CMTSes **MUST** implement the Subscriber Management MIB.

<sup>1</sup> Revised Table 6-2 per ECN OSS2-N-03067 by GO on 11/17/03.

<sup>2</sup> Changed the Titles of Section 6.3.3, 6.3.10, 6.3.11, 6.3.12, 6.3.14, 6.3.15, 6.3.16, 6.3.17, 6.3.18, 6.3.19, 6.3.20, 6.3.21 per ECN OSS2-N-03067 by GO on 11/17/03.

### 6.3.2 Requirements for [RFC 2669]

[RFC 2669] MUST be implemented by DOCSIS 2.0-compliant CMs. DOCSIS 2.0-compliant CMTSes MUST implement the mandatory required objects (as specified by Annex A), and SHOULD implement the other non-mandatory required objects.

Additional requirements affecting [RFC 2669] are also found in Section 7.3, Protocol Filters.<sup>1</sup>

### 6.3.3 Requirements for DOCS-IF-MIB

DOCS-IF-MIB MUST be implemented by DOCSIS 2.0-compliant CMTSes and CMs. It replaces RFC 2670 for DOCSIS 2.0.

The docsIfDownChannelPower object-type MUST be implemented in a CMTS that provides an integrated RF up-converter. If the CMTS relies on an external up-converter, then the CMTS SHOULD implement the docsIfDownChannelPower object-type. The CMTS transmit power reported in the MIB object MUST be within 2 dB of the actual transmit power in dBmV when implemented. If transmit power management is not implemented, the MIB object will be read-only and report the value of 0 (zero).

The docsIfDownChannelPower object-type MUST be implemented in DOCSIS 2.0-conforming CMs. This object is read-only. When operated at nominal line-voltage, at normal room temperature, the reported power MUST be within 3 dB of the actual received channel power.<sup>2</sup>

For modems built based on the multi-programme television distribution used in North-America, for any 1 dB change in input power the CM MUST report a power change in the same direction that is not less than 0.5 dB and not more than 1.5 dB across the input power range from -15 dBmV to +15 dBmV.

For modems built based on the European multi-programme television distribution (Euro-DOCSIS), for any 1 dB change in input power the CM MUST report a power change in the same direction that is not less than 0.5 dB and not more than 1.5 dB across the input power range from -13 dBmV to +17 dBmV when a 256QAM downstream signal is used, and across the input power range from -17 dBmV to +13 dBmV when a 64QAM downstream signal is used.

The access of docsIfDownChannelFrequency object MUST be implemented as RW if a CMTS is in control of the downstream frequency. But if a CMTS provides IF output, docsIfDownChannelFrequency MUST be implemented as read-only and return 0.

The docsIfQosProfMaxTransmitBurst range MUST be the same as the one defined in the RFIv2.0 specification, section C.1.1.4.6 "Maximum Upstream Channel Transmit Burst Configuration Setting" which has range 0 to 65535.<sup>3</sup>

In order to be considered a valid modulation profile for assignment to an upstream channel, all entries (IUCs) in the modulation profile MUST have the same value of docsIfCmtsModChannelType. When assigning a modulation profile to an upstream channel, the value of docsIfUpChannelType and the value of docsIfCmtsModChannelType MUST match.

---

<sup>1</sup>. Added this sentence per ECN OSSv2.0-N-04.0199-3 by GO on 2/21/05.

<sup>2</sup>. Replaced this paragraph and added the two following paragraphs per ECN OSSv2.0-N-03.0112-2 by GO on 2/19/03.

<sup>3</sup>. Added this paragraph per ECN OSS2-N-02221 by GO on 02/11/03.

If a modulation profile is in use by one or more upstream channels, the value of docsIfCmtsModChannelType MUST NOT be changed. If a modulation profile is in use by one or more upstream channels, it docsIfCmtsModControl MUST NOT be set to 'destroy' or 'notInService'. Before destroying a modulation profile, or changing the value of docsIfCmtsModChannelType for a profile, the user will need to ensure that it is not currently in use by any upstream channel.

The maximum number of modulation profiles that a CMTS can support in docsIfCmtsModulationTable is vendor-specific.<sup>1</sup>

The CMTS MAY provide pre-defined modulation profiles (entries in the DOCS-IF-MIB docsIfCmtsModulationTable) for the purpose of being used by operators directly or as templates to define other modulation profiles. The pre-defined modulation profiles provided by the CMTS MAY be read-only to prevent users from accidental modifications. It should be noted that adding or creating entries with new docsIfCmtsModIntervalUsageCode values and the same docsIfCmtsModIndex value as a pre-defined modulation profile MAY result in an error.

The modulation profiles are PHY layer specific. Modulation profiles with the same value of docsIfCmtsModIndex may not be optimal for all upstream channels with different physical layer hardware. As a result, re-using modulation profiles for upstream channels with different physical layer hardware could decrease upstream performance. Therefore, SNMP set operations MAY result in an error when modulation profiles with the same value of docsIfCmtsModIndex are assigned to upstream channels with different physical layer hardware.<sup>2</sup>

If the CMTS implements the docsIfUpChannelStatus object-type, the CMTS MUST NOT allow it to be set from active(1) directly or indirectly to destroy(6). The CMTS MUST return a wrongValue error. Entries with docsIfUpChannelStatus set to active(1) are logically linked to a physical interface, not temporarily created to clone parameters.<sup>3</sup>

The CMTS MUST support the ability to configure upstream and downstream channel IDs via the DOCS-IF-MIB. To support this ability, the MIB object docsIfDownChannelId MUST be read-write and docsIfUpChannelId MUST be read-create on the CMTS. Note that the configuration of channel IDs is expected to take place prior to any modems being present on those channels, as it is likely that any CMs that are already online will re-initialize and/or attempt to use a channel other than the one intended. The CMTS MUST ensure that an upstream or downstream channel ID is unique within a MAC-Sublayer domain.<sup>4</sup>

The CMTS MUST support the objects in the docsIfCmtsUpChannelCounterTable that are described in the DOCS-IF-MIB as being optional. Note however that certain impairment events on the upstream channel (e.g. burst noise) could be indistinguishable from collisions, and hence, may be counted as such.<sup>5</sup>

#### 6.3.4 Requirements for [RFC 2863]

[RFC 2863] MUST be implemented by DOCSIS 2.0-compliant CMTSes and CMs.

---

1. Added the last three paragraphs per ECN OSS2-N-03092 by GO on 11/17/03.

2. Added the last two paragraphs per ECN OSSiv2.0-N-04.0121-3 by GO on 3/3/04.

3. Added this paragraph per ECN OSS2-N-02142 by GO on 7/8/04.

4. Added this paragraph per ECN OSSiv2.0-N-04.0201-3 by GO on 2/21/05; Revised this paragraph per ECN OSSiv2.0-N-05.0214-1 by GO on 3/15/05.

5. Added this paragraph per ECN OSSiv2.0-N-04.0202-2 by GO on 2/21/05.

The CMTS/CM ifAdminStatus object **MUST** provide administrative control over both MAC interfaces and individual channel and **MUST** be implemented as RW.

The ifType object has been assigned the following enumerated values for each instance of a Data Over Cable Service (DOCS) interface:

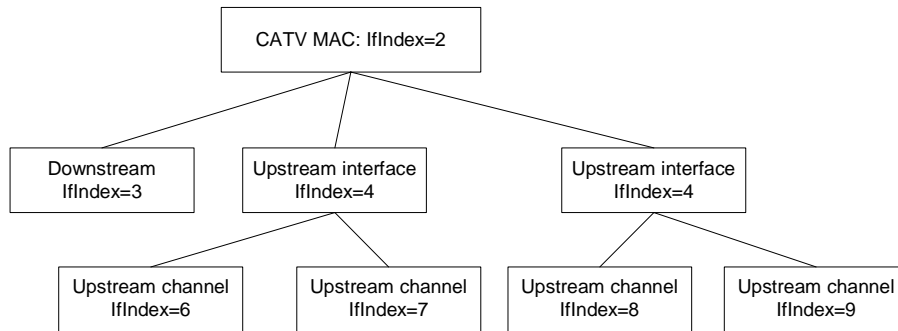
- CATV MAC interface: docsCableMacLayer (127)
- CATV downstream channel: docsCableDownstream (128)
- CATV upstream interface: docsCableUpStream (129)
- CATV upstream logical channel: docsCableUpstreamChannel (205)

#### 6.3.4.1 Interface organization and numbering

Assigned interface numbers for CATV-MAC and Ethernet (Ethernet-like interface) are used in both the NMAccessTable and IP/LLC filtering table to configure access and traffic policy at these interfaces. These configurations are generally encoded in the configuration file using TLV encoding. To avoid provisioning complexity the interface-numbering scheme **MUST** comply with the following requirements:

- A CM supports only one upstream interface. At the CM, an instance of IfEntry **MUST** exist for each CATV-MAC interface, downstream channel, upstream interface, and each LAN interface enabled. The enabling of LAN interfaces **MAY** be fixed a priori during the manufacturing process or **MAY** be determined dynamically during operation by the CM according to whether or not an interface has a CPE device attached to it.
- If the CM has multiple CPE interfaces but only one CPE interface can be enabled at any given time, the ifTable **MUST** contain only the entry corresponding to the enabled or the default CPE interface. If a MAC interface consists of more than one upstream and downstream channel, a separate instance of ifEntry **MUST** exist for each channel.
- A 2.0 CMTS supports more than one upstream logical channel per upstream interface. At the CMTS, an instance of IfEntry **MUST** exist for each CATV-MAC interface, downstream channel, upstream interface, upstream logical channel, and any other interface enabled.
- For CM/CMTS, the ifStack group ([RFC 2863]) must be implemented to identify relationships among sub-interfaces. Note that the CATV-MAC interface **MUST** exist, even though it is broken out into sub-interfaces.

The following example illustrates a MAC interface with one downstream, two upstream interfaces each with two upstream logical channels for a CMTS.

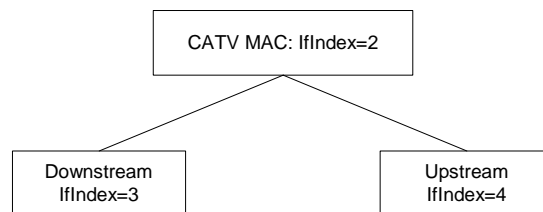


Implementation of ifStackTable for this example:

ifStackHigherLayer	ifStackLowerLayer
0	2
2	3
2	4
2	5
3	0
4	9
4	7
5	9
5	9
6	0
7	0
8	0
9	0

**Figure 6-1 ifIndex example for CMTS**

The following example illustrates a MAC interface with one downstream and one upstream interface for a CM.



Implementation of ifStackTable for this example:

ifStackHigherLayer	ifStackLowerLayer
0	2
2	3
2	4
3	0
4	0

**Figure 6-2 ifIndex example for CM**

At the CMTS, interface number is at the discretion of the vendor, and SHOULD correspond to the physical arrangement of connections. If table entries exist separately for upstream and downstream channels, then the

ifStack group ([RFC 2863]) MUST be implemented to identify the relationship among sub-interfaces. Note that the CATV MAC interface(s) MUST exist, even if further broken out into sub-interfaces.

At the CM, interfaces MUST be numbered as follows:

**Table 6-3 CM interface numbering**

Interface	Type
1	Primary CPE interface
2	CATV-MAC
3	RF-down
4	RF-up
5 - 15, 32 +n	Other interfaces
16 - 31	Other interfaces (Reserved)

If the CM has more than one CPE interface, the vendor MUST define which of the n CPE interfaces is the primary CPE interface. The definition of the primary CPE interface MAY be fixed a priori during manufacturing process or MAY be determined dynamically during operation by the CM according to which interface has a CPE device attached to it. Regardless of the number of CPE interfaces the CM has, or how the primary CPE interface is defined, the primary interface MUST be interface number 1.

The definition of the secondary CPE interface MAY be fixed a priori during manufacturing process or MAY be determined dynamically during operation by the CM according to which interface has a CPE device attached to it. The secondary CPE, and other interfaces, will start at 5.

DOCSIS CMs may have multiple interfaces. If filter(s) (Ip, LLC, or NmAccess) are applied to CM IfIndex 1, the same filter(s) MUST also be applied to the "Other interfaces" (IfIndexes 5 and above); however, filters are never used to limit traffic between the CPE and "Other" interfaces within the CM.

#### 6.3.4.2 docslfCmStatusValue and ifOperStatus Relationship

For the CM's RF downstream, RF upstream (upstream interface and logical channel) and RF MAC interfaces, the following are the expected relationship of ifOperStatus and docslfCmStatusValue when ifAdminStatus = up (taken from DOCS-IF-MIB).<sup>1</sup>

**Table 6-4 docslfCmStatusValue and ifOperStatus relationship**

ifOperStatus	docslfCmStatusValue
down(2):	other(1), notReady(2)
dormant(5):	notSynchronized(3), phySynchronized(4), usParametersAcquired(5), rangingComplete(6), ipCompleet(7), todEstablished(8), paramTransferComplete(10), accessDenied(13)
up(1):	registrationComplete(11), securityEstablished(9), operational(12)

##### 6.3.4.2.1 ifAdminStatus and traffic

If the CM and CMTS interface's ifAdminStatus = down, the interface MUST NOT accept or forward any traffic (traffic includes data and MAC management traffic).

<sup>1</sup> Revised Table 6-4 per ECN OSS2-N-03065 by GO on 07/11/03.

### 6.3.5 Interface MIB and Trap Enable

The Interface MIB and Trap Enable specified in [RFC 2863] MUST be implemented by DOCSIS 2.0-compliant CMTSes and CMs.

If a multi-layer interface model is present in the device, each sub-layer for which there is an entry in the ifTable can generate linkUp/Down traps. Since interface state changes would tend to propagate through the interface stack (from top to bottom, or bottom to top), it is likely that several traps would be generated for each linkUp/Down occurrence. The CM and CMTS MUST implement the ifLinkUpDownTrapEnable object to allow managers to control trap generation, and configure only the interface sub-layers of interest.

The default setting of ifLinkUpDownTrapEnable MUST limit the number of traps generated to one, per interface, per linkUp/Down event. Interface state changes, of most interest to network managers, occur at the lowest level of an interface stack.

On CM linkUp/Down event a trap SHOULD be generated by the CM MAC interface and not by any sub-layers of the interface. Therefore, the default setting of ifLinkUpDownTrapEnable for CM MAC MUST be set to enable, and the default setting of ifLinkUpDownTrapEnable for CM RF-Up MUST be set to disable, and the default setting of ifLinkUpDownTrapEnable for CM RF-Down MUST be set to disable.

On CMTS interfaces (MAC, RF-Downstream(s), RF-Upstream(s)) the linkUp/Down event/trap SHOULD be generated by each CMTS interface. Therefore, the default setting of ifLinkUpDownTrapEnable for each CMTS interface (MAC, RF-Downstream(s), RF-Upstream(s)) MUST be set to enable.

### 6.3.6 Requirements for [RFC 2665]

[RFC 2665] MUST be implemented by DOCSIS 2.0-compliant CMTSes and CMs if Ethernet or Fast Ethernet interfaces are present.

### 6.3.7 Requirements for [RFC 1493]

[RFC 1493] MUST be implemented by DOCSIS 2.0-compliant CMTS and CMs.

In both the CM and the CMTS (if the CMTS implements transparent bridging), the Bridge MIB ([RFC 1493]) MUST be implemented to manage the bridging process.

In CMTSes that implement transparent bridging, the Bridge MIB MUST be used to represent information about the MAC Forwarder states.

### 6.3.8 Requirements for [RFC 2011]

[RFC 2011] MUST be implemented by DOCSIS 2.0-compliant CMTSes and CMs.

#### 6.3.8.1 The IP Group

The IP group MUST be implemented. It does not apply to IP packets forwarded by the device as a link-layer bridge. For the CM, it applies only to the device as an IP host. At the CMTS, it applies to the device as an IP host, and as a routers if IP routing is implemented.

#### 6.3.8.2 The ICMP Group

The ICMP group MUST be implemented.

### 6.3.9 Requirements for [RFC 2013]

[RFC 2013] MUST be implemented by DOCSIS 2.0-compliant CMTSes and CMs.

The UDP group in [RFC 2013] MUST be implemented.

### 6.3.10 Requirements for [RFC 3418]

[RFC-3418] MUST be implemented by DOCSIS 2.0-compliant CMTSes and CMs.

#### 6.3.10.1 The System Group

The System Group from [RFC 3418] MUST be implemented. See Section 7.2.1 for sysObjectID requirements.

#### 6.3.10.2 The SNMP Group

The SNMP Group from [RFC 3418] MUST be implemented.

### 6.3.11 Requirements for DOCS-QOS-MIB

Annex J DOCS-QOS-MIB requirements MUST be implemented by DOCSIS 2.0 CMTSes and CMs.<sup>1</sup>

### 6.3.12 Requirements for “draft-ietf-ipcdn-igmp-mib-01.txt”

“draft-ietf-ipcdn-igmp-mib-01.txt” requirements have been deleted for CMTSes and CMs.

### 6.3.13 Requirements for [RFC 2933]

[RFC 2933] MUST be implemented by DOCSIS 2.0-compliant CMTSes and CMs.

Refer to Annex E for DOCSIS 2.0 IGMP cable device implementation details.

### 6.3.14 Requirements for DOCS-BPI2-MIB

“draft-ietf-ipcdn-bpiplus-mib-05.txt” MUST be implemented by DOCSIS 2.0-compliant CMTSes and CMs as specified in Annex A.<sup>2</sup>

Entries in the docsBpi2CmtsCACertTable that have a value for docsBpi2CmtsCACertTrust of either 'trusted (1)', 'untrusted (2)', or 'root (4)' MUST persist across resets for DOCSIS 2.0-compliant CMTSes. Entries with a docsBpi2CmtsCACertTrust value of 'chained (3)' MAY persist across resets. The CMTS MUST be capable of removing entries in the docsBpi2CmtsCACertTable via SNMP by setting the row status to 'destroy'. New entries MUST NOT be created for certificates that already exist in the docsBpi2CmtsCACertTable.

Entries in the docsBpi2CmtsProvisionedCmCertTable MUST persist across resets for DOCSIS 2.0-compliant CMTSes. The CMTS MUST be capable of removing entries in the docsBpi2CmtsProvisionedCmCertTable via

---

<sup>1</sup>. Added this sentence to the section per ECN OSSlv2.0-N-04.0127-4 by GO on 3/16/04.

<sup>2</sup>. Revised sentence (rescinded OSS2-N-02234) per ECN OSS2-N-03021 by GO on 03/21/03.

SNMP by setting the row status to 'destroy'. New entries **MUST NOT** be created for certificates that already exist in the docsBpi2CmtsProvisionedCmCertTable.<sup>1</sup>

### **6.3.15 Requirements for USB MIB**

**Note:** Until the USB-MIB becomes an IETF RFC, the draft text will be available on the DOCSIS website.

### **6.3.16 Requirements for DOCS-SUBMGT-MIB**

“draft-ietf-ipcdn-subscriber-mib-02-.txt” **MUST** be implemented by DOCSIS 2.0-compliant CMTSes.

DOCSIS 2.0-compliant CMTSes **MUST** support a minimum number of thirty (30) filter groups of twenty (20) filters each.

### **6.3.17 Requirements for [RFC 2786]**

[RFC 2786] **MUST** be implemented by DOCSIS 2.0-compliant CMs. [RFC 2786] **MAY** be implemented on the CMTS.

### **6.3.18 Requirements for [RFC 3083]**

[RFC 3083] **MUST** be implemented by DOCSIS 2.0-compliant CMs as specified in Annex A.

---

<sup>1</sup>. Added the last two paragraphs per ECN OSSiv2.0-N-04.0140-3 by GO on 07/08/04.

Due to the editorial error in [RFC 3083], DOCSIS 2.0-compliant CMs MUST use the following definition for docsBpiCmAuthState and not the definition in [RFC 3083]:

```
docsBpiCmAuthState OBJECT-TYPE
SYNTAX INTEGER {
    start(1),
    authWait(2),
    authorized(3),
    reauthWait(4),
    authRejectWait(5)
}
```

MAX-ACCESS read-only

STATUS current

DESCRIPTION

"The value of this object is the state of the CM authorization FSM. The start state indicates that FSM is in its initial state."

REFERENCE

"DOCSIS Baseline Privacy Interface Specification, Section 4.1.2.1."  
::= { docsBpiCmBaseEntry 3 }

In addition, compliant CMs MAY create new entries in the docsBpiCmTEKTable for any multicast SID(s) it receives in Auth-Reply messages. If implemented, the multicast SID MUST be used as an index in the docsBpiCmTEKTable in the docsIfCmServiceId field. Note that if the multicast SID is used in the docsBpiCmTEKTable, there MUST NOT be a corresponding entry in the docsIfCmServiceTable for the multicast SID, due to the definition of the docsIfCmService ID in the DOCS-IF-MIB.

### 6.3.19 Requirements for DOCS-IF-EXT-MIB

A DOCSIS 2.0-compliant CM/CMTS MUST NOT support the DOCS-IF-EXT MIB, which is defined in Annex G.

### 6.3.20 Requirements for DOCS-CABLE-DEVICE-TRAP-MIB

DOCSIS 2.0-compliant CMs and CMTSes MUST implement DOCS-CABLE-DEVICE-TRAP-MIB, as specified in Annex H.

### 6.3.21 Requirements for SNMPv3 MIBs

DOCSIS 2.0-compliant CMs/CMTSes MUST implement the MIBs defined in [RFC 3411] through [RFC 3415] and [RFC 2576]<sup>1</sup>.

For CMs, the default value for any SNMPv3 object with a storageType textual convention MUST be 'volatile(2)'. This overrides the default value specified in [RFC 3411] through [RFC 3415] and [RFC 2576]. The CM MUST only accept the value of 'volatile(2)' on any SNMPv3 storageType object. An attempted set to a value of other(1), nonVolatile(3), permanent(4), or readOnly(5) will result in an 'inconsistentValue' error. Values other than the valid range (1-5) would result in a 'wrongValue' error.

The CM and CMTS SHOULD support a minimum of 30 available rows in the vacmViewTreeFamilyTable object.

<sup>1</sup>. Revised this sentence per ECN OSS2-N-03067 by GO on 4/5/04.

### 6.3.22 Requirements for DOCS-LOADBALANCING-MIB<sup>1</sup>

DOCSIS 2.0-compliant CMTSes MUST implement DOCS-LOADBALANCING-MIB, as specified in Annex I.

### 6.3.23 Requirements for DOCS-IFEXT2-MIB<sup>2</sup>

DOCSIS 2.0-compliant CM/CMTS MUST implement DOCS-IFEXT2-MIB, as specified in Annex K.

## 6.4 CM configuration files, TLV-11 and MIB OIDs/values

The following sections define the use of CM configuration file TLV-11 elements and the CM rules for translating TLV-11 elements into SNMP PDU (SNMP MIB OID/instance and MIB OID/instance value combinations; also referred to as SNMP varbinds).

This section also defines the CM behaviors, or state transitions, after either pass or fail of the CM configuration process.

For TLV-11 definitions refer to Annex C of [DOCSIS 5].

### 6.4.1 CM configuration file TLV-11 element translation (to SNMP PDU)

TLV-11 translation defines the process used by the CM to convert CM configuration file information (TLV-11 elements) into SNMP PDU (varbinds). The CM MUST translate CM configuration file TLV-11 elements into a single SNMP PDU containing (n) MIB OID/instance and value components (SNMP varbinds). Once a single SNMP PDU is constructed, the CM processes the SNMP PDU and determines the CM configuration pass/fail based on the rules for CM configuration file processing, described below. However, if a CM is not physically capable of processing a potentially large single CM configuration file-generated SNMP PDU, the CM MUST still behave as if all MIB OID/instance and value components (SNMP varbinds) from CM configuration file TLV-11 elements are processed as a single SNMP PDU.

In accordance with [RFC 3416], the single CM configuration file generated SNMP PDU will be treated "as if simultaneous" and the CM must behave consistently, regardless of the order in which TLV-11 elements appear in the CM configuration file, or SNMP PDU.

The CM configuration file MUST NOT contain duplicate TLV-11 elements (duplicate means SNMP MIB object has identical OID). If duplicate TLV-11 elements are received by the CM, from the CM configuration file, then the CM MUST fail CM configuration.<sup>3</sup>

#### 6.4.1.1 Rules for CreateAndGo and CreateAndWait

The CM MUST support CreateAndGo for row creation.

---

<sup>1</sup>. Added new section per ECN OSSIV2.0-N-04.0126-6 by GO on 3/15/04.

<sup>2</sup>. Added new section per ECN OSSIV2.0-N-0166-3 by GO on 10/15/04.

<sup>3</sup>. Replaced paragraph per ECN OSSIV2.0-N-03.0115-2 by GO on 2/19/04.

The CM MAY support CreateAndWait, with the constraint that CM configuration file TLV-11 elements MUST NOT be duplicated (all SNMP MIB OID/instance must be unique). For instance, an SNMP PDU constructed from CM configuration file TLV-11 elements, which contains an SNMP CreateAndWait value for a given SNMP MIB OID/instance, MUST NOT also contain an SNMP Active value for the same SNMP MIB OID/instance (and vice versa). A CM configuration file MAY contain a TLV-11 CreateAndWait element if the intended result is to create an SNMP table row which will remain in the SNMP NotReady or SNMP NotInService state until a non-configuration file SNMP PDU is issued, from an SNMP manager, to update the SNMP table row status.

Both SNMP NotReady and SNMP NotInService states are valid table row states after an SNMP CreateAndWait instruction.

#### **6.4.2 CM configuration TLV-11 elements not supported by the CM**

If any CM configuration file TLV-11 elements translate to SNMP MIB OIDs that are not MIB OID elements supported by the CM, then those SNMP varbinds MUST be ignored, and treated as if they had not been present, for the purpose of CM configuration. This means that the CM will ignore SNMP MIB OIDs for other vendors' private MIBs as well as standard MIB elements that the CM does not support.

CMs that do not support SNMP CreateAndWait for a given SNMP MIB table MUST ignore, and treat as if not present, the set of columns associated with the SNMP table row.

If any CM configuration file TLV-11 element(s) are ignored, then the CM MUST report via the CM configured notification mechanism(s), after the CM is registered. The CM notification method MUST be in accordance with Section 7.4.2.3.

#### **6.4.3 CM state after CM configuration file processing success**

After successful CM configuration, via CM configuration file, the CM MUST proceed to register with the CMTS and pass data.

#### **6.4.4 CM state after CM configuration file processing failure**

If any CM configuration file generated SNMP PDU varbind performs an illegal set operation (illegal, bad, or inconsistent value) to any MIB OID/instance supported by the CM, processing of the CM configuration file MUST fail. Any CM configuration file generated SNMP PDU varbind set failure MUST cause a CM configuration failure, and the CM MUST NOT proceed with CM registration.

### **6.5 Treatment and interpretation of MIB counters on the CM**

Octet and packet counters implemented as counter32 and counter64 MIB objects are monotonically increasing positive integers with no specific initial value and a maximum value based on the counter size that will roll-over to zero when it is exceeded. In particular, counters are defined such that the only meaningful value is the difference between counter values as seen over a sequence of counter polls. However, there are two situations that can cause this consistent monotonically increasing behavior to change: 1) resetting the counter due to a system or interface re initialization, or 2) a rollover of the counter when it reaches its maximum value of  $2^{32}-1$  or  $2^{64}-1$ . In these situations, it must be clear what the expected behavior of the counters should be.

Case 1: Whenever the state of an interface changes resulting in an “interface counter discontinuity” as defined in [RFC 2863]. In this case the value of the ifXTable.ifXEntry.ifCounterDiscontinuityTime for the affected interface **MUST** be set to the current value of sysUpTime and **ALL** counters for the affected interface **MUST** be set to ZERO. Setting the ifAdminStatus of specified interface to down(2) **MUST NOT** be considered as an interface reset.

Case 2: SNMP Agent Reset. In this case, the value of the sysUpTime **MUST** be set to ZERO, all interface ifCounterDiscontinuityTime values **MUST** be set to ZERO, and all interface counters **MUST** be set to ZERO. Also, all other counters being maintained by the SNMP Agent **MUST** be set to ZERO.

Case 3: Counter Rollover. When a counter32 object reaches its maximum value of 4,294,967,295, the next value **MUST** be ZERO. When a counter64 object reaches its maximum value of 18,446,744,073,709,551,615, the next value **MUST** be ZERO. Note that unless a CM or CMTS vendor provides a means outside of SNMP to preset a counter64 or counter32 object to an arbitrary value, it will not be possible to test any rollover scenarios for counter64 objects (and many counter32 objects as well). This is because it is not possible for these counters to rollover during the service life of the device (see discussion in Section 3.1.6 of [RFC 2863]).

## 6.6 SNMPv3 Notification Receiver config file element

This section specifies processing requirements on the CM when one or SNMPv3 Notification Receiver TLVs are present in the configuration file. The SNMPv3 Notification Receiver TLV is used to configure SNMPv3 tables for notification transmission. The CM **MUST** process this TLV only if the CM is in SNMPv3 Coexistence Mode.

Based on the TLV, the CM **MUST** make entries to the following tables in order to cause the desired trap transmission: snmpNotifyTable, snmpTargetAddrTable, snmpTargetParamsTable, snmpNotifyFilterProfileTable, snmpNotifyFilterTable, snmpCommunityTable, usmUserTable, vacmSecurityToGroupTable, vacmAccessTable, and vacmViewTreeFamilyTable. The mapping from the TLV to these tables is described in the following section.

### 6.6.1 Mapping of TLV fields into created SNMPv3 table rows

The following tables illustrate how the fields from the config file TLV elements are placed into the SNMPv3 tables. The TLV fields are shown below as:

**<IP Address>** A 32-bit IP address of a notification receiver

**<Port>** A 16-bit UDP Port number on the notification receiver to receive the notifications

**<Trap type>** Defines the notification type as explained above

**<Timeout>** 16-bit timeout, in milliseconds to wait before sending a retry of an Inform Notification

**<Retries>** 16-bit number of times to retry an Inform after the first Inform transmission

**<Filter OID>** The OID of the snmpTrapOID value that is the root of the MIB subtree that defines all of the notifications to be sent to the Notification Receiver.

**<Security Name>** The security name specified on the TLV element, or “@config” if not specified.

These tables are shown in the order that the agent will search down through them when a notification is generated in order to determine to whom to send the notification, and how to fill out the contents of the notification packet.

In configuring entries in these SNMPv3 tables, note the following:

- The Community Name for traps in SNMPv1 and SNMPv2 packets is configured as “public”. The Security Name in traps and informs in SNMPv3 packets where no security name has been specified is configured as “@Config”, in which case the security level is “noAuthNoPriv”.
- Several columnar objects are configured with a value beginning with the string “@config”. If these tables are configured through other mechanisms, Network operators should not use values beginning with “@config” to avoid conflicts with the mapping process specified here.

### 6.6.1.1 snmpNotifyTable

The snmpNotifyTable is defined in [RFC 3413], in the “Notification MIB Module” section.

Create 2 rows with fixed values if 1 or more TLV elements are present.

**Table 6-5 snmpNotifyTable**

Column Name (* = Part of Index)	1st Row Column Value	2nd Row Column Value
* snmpNotifyName	“@config_inform”	“@config_trap”
snmpNotifyTag	“@config_inform”	“@config_trap”
snmpNotifyType	inform (2)	trap (1)
snmpNotifyStorageType	volatile (2)	volatile (2)
snmpNotifyRowStatus	Active (1)	active (1)

### 6.6.1.2 snmpTargetAddrTable

The snmpTargetAddrTable is defined in [RFC 3413], in the “Management Target MIB Module” section.

Create 1 row for each TLV element in the config file.

**Table 6-6 snmpTargetAddrTable**

Column Name (* = Part of Index)	Column Value
* snmpTargetAddrName	“@config_n” Where n ranges from 0 to m-1 where m is the number of notification receiver TLV elements in the config file
snmpTargetAddrTDomain	snmpUDPDomain = snmpDomains.1
snmpTargetAddrTAddress (IP Address and UDP Port of the Notification Receiver)	OCTET STRING (6)Octets 1-4: <IP Address>Octets 5-6: <Port>
snmpTargetAddrTimeout	<Timeout> from the TLV
snmpTargetAddrRetryCount	<Retries> from the TLV
snmpTargetAddrTagList	“@config_trap” if <Trap type> is 1, 2, or 4 “@config_inform” if <Trap type> is 3 or 5
snmpTargetAddrParams	“@config_n” (Same as snmpTargetAddrName value)
snmpTargetAddrStorageType	volatile (2)
snmpTargetAddrRowStatus	active (1)

### 6.6.1.3 snmpTargetAddrExtTable

The snmpTargetAddrExtTable is defined in [RFC 3413], in the “SNMP Community MIB Module” section.

Create 1 row for each TLV element in the config file.

**Table 6-7 snmpTargetAddrExtTable**

Column Name (* = Part of Index)	Column Value
* snmpTargetAddrName	“@config_n” where n ranges from 0 to m-1, and m is the number of notification receiver TLV elements in the config file
snmpTargetAddrTMask	<zero-length octet string>
snmpTargetAddrMMS	0

### 6.6.1.4 snmpTargetParamsTable

The snmpTargetParamsTable is defined in [RFC 3413], in the “Management Target MIB Module” section.

Create 1 row for each TLV element in the config file. If <Trap type> is 1, 2, or 3, or if the <Security Name> Field is zero-length, create the table as follows:

**Table 6-8 snmpTargetParamsTable for <Trap type> 1, 2, or 3**

Column Name (* = Part of Index)	Column Value
* snmpTargetParamsName	“@config_n” where n ranges from 0 to m-1, and m is the number of notification receiver TLV elements in the config file
snmpTargetParamsMPModel SYNTAX: SnmpMessageProcessingModel	SNMPv1 (0) if <Trap type> is 1 SNMPv2c (1) if <Trap type> is 2 or 3 SNMPv3 (3) if <Trap type> is 4 or 5
snmpTargetParamsSecurityModel SYNTAX: SnmpSecurityModel	SNMPv1 (1) if <Trap type> is 1 SNMPv2c (2) If <Trap type> is 2 or 3 USM (3) if <Trap type> is 4 or 5  NOTE: The mapping of SNMP protocol types to value here are different from snmpTargetParamsMPModel
snmpTargetParamsSecurityName	“@config”
snmpTargetParamsSecurityLevel	noAuthNoPriv
snmpTargetParamsStorageType	volatile (2)
snmpTargetParamsRowStatus	active (1)

If <Trap type> is 4 or 5, and the <Security Name> Field is non-zero length, create the table as follows:

**Table 6-9 snmpTargetParamsTable for <Trap type> 4 or 5**

Column Name (* = Part of Index)	Column Value
* snmpTargetParamsName	“@config_n” where n ranges from 0 to m-1, and m is the number of notification receiver TLV elements in the config file
snmpTargetParamsMPModel SYNTAX: SnmpMessageProcessingModel	SNMPv1 (0) if <Trap type> is 1 SNMPv2c (1) if <Trap type> is 2 or 3 SNMPv3 (3) if <Trap type> is 4 or 5

**Table 6-9 snmpTargetParamsTable for <Trap type> 4 or 5 (Continued)**

Column Name (* = Part of Index)	Column Value
snmpTargetParamsSecurityModel SYNTAX: SnmpSecurityModel	SNMPv1 (1) if <Trap type> is 1 SNMPv2c (2) if <Trap type> is 2 or 3 USM (3) if <Trap type> is 4 or 5  NOTE: The mapping of SNMP protocol types to value here are different from snmpTargetParamsMPModel
snmpTargetParamsSecurityName	<Security Name>
snmpTargetParamsSecurityLevel	The security level of <Security Name>
snmpTargetParamsStorageType	volatile (2)
snmpTargetParamsRowStatus	active (1)

**6.6.1.5 snmpNotifyFilterProfileTable**

The snmpNotifyFilterProfileTable is defined in [RFC 3413], in the “Notification MIB Module” section.

Create 1 row for each TLV that has a non-zero <Filter Length>.

**Table 6-10 snmpNotifyFilterProfileTable**

Column Name (* = Part of Index)	Column Value
* snmpTargetParamsName	“@config_n” where n ranges from 0 to m-1, and m is the number of notification receiver TLV elements in the config file
snmpNotifyFilterProfileName	“@config_n” where n ranges from 0 to m-1, and m is the number of notification receiver TLV elements in the config file
snmpNotifyFilterProfileStorType	volatile (2)
snmpNotifyFilterProfileRowStatus	active (1)

**6.6.1.6 snmpNotifyFilterTable**

The snmpNotifyFilterTable is defined in [RFC 3413], in the “Notification MIB Module” section.

Create 1 row for each TLV that has a non-zero <Filter Length>.

**Table 6-11 snmpNotifyFilterTable**

Column Name (* = Part of Index)	Column Value
* snmpNotifyFilterProfileName	“@config_n” where n ranges from 0 to m-1, and m is the number of notification receiver TLV elements in the config file
* snmpNotifyFilterSubtree	<Filter OID> from the TLV
snmpNotifyFilterMask	<zero-length octet string>
snmpNotifyFilterType	included (1)
snmpNotifyFilterStorageType	volatile (2)
snmpNotifyFilterRowStatus	active (1)

### 6.6.1.7 snmpCommunityTable

The snmpCommunityTable is defined in [RFC 3413], in the “SNMP Community MIB Module” section.

Create 1 row with fixed values if 1 or more TLVs are present. This causes SNMPv1 and v2c notifications to contain the community string in snmpCommunityName.

**Table 6-12 snmpCommunityTable**

Column Name (* = Part of Index)	Column Value
* snmpCommunityIndex	“@config”
snmpCommunityName	“public”
snmpCommunitySecurityName	“@config”
snmpCommunityContextEngineID	<the engineID of the cable modem>
snmpCommunityContextName	<zero-length octet string>
snmpCommunityTransportTag	<zero-length octet string>
snmpCommunityStorageType	volatile (2)
snmpCommunityStatus	active (1)

### 6.6.1.8 usmUserTable

The usmUserTable is defined in [RFC 3414], in the “Definitions” section.

Create 1 row with fixed values if 1 or more TLVs are present. Other rows are created, one each time the engine ID of a trap receiver is discovered. This specifies the user name on the remote notification receivers to which notifications are to be sent.

One row in the usmUserTable is created. When the engine ID of each notification receiver is discovered, the agent copies this row into a new row and replaces the 0x00 in the usmUserEngineID column with the newly-discovered value.

**Table 6-13 usmUserTable**

Column Name (* = Part of Index)	Column Value
* usmUserEngineID	0x00
* usmUserName	“@config” When other rows are created, this is replaced with the <Security Name> field from the TLV element.
usmUserSecurityName	“@config” When other rows are created, this is replaced with the <Security Name> field from the TLV element.
usmUserCloneFrom	<don’t care> This row cannot be cloned.
usmUserAuthProtocol	None When other rows are created, this is replaced with None or MD5, depending on the security level of the V3 User.
usmUserAuthKeyChange	<don’t care> Write-only
usmUserOwnAuthKeyChange	<don’t care> Write-only

**Table 6-13 usmUserTable (Continued)**

Column Name (* = Part of Index)	Column Value
usmUserPrivProtocol	None When other rows are created, this is replaced with None or DES, depending on the security level of the V3 User.
usmUserPrivKeyChange	<don't care> Write-only
usmUserOwnPrivKeyChange	<don't care> Write-only
usmUserPublic	<zero-length string>
usmUserStorageType	volatile (2)
usmUserStatus	active (1)

**6.6.1.9 vacmSecurityToGroupTable**

The vacmSecurityToGroupTable is defined in [RFC 3415], in the “Definitions” section.

Create 3 rows with fixed values if 1 or more TLVs are present.

These are the 3 rows with fixed values. These are used for the TLV entries with <Trap Type> set to 1, 2, or 3, or with a zero-length <Security Name>. The TLV entries with <Trap Type> set to 4 or 5 and a non-zero length <Security Name> will use the rows created in the vacmSecurityToGroupTable by the DH Kickstart process.

**Table 6-14 vacmSecurityToGroupTable**

Column Name (* = Part of Index)	First Row Column Value	Second Row Column Value	Third Row Column Value
* vacmSecurityModel	SNMPV1 (1)	SNMPV2c (2)	USM (3)
* vacmSecurityName	“@ config”	“@ config”	“@ config”
vacmGroupName	“@ configV1”	“@ configV2”	“@ configUSM”
vacmSecurityToGroupStorageType	volatile (2)	volatile (2)	volatile (2)
vacmSecurityToGroupStatus	active (1)	active (1)	active (1)

**6.6.1.10 vacmAccessTable**

The vacmAccessTable is defined in [RFC 3415], in the “Definitions” section.

Create 3 rows with fixed values, if 1 or more TLVs are present.

These are the 3 rows with fixed values. These are used for the TLV entries with <Trap Type> set to 1, 2, or 3, or with a zero-length <Security Name>. The TLV entries with <Trap Type> set to 4 or 5 and a non-zero length <Security Name> will use the rows created in the vacmAccessTable by the DH Kickstart process.

**Table 6-15 vacmAccessTable**

Column Name (* = Part of Index)	Column Value	Column Value	Column Value
* vacmGroupName	“@ configV1”	“@ configV2”	“@ configUSM”
* vacmAccessContextPrefix	<zero-length string>	<zero-length string>	<zero-length string>
* vacmAccessSecurityModel	SNMPV1 (1)	SNMPV2c (2)	USM (3)
* vacmAccessSecurityLevel	noAuthNoPriv (1)	noAuthNoPriv (1)	noAuthNoPriv (1)

**Table 6-15 vacmAccessTable (Continued)**

Column Name (* = Part of Index)	Column Value	Column Value	Column Value
vacmAccessContextMatch	exact (1)	exact (1)	exact (1)
vacmAccessReadViewName	<zero-length octet string>	<zero-length octet string>	<zero-length octet string>
vacmAccessWriteViewName	<Zero length octet string>	<Zero length octet string>	<Zero length octet string>
vacmAccessNotifyViewName	"@config"	"@config"	"@config"
vacmAccessStorageType	volatile (2)	volatile (2)	volatile (2)
vacmAccessStatus	active (1)	active (1)	active (1)

**6.6.1.11 vacmViewTreeFamilyTable**

The vacmViewTreeFamilyTable is defined in [RFC 3415], in the "a" section.

Create 1 row with fixed values if 1 or more TLVs are present.

This row is used for the TLV entries with <Trap Type> set to 1, 2, or 3 or with a zero-length <Security Name>. The TLV entries with <Trap Type> set to 4 or 5 and a non-zero length <Security Name> will use the rows created in the vacmViewTreeFamilyTable by the DH Kickstart process.

**Table 6-16 vacmViewTreeFamilyTable**

Column Name (* = Part of Index)	Column Value
* vacmViewTreeFamilyViewName	"@config"
* vacmViewTreeFamilySubtree	1.3
vacmViewTreeFamilyMask	<default from MIB>
vacmViewTreeFamilyType	included (1)
vacmViewTreeFamilyStorageType	volatile (2)
vacmViewTreeFamilyStatus	active (1)

## 7 OSSI for Radio Frequency Interface

### 7.1 Subscriber Account Management Interface Specification<sup>1</sup>

The Subscriber Account Management Interface Specification is defined to enable prospective vendors of cable modems and cable modem termination systems to address the operational requirements of subscriber account management in a uniform and consistent manner. It is the intention that this would enable operators and other interested parties to define, design and develop Operations and Business Support System (OBSS) necessary for the commercial deployment of different class of services over cable networks with accompanying usage-based billing of services for each individual subscriber.

Subscriber Account Management described here refers to the following business processes and terms:

Class of Service Provisioning Processes, which are involved in the automatic and dynamic provisioning and enforcement of subscribed class of policy-based service level agreements (SLAs).

Usage-Based Billing Processes, which are involved in the processing of bills based on services rendered to and consumed by paying subscribers. This Specification focuses primarily on bandwidth-centric usage-based billing scenarios. It complements the current Telephony Billing Specification that is being developed within the PacketCable architecture.

The business processes defined above are aligned with the scenarios for Subscriber Account Management described Appendix I of this specification. In order to develop the DOCSIS-OSS Subscriber Account Management Specification, it is necessary to consider high-level business processes common to cable operators and the associated operational scenarios. These issues are discussed in Annex B.

This Section is divided in three parts. Section 7.1.1 describes the DOCSIS RFI specifications features to be used to model the Subscriber Usage Billing requirements. Section 7.1.2 describes the IPDR protocols and management framework, and the IPDR semantics for the DOCSIS Subscriber Usage Billing data model. Section 7.1.3 defines the CMTS requirements in terms of mandatory and optional IPDR features.

#### 7.1.1 Subscriber Usage Billing and class of services

The DOCSIS RFI specification evolves around the concept of class of service, which is the generic term to indicate the type of data services a CM requests and receives from the CMTS. (See [DOCSIS 5] section 11.2.9 Registration for details.). From a high level perspective class of services are observed as customer types (e.g. residential or business) and the DOCSIS RFI MAC layer parameters fulfill the customer service needs.

DOCSIS 2.0 RFI [DOCSIS 5] specification supports two service class definition types: DOCSIS 1.1 Quality of Service (QoS) which offers queuing and scheduling services and the backward compatible DOCSIS 1.0 Class of Service which offers only Queuing services.

##### 7.1.1.1 DOCSIS 1.1 Quality of Service (QoS)

The DOCSIS 2.0 RFI specification provides a mechanism for a Cable Modem (CM) to register with its Cable Modem Termination System (CMTS) and to configure itself based on external Quality of Service (QoS) parameters when it is powered up or reset.

---

<sup>1</sup>. Replaced Section 7.1 per ECN OSS2-N-02236 by GO on 02/12/03; Replaced Section 7.1 per ECN OSSlv2.0-N-04.0173-7 by GO on 11/17/04.

To quote (in part) from Section 10.1 Theory of Operation:

The principal mechanism for providing enhanced QoS is to classify packets traversing the RF MAC interface into a Service Flow. A Service Flow is a unidirectional flow of packets that is provided a particular Quality of Service. The CM and the CMTS provide this QoS by shaping, policing, and prioritizing traffic according to the QoS Parameter Set defined for the Service Flow.

The requirements for Quality of Service include:

- A configuration and registration function for pre-configuring CM-based QoS Service Flows and traffic parameters.
- Utilization of QoS traffic parameters for downstream Service Flows.
- Classification of packets arriving from the upper layer service interface to a specific active Service Flow
- Grouping of Service Flow properties into named Service Classes, so upper layer entities and external applications (at both the CM and the CMTS) can request Service Flows with desired QoS parameters in a globally consistent way.

A Service Class Name (SCN) is defined in the CMTS via provisioning (see DOCS-QOS-MIB). An SCN provides a handle to an associated QoS Parameter Set (QPS) template. Service Flows that are created using an SCN are considered to be "named" Service Flows. The SCN identifies the service characteristics of a Service Flow to external systems such as a billing system or customer service system. For consistency in billing, operators should ensure that SCNs are unique within an area serviced by the same BSS that utilizes this interface., A descriptive SCN might be something like PrimaryUp, GoldUp, VoiceDn, or BronzeDn to indicate the nature and direction of the Service Flow to the external system.

A Service Package implements a Service Level Agreement (SLA) between the MSO and its Subscribers on the RFI interface. A Service Package might be known by a name such as Gold, Silver, or Bronze. A Service Package is itself implemented by the set of named Service Flows (using SCNs) that are placed into a CM Configuration File<sup>1</sup> that is stored on a TFTP server. The set of Service Flows defined in the CM Config File are used to create active Service Flows when the CM registers with the CMTS. Note that many Subscribers are assigned to the same Service Package, therefore, many CMs use the same CM Config File to establish their active Service Flows. Also, note that a Service Package has to define at least two Service Flows known as Primary Service Flows that are used by default when a packet matches none of the classifiers for the other Service Flows. A CM Config File that implements a Service Package, therefore, must define the two primary Service Flows using SCNs (e.g. PrimaryUp and PrimaryDn) that are known to the CMTS if these Service Flows are to be visible to external systems via this billing interface. Note that it is often the practice in a usage sensitive billing environment to segregate the operator's own maintenance traffic to and from the CM into the primary service flows so that this traffic is not reflected in the traffic counters associated the subscriber's SLA service flows.

The DOCSIS 2.0 RFI specification also provides for dynamically created Service Flows. An example could be a set of dynamic Service Flows created by an embedded PacketCable Multimedia Terminal Adapter (MTA) to manage VoIP signaling and media flows. All dynamic Service Flows must be created using an SCN known to the CMTS if they are to be visible to the billing system. These dynamic SCNs do not need to appear in the CM Config File but the MTA may refer to them directly during its own initialization and operation.

During initialization, a CM communicates with a DHCP Server that provides the CM with its assigned IP address and, in addition, receives a pointer to the TFTP Server that stores the assigned CM Config File for that CM. The CM reads the CM Config File and forwards the set of Service Flow definitions (using SCNs) up to the CMTS.

---

<sup>1</sup>. The CM Configuration File contains several kinds of information needed to properly configure the CM and its relationship with the CMTS, but the for the sake of this discussion only the Service Flow and Quality of Service components are of interest

The CMTS then performs a macro-expansion on the SCNs (using its provisioned SCN templates) into QoS Parameter Sets sent in the Registration Response for the CM. Internally, each active Service Flow is identified by a 32-bit SFID assigned by the CMTS to a specific CM (relative to the RFI interface). For billing purposes, however, the SFID is not sufficient as the only identifier of a Service Flow because the billing system cannot distinguish the class of service being delivered by one SFID from another. Therefore, the SCN is necessary, in addition to the SFID, to identify the Service Flow's class of service characteristics to the billing system. The billing system can then rate the charges differently for each of the Service Flow traffic counts based on its Service Class (e.g. Gold octet counts are likely to be charged more than Bronze octet counts). Thus, the billing system obtains from the CMTS the traffic counts for each named Service Flow (identified by SFID and SCN) that a subscriber's CM uses during the billing data collection interval. This is true even if multiple active Service Flows (i.e. SFIDs) are created using the same SCN for a given CM over time. This will result in multiple billing records for the CM for Service Flows that have the same SCN (but different SFIDs). Note that the SFID is the primary key to the Service Flow. When an active Service Flow exists across multiple sequential billing files the SFID allows the sequence of recorded counter values to be correlated to the same Service Flow instance.

### 7.1.1.2 DOCSIS 1.0 Class of Service (CoS)

The DOCSIS 2.0 RFI specification also provides the backward compatible mechanism to support for DOCSIS 1.0 Class of Service for DOCSIS 1.0 CMs and DOCSIS 1.1, 2.0 CMs being provisioned with a DOCSIS 1.0-style config file.

DOCSIS 1.0 Class of Service (CoS) offers for the CM upstream queuing services consisting of minimum guarantee upstream bandwidth, traffic priority, and maximum packet size per transmit opportunity. CoS also offers a policy mechanisms for upstream and downstream Maximum bandwidth allocation per CM

Even though the Subscriber Account Management Interface Specification defined herein is mostly intended for billing services that uses the DOCSIS 1.1 QoS feature set, existing DOCSIS 1.0 CM installed based merits the addition of DOCSIS 1.0 Class of Service profiles into the usage billing record with the following considerations:

- The Subscriber Usage Billing record is not capable of differentiating a Service Package (as described in Section 7.1.1.1). In other words, for CoS there is no equivalent to SCN of DOCSIS 1.1 QoS that could be used to differentiate CMs with different CoS provisioning parameters or in the occurrence of CMs provisioned with more than one CoS configuration set.
- DOCSIS 1.0 Class of Service Management interface [IETF11] does not provide standard set of downstream data traffic counters associated to the CM queuing services. This Subscriber Usage Billing interface, requires the implementation of downstream counters in a proprietary manner.

### 7.1.1.3 High-Level Requirements for Subscriber Usage Billing Records

This section provides the high-level, functional requirements of this interface.

DOCSIS 2.0 Compliant CMTSes MUST provide formatted Subscriber Usage Billing Records for all subscribers attached to the CMTS on demand to a mediation system or a billing system.

The transfer of these Usage Billing records from the CMTS to the mediation/billing system is be done using a standard IPDR retrieval mechanism. The Usage Record Streaming model defined in IPDR Streaming Protocol IPDR/SP [IPDR/SP] is the required mechanism for billing information. This is a mechanism for transmission of Usage billing records on the fly in near "real-time" from the CMTS to the mediation system. DOCSIS 2.0 Compliant CMTSes may optionally support other IPDR File Retrieval mechanisms, see Section 7.1.3.1.

DOCSIS 2.0 Compliant CMTSes MUST support a minimum billing record transfer interval of 15 minutes.

The following are the requirements for processing and transmitting Subscriber Usage Billing Records:

1. To facilitate processing of the Subscriber Usage Billing Records by a large number of diverse billing and mediation systems an Extensible Markup Language (XML) format is required. Specifically, the IP Detail Record (IPDR) standard as described in IPDR.org's Business Solution Requirements, Version 3.5.0.1 [IPDR/BSR] as extended for XML schema format DOCSIS Cable Data Systems Subscriber Usage Billing Records MUST be used. See Annex B for the DOCSIS Cable Data Systems Subscriber Usage Billing Records Service Specification submission to IPDR.org, the DOCSIS IPDR schema, and an example DOCSIS IPDR XML Schema billing file. See also [IPDR/BSR] for more information on the BSR specification and [IPDR/SSDG] Service Specification Design Guide.<sup>1</sup>
2. To improve the performance of storage and transmission of the BSR XML format billing records a compression mechanism is required. [IPDR/BSR] describes a compact encoding of IPDR Docs, utilizing the IETF XDR specification language.
3. To improve the network performance of the billing collection activity, a reliable high-throughput TCP stream MUST be used to transfer billing records between the record formatter and the collection system. Furthermore, at the application layer the streaming protocol [IPDR/SP] described in Section 7.1.2.4 MUST be implemented to scale the collection of data in a reliable manner for both the Exporters and the Collectors.
4. Ensure the end-to-end privacy and integrity of the billing records, while either stored or in transit, an authentication and encryption mechanism must be provided between the record formatter and the collection system. The security model is detailed in Section 7.1.2.5.
5. The Subscriber Usage Billing File records MUST identify the CMTS by host name and IP address and the date and time record is sent. The sysUpTime value for the CMTS MUST be recorded. As well as MAC domain, downstream and upstream information the CM is registered on that facilitates the characterization of cable interfaces usage.
6. Subscriber usage billing records MUST be identified by CM MAC address (but not necessarily sorted). The Subscriber's current CM IP address MUST also be present in the billing record for the Subscriber. If the CMTS is tracking CPE addresses behind the Subscriber's CM, then these CPEs MAC and IP addresses MUST also be present in the billing record as well. CPE FQDNs. (Fully Qualified Domain Name) MUST be present in the billing record only if gleaned from DHCP relay agent transactions (reverse DNS queries are not required).
7. Subscriber usage billing records MUST have entries for each active Service Flow (identified by SFID and Service Class Name) used by all CMs operating in DOCSIS 1.1 (or higher) registration mode during the collection interval. This includes all currently running Service Flows as well as all terminated Service Flows that were deleted and logged during the collection interval. Note well that a provisioned or admitted state SF that was deleted before it became active is not recorded in the billing document, even though it was logged by the CMTS. For CMs registered in DOCSIS 1.0 mode Service Class Name is not used and left empty.

Billing records for CMs operating in DOCSIS 1.0 mode are identified by Service Identifier (SID). The CMTS MUST record information for primary SIDs and not for temporary SIDs, in other words, only information pertaining the CM registration period is recorded.

8. It MUST be possible to distinguish running Service Flows from terminated Service Flows as well as DOCSIS 1.0 running CM SIDs from de-registered CMs in the billing records. A terminated Service Flow or DOCSIS 1.0 SID MUST be reported into a Billing File exactly once. Similarly, records for CMs running DOCSIS 1.0 Class of Service are based on Upstream Queue Services of the DOCS-IF-MIB and proprietary information for downstream information.

---

<sup>1</sup> Revised the second sentence of this paragraph per ECN OSSiv2.0-N-05.0209-4 by GO on 3/16/05.

9. It **MUST** be possible to identify the Service Flow direction as upstream or downstream without reference to the Service Class Name. The number of packets and octets passed must be collected for each upstream and downstream Service Flow. The number of packets dropped and the number of packets delayed due to enforcement of QoS maximum throughput parameters (SLA) **MUST** also be collected for each Service Flow. In the case of an upstream Service Flow, the reported SLA drop and delay counters **MUST** represent only the policing performed by the CMTS. Note that since it is possible for a Subscriber to change from one service package to another and back again or to have dynamic service flows occur multiple times, it is possible that there will be multiple entries for a given SCN within a Subscriber's billing record for the collection period. This could also occur if a CM re-registers for any reason (such as CM power failure).
10. All traffic counters **MUST** be based on absolute 32-bit or 64-bit counters as maintained by the CMTS. These counters **MUST** be reset to zero by the CMTS if it re-initializes its management interface. The CMTS sysUpTime value is used to determine if the management interface has been reset between adjacent collection intervals. It is expected that the 64-bit counters will not roll over within the service lifetime of the CMTS.

#### 7.1.1.4 Subscriber Usage Billing Records Mapping to Existing DOCSIS Data model

In Section 7.1.1.3 the High-level requirements for Subscriber Usage Billing includes counters for consumption based billing. Part of that section deals with the collection of counters associated to DOCSIS 1.0 Class of service and DOCSIS 1.1 Quality of Service. The mapping described below is required to consistently define the Subscriber Usage Billing service specification based on mandatory and well-defined counter requirements as much as possible.

There are trade-offs when defining Subscriber Usage Billing service specifications to cover two different specification requirements. In particular, DOCSIS 1.1 Mode of operation defines Quality of Service (QOS) as the scheduling and queue prioritization mechanism, while DOCSIS 1.0 mode of CM operation is based on the queue prioritization mechanism named Class of Service (CoS) as described in Section 7.1.1.1 and Section 7.1.1.2, respectively. The DOCSIS RFI 2.0 specification [DOCSIS 5] does not define MAC layer primitives for usage counters associated to SFIDs and SIDs to be mapped to Management models like SNMP or this Subscriber Usage Billing service specification.

DOCSIS Mandatory QOS and COS counter requirements are contained in this specification defined as SNMP SMI data models in separate models and different MIB modules definitions for QOS Annex J and COS [IETF11] counters; see section 6 Management Information Bases (MIBs) for details.

This section illustrates the mapping of Subscriber Usage Billing Records for CMs registered in DOCSIS 1.0 mode in DOCSIS 2.0 compliant CMTSes based on the QOS model. The main design advantages of this approach includes:

- Smooth transition to all QOS based DOCSIS networks,
- DOCSIS MAC schedulers are known to map COS queues into QOS queues rather than define two separate schedulers and counter managers.
- Uniform DOCSIS QOS based networks will simplify the management model (will happen after legacy DOCSIS 1.0 are updated to 1.1 QOS provisioning).
- Simplify the Subscriber Usage Billing service specification based on one XML schema rather than two separate definitions for DOCSIS 1.1 QOS and DOCSIS 1.0 QOS.
- Unifies both Capacity Management and Subscriber Usage Billing management by normalizing upstream and downstream Services, regardless of the Queue discipline. This abstraction layer is relevant especially for capacity management and for further extensions to areas not covered by DOCS-QOS-MIB Annex J such as multicast SAIDs to SFIDs for proper capacity accounting.

The disadvantage of this design is the possible efficiency cost of meaningless QOS based billing elements in COS related records where DOCSIS 1.0 is a significant proportion of the provisioned CMs, but limited to few bytes per record with the XDR encoding.

Figure 7-1 describes the Subscriber Usage Billing model mapping to this specification standard management object base and other requirements not defined in this specification. See Table Notes on following page.

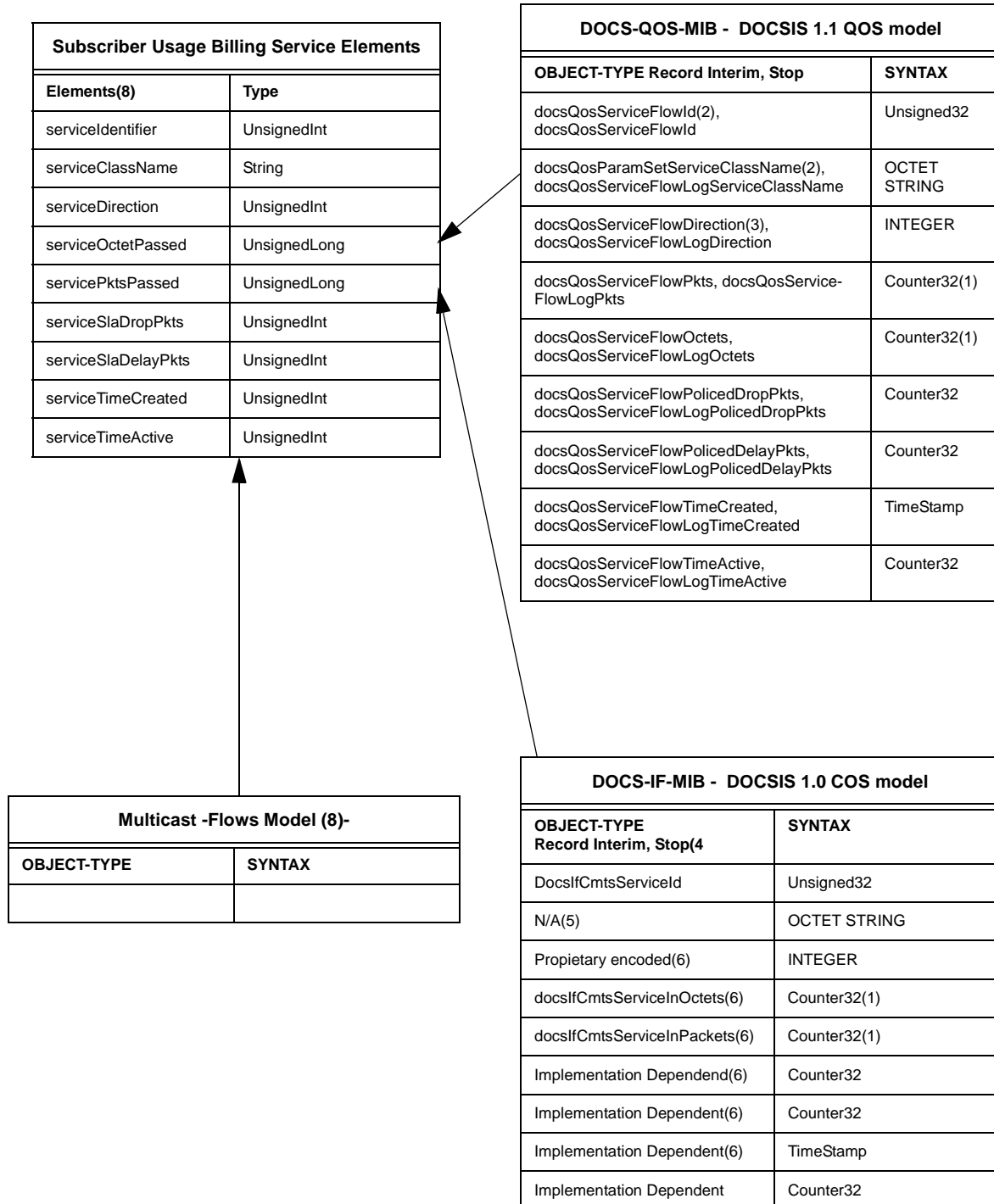


Figure 7-1 Subscriber Usage Billing Model Mapping to DOCSIS Management Objects

**Table Notes:**

- (1) Extended for higher rates, MIB modules are expected to be updated to be 64-bit counters (IPCDN).
- (2) docsQosParamSetEntry.ifIndex == docsQosServiceFlowStatsEntry.ifIndex &&  
docsQosParamSetEntry.docsQosServiceFlowId ==  
docsQosServiceFlowStatsEntry.docsQosServiceFlowId  
&& docsQosParamSetEntry.docsQosParamSetType == 'active'
- (3) docsQosServiceFlowEntry.ifIndex == docsQosServiceFlowStatsEntry.ifIndex &&  
docsQosServiceFlowEntry.docsQosServiceFlowId ==  
docsQosServiceFlowStatsEntry.docsQosServiceFlowId
- (4) Stop Records are held in memory in a proprietary manner until being sent to the Collector.
- (5) Object not applicable and reported as zero-length string
- (6) All the RFI MIB Queuing Services in docsIfCmtsServiceTable are upstream. For downstream services, the RFI MIB [IETF11] does not provide counters and objects primitives. It is common industry acceptance outside of this specification to include extensions to docsIfCmtsServiceTable for accounting CMdownstream packets. This common practice assumes only one Class of Service being provisioned in the CM.

The Subscriber Usage Billing relationships are:

- serviceDirection is encoded as 'upstream' for Upstream CM SIDs. For CM downstream traffic, this element is encoded as 'downstream'.
  - serviceOctetsPassed corresponds to docsIfCmtsServiceInOctets for upstream SIDs. CM downstream traffic octet counters are proprietary.
  - servicePktsPassed corresponds to docsIfCmtsServiceInPackets for upstream SIDs. CM downstream traffic octet counters are proprietary.
  - serviceSlaDropPkts are implementation dependent, if not supported the CMTS reports a zero value.
  - serviceSlaDelayPkts are implementation dependent, if not supported the CMTS reports a zero value.
- (7) These elements are defined in Section 7.1.2.2. and Annex B.
  - (8) Multicast flows usage billing consumption and counters is not currently defined, this diagram is only a place holder for future extensibility.

For the case of DOCSIS 1.0 Class of Service, records for Downstream CM traffic, are assigned to the first CM SID of its upstream queues. This model for practical reasons is expected to have only one Queue Service (SID) when provisioned in DOCSIS 1.0 COS but is not limited to this.

The model above is intended to de-couple the internal management primitives of the required MIB objects as an indication that both processes might be updated independently, or as direct relationships of existing management objects. Therefore, in the case of an active Subscriber Usage Billing IPDR/SP Session a DOCSIS 2.0 Compliant CMTSes MAY not allow the deletion of Service Flow log records until they have been sent via [IPDR/SP].

A terminated SID of a DOCSIS 1.0 Class of Service (CM de-registers) MUST be kept in memory until being successfully delivered via [IPDR/SP].

## 7.1.2 IP Detail Record (IPDR) Standard

The IPDR Organization (see <http://www.ipdr.org>) has defined a generic model for using XML Schema in IP Detail Recording applications. Industry specific IP billing applications such as the Cable Data Systems Subscriber Usage Billing Record can be added to the IPDR standard by mapping the application semantics onto the BSR XML Schema syntax. See Annex B for the DOCSIS OSSI Service Specification submission to IPDR.org for the DOCSIS Cable Data Systems Subscriber Usage Billing Record. Annex B also contains the IPDR standard XML Schema (.xsd) file that describe the DOCSIS IPDR syntax and Appendix III contains an example of IPDR XML format Subscriber Usage Billing document.

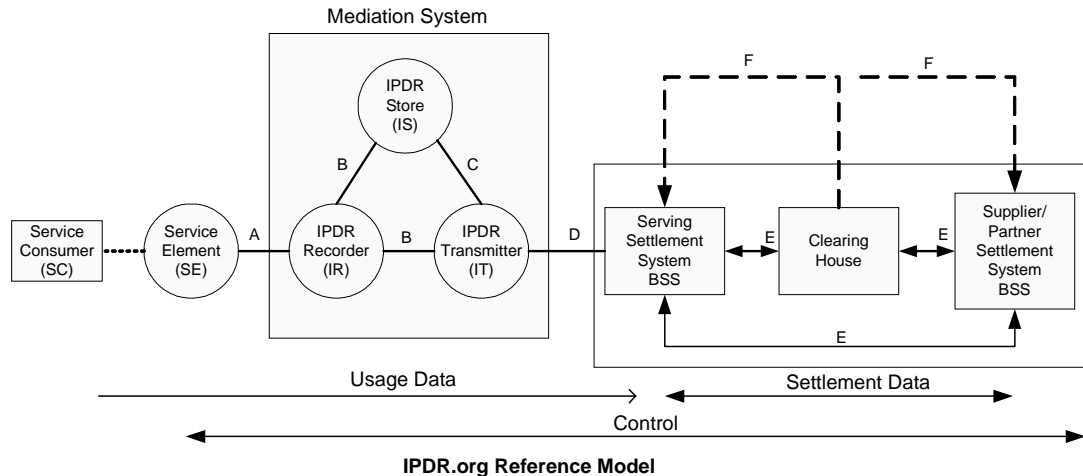


Figure 7-2 Basic Network Model (ref. [IPDR/BSR] from [www.ipdr.org](http://www.ipdr.org))

### 7.1.2.1 IPDR Network Model<sup>1</sup>

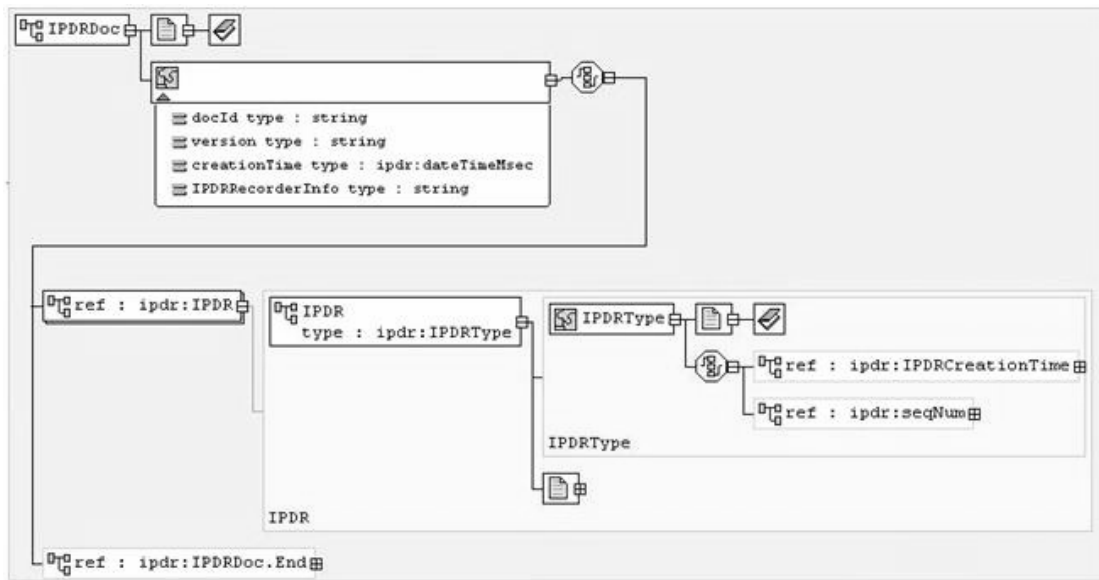
The IPDR Network Model is given in the [IPDR/BSR] specification and is portrayed in Figure 7-2 above. Note that in Figure 7-2 the highlighted blocks and interfaces are the only ones defined in this specification. In this network model, the Service Consumer (SC) is the Cable Data Service Subscriber identified by their Cable Modem MAC address, current CM IP address, and current CPE IP addresses. The Service Element (SE) is the CMTS identified by its host name, IP address, and current value of its sysUpTime object. The IPDR Recorder (IR) is the billing record formatter and exporter function that creates the billing record compliant to [IPDR/BSR] based on the DOCSIS schema IPDRs based on the internal counters maintained by the CMTS for each Subscriber's running and terminated DOCSIS 1.0 Class of Services and DOCSIS 1.1 Service Flows. The IPDR Store (IS) and the IPDR Transmitter (IT) are two kinds of collector functions that receive IPDR XDR records from the IR exporter function as specified in Section 7.1.2.4. The IR exporter function MUST be implemented in the CMTS. The IT/IS collector functions receive IDPR XDR records on a collection cycle determined by the IR exporter function.

Note that the A-interface is not specified by the [IPDR/BSR] specification because it is an internal interface between the SE and the IR exporter components. The B-interface between the IR exporter and the IT/IS collector components is specified by the IPDR Streaming Protocol 2.1 [IPDR/SP] and the considerations of Section 7.1.3.5.3. The IPDR XDR records exported via the B-interface MUST be implemented using the DOCSIS Cable Data Systems Subscriber Usage Billing Record submission to the IPDR standard as defined in Annex B. The A, C, D, E, and F interfaces are beyond the scope of this specification.

<sup>1</sup> Replace this section per ECN OSSiv2.0-N-05.0209-4 by GO on 3/16/05.

### 7.1.2.2 IPDR Record Structure

The [IPDR/BSR] specification specifies the IPDRDoc record structure. The IPDRDoc XML schema (see DOCSIS-3.5.1-A.0.xsd in Annex B) defines the hierarchy of elements within the IPDR document that MUST be supported by the CMTS as shown in Figure 7-3 below.<sup>1</sup>

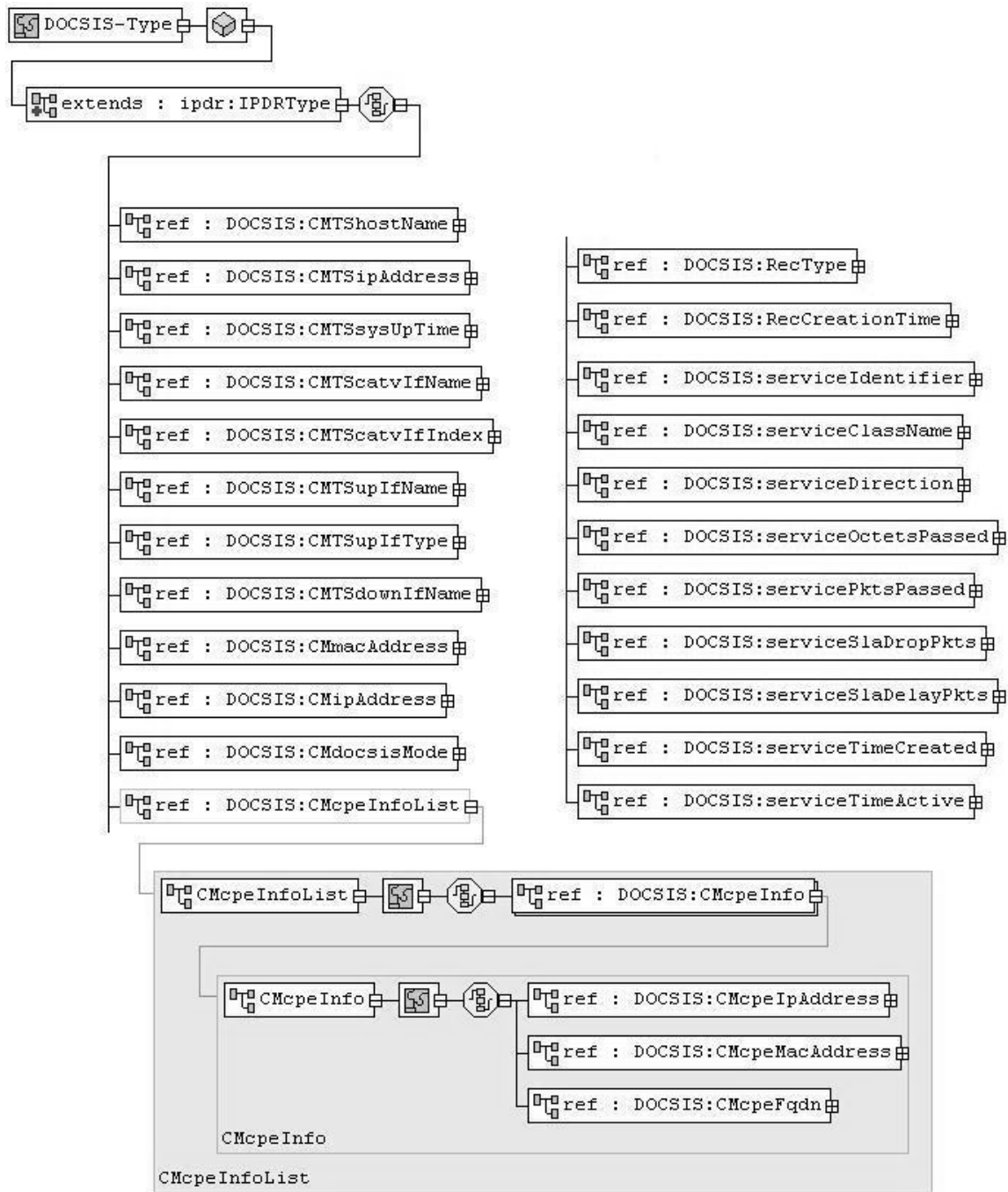


**Figure 7-3 IPDRDoc 3.5 Generic Schema**

The IPDRDoc XML schema defines the generic structure of any IPDR document regardless of application. To complete the definition of an application specific IPDR record structure, an application schema must be provided that imports the basic IPDRDoc XML schema. The DOCSIS IPDR Version 3.5 schema (see DOCSIS-3.5.1-A.0.xsd in Annex B) defines the elements that record the DOCSIS specific information that MUST be supported by the CMTS (as shown in Figure 7-4 below). Note that DOCSIS-Type in Figure 7-4 is the application specific implementation of the IPDR element shown in Figure 7-3. Thus, the DOCSIS specific elements are sub elements of the IPDR element.<sup>2</sup>

<sup>1</sup> Revised the second sentence in this paragraph per ECN OSSv2.0-N-05.0209-4 by GO on 3/16/05.

<sup>2</sup> Revised the second sentence in this paragraph per ECN OSSv2.0-N-05.0209-4 by GO on 3/16/05.



**Figure 7-4 DOCSIS IPDR 3.5 XML schema for DOCSIS Service Specification**

The following elements and attributes are the only ones used by the DOCSIS Cable Data Systems Subscriber Usage Billing Record IPDR instance document (see Annex B). These elements and attributes are described below:

**IPDR Subscriber Usage Elements:**

1. The IPDRDoc element is the outermost element that describes the IPDR billing file itself. It defines the XML namespace, the identity of the XML schema document, the version of the specification, the timestamp for the file, a unique document identifier, and the identity of the IPDR recorder. An IPDRDoc is composed of multiple IPDR records. The attributes for the IPDRDoc element MUST be as follows:
  - a) xmlns=http://www.ipdr.org/namespaces/ipdr  
Constant: the XML namespace identifier. Defined by ipdr.org.
  - b) xmlns:xsi=http://www.w3.org/2001/XMLSchema-instance  
Constant: the XML base schema identifier. Defined by ipdr.org.
  - c) Constant: the name of the DOCSIS application specific schema file:  
`xsi:schemaLocation="DOCSIS-3.5.1-A.0.xsd"1`
  - d) Constant: the version of the IPDR document. Defined by ipdr.org:  
`version="3.5.1-A.0"2`.
  - e) creationTime = "yyyy-mm-ddThh:mm:ssZ"  
UTC time stamp at the time the billing file is created (in ISO format). For example: creationTime="2002-06-12T21:11:21Z". Note that IPDR timestamps MUST always be in UTC/GMT (Z). The compact representation of this element is the 32-bit unsignedLong value since EPOCH ([IPDR/SSDG]).
  - f) docId="<32-bit UTC timestamp>-0000-0000-0000-<48-bit MAC address>" The unique document identifier. The DOCSIS docId is in a simplified format that is compatible with the Universal Unique Identifier (UUID) format required by the IPDR [IPDR/BSR] specification. The 32-bit UTC timestamp component MUST be the IPDRDoc creationTime in seconds since the epoch 1 Jan 1970 UTC formatted as eight hex digits. The 48-bit MAC address component MUST be the Ethernet address of the CMTS management interface formatted as 12 hex digits. All other components MUST be set to zero. In the context of the minimum 15-minute IPDR billing file collection cycle specified in this document, this simplified UUID is guaranteed to be unique across all CMTSes and for the foreseeable future. For example: docId="3d07b8f9-0000-0000-0000-00015c11bfbe".
  - g) IPDRRecorderInfo="hostname.mso.com"  
Identifies the IPDR Recorder (IR) from the network model in Figure 7-2. This attribute MUST identify the billing record formatter by the fully qualified hostname of the CMTS. If a hostname is not available, then this MUST be the IPv4 address of the CMTS formatted in dotted decimal notation.
2. An IPDR element MUST describe a single Subscriber Usage Billing Record for a single DOCSIS service class (DOCSIS 1.0 Class of Service or DOCSIS 1.1 Service Flow). The IPDR is further structured into DOCSIS specific sub elements that describe the details of the CMTS, the subscriber (CM and CPE), and the class of service itself. While the generic IPDR record structure is designed to describe most time-based and event-oriented IP services, this feature is not particularly relevant to the Cable Data Service Subscriber Usage Billing Records and is largely ignored. This is because a service session at the CMTS is just the aggregate

---

<sup>1</sup> Revised this constant per ECN OSSv2.0-N-05.0209-4 by GO on 3/16/05.

<sup>2</sup> Revised this constant per ECN OSSv2.0-N-05.0209-4 by GO on 3/16/05.

usage of an active class of service (e.g. Service Flow) during the billing collection interval. Another way to look at it is as if there is really only one event being recorded: the billing collection event itself. The attributes for the IPDR element are:

`xsi:type="DOCSIS-Type"`

Constant: identifies the DOCSIS application specific type of the IPDR record. (See items 5 through 25 below)<sup>1</sup>

3. The IPDRcreationTime element identifies the time associated with the counters for this record. The format MUST be the same as the IPDRDoc creationTime attribute (see 1e. above). Note that this sub element is optional in the basic IPDR 3.5.1 schema, and Supported for previous DOCSIS specifications of Subscriber Usage Billing Records. This specification deprecate the mandatory requirements of IPDRCreationTime and MUSTNOT be supported by DOCSIS IPDRs.<sup>2</sup>
4. The seqNum elements of the basic IPDR 3.5.1 schema MUST NOT be used in DOCSIS IPDRs.<sup>3</sup>

**Note:** There is no ordering implied in DOCSIS IPDRs within an IPDRDoc.

#### **CMTS Subscriber Usage elements:**

5. The CMTShostName element is a required element that contains the fully qualified domain name (FQDN) of the CMTS if it exists. For example: cmts01.mso.com. This element MUST be null if no FQDN exists (i.e. `<CMTShostName></CMTShostName>` or `<CMTShostName/>`).
6. The CMTSipAddress element contains the IP address of the management interface of the CMTS. This element is required and MUST be represented in standard IPv4 decimal dotted notation (for example: 10.10.10.1). XDR encoding type is IPv4Addr (a 32-bit network address).
7. The CMTSsysUpTime element contains the value of the sysUpTime SNMP object in the CMTS taken at the record creation time (RecCcreationTime). This element is required and MUST be the count of 100ths of seconds since the CMTS management interface or CMTS interface module was initialized whichever is most appropriate for a given CMTS architecture. If the CMTSsysUpTime regresses between adjacent IPDR records, then a condition has occurred where all SFID/SIDs counters have been reset to zero. Note well: this value is not required to be the same for all records in an IPDRDoc.<sup>4</sup>
8. The CMTScatvIfName contains the first 50 characters of the ifName from the Interfaces Group MIB for the row entry corresponding to the CMTS CATV interface (ifType = 127) for this CM.
9. The CMTScatvIfIndex contains the ifIndex from the Interfaces Group MIB for the row entry corresponding to the CMTS CATV interface (ifType = 127) for this CM. This element guarantees uniqueness of DOCSIS 1.1 SFID or DOCSIS 1.0 SID across multiple MAC domains.
10. The CMTSupIfName contains the first 50 characters of the ifName from the Interfaces Group MIB for the row entry corresponding to the CMTS upstream interface (ifType = 129 or 205) for this CM. CMTSupifName is defined as in [RFC 2863] If there is no local name, or this object is otherwise not applicable, then this object contains a zero-length string.

---

1. Revised this sentence per ECN OSSIV2.0-N-05.0209-4 by GO on 3/16/05.

2. Revised this paragraph per ECN OSSIV2.0-N-05.0209-4 by GO on 3/16/05.

3. Revised this sentence per ECN OSSIV2.0-N-05.0209-4 by GO on 3/16/05.

4. Revise the first sentence in this paragraph per ECN OSSIV2.0-N-05.0209-4 by GO on 3/16/05.

11. The CMTSupIfType contains the ifType value of the interface the CM is associated with. If CM is using a regular DOCSIS Upstream Channel it reports a value 129. If the CM is using a DOCSIS 2.0 Upstream Logical Channel (205) it reports 205
12. The CMTSdownIfName contains the first 50 characters of the ifName from the Interfaces Group MIB for the row entry corresponding to the CMTS downstream interface (ifType = 128) for this CM. CMTSdownifName is defined as in [RFC 2863] If there is no local name, or this object is otherwise not applicable, then this object contains a zero-length string.

#### CM Subscriber Usage Elements:

13. The CMmacAddress element contains the unique identifier of the subscriber. This element is required and MUST be the subscriber's cable modem 48-bit MAC address formatted as dash '-' delimited hex values. For example: a1-b2-c3-d4-e5-f6. The XDR compact representation of this element is the long type macAddress with the first two bytes set to zero.
14. The CMIpAddress element contains the current IP address of the subscriber's cable modem. This element is required and MUST be represented in standard IPv4 decimal dotted notation (for example, 10.100.100.123). The XDR encoding type is Ipv4Addr (a 32-bit network address) ([IPDR/SSDG]) Note that this address can change over a set of IPDRDoc files if the operator's DHCP server reassigns IP addresses to cable modems.
15. The CMdocsisMode element identifies the registration mode of the CM as "DOCSIS 1.0", "DOCSIS 1.1", or in XDR compact representation as integer values 10 and 11 respectively. If the registration mode is DOCSIS 1.0 (CMdocsisMode = 10) the element serviceIdentifier corresponds to the SID associated to the CM. If CMdocsisMode is 11, the serviceIdentifier value corresponds to a SFID.
16. The CMcpeInfoList element MUST contain a list (array) of CMcpeInfo structures using this CM during the reporting interval. The CMcpeInfo structure consists of the IP, MAC and FQDN (Fully Qualified Domain Name) addresses of a CPE attached to the CM. If there are multiple CPEs attached to the CM there will be multiple occurrences of CmcpeInfo.

This Element is defined as compliant with [IPDR/BSR] specification but [IPDR/SP] still does not define those types, therefore CPE Info MUST NOT be supported until [IPDR/SP] Defines Array and Structs types.

i.e.

```

<CMcpeInfoList>
  <CMcpeInfo>
    <CMcpeIpAddress> IP value </CMcpeIpAddress>
    <CMcpeMacAddress> MAC Address value </CMcpeMacAddress>
    <CMcpeFqdn> FQDN value </CMcpeFqdn>
  </ CMcpeInfo>
  <CMcpeInfo>
    < ....
    .....>
  </ CMcpeInfo>
</CMcpeInfoList>

```

The CMcpeInfo structure consists of:

- a) The CMcpeIpAddress element MUST contain the current IPv4 address of a subscriber's CPE using this cable modem or null if not being tracked by the CMTS (i.e. <CMcpeIpAddress></CMcpeIpAddress> or <CMcpeIpAddress />). Note that the configuration state of the DOCS-SUBMGT-MIB influences whether CPE IP addresses are being tracked by the CMTS and are thus being reported in the IPDRs (The DOCS-SUBMGT-MIB controls the CM and CPE filters on the CMTS). Other mechanisms such as the ARP table may also be used in this case.

Collectors need to know that using compact representation the type ipV4Addr is encoded as zero, which is understood as an IP address 0.0.0.0

- b) The CMcpeMacAddress element MUST contain the current Ethernet MAC address of a subscriber's CPE using this cable modem or null if not being tracked by the CMTS (i.e.<CMcpeMacAddress></CMcpeMacAddress> or <CMcpeMacAddress />). The XDR compact representation of this element is the 6-byte hexBinary type macAddress.
- c) The CMcpeFqdn element MUST contain the Fully Qualified Domain Name (FQDN [RFC 1034]) assigned to a CPE using this CM during the reporting interval or null if the CPE FQDN cannot be gleaned from DHCP relay agent messages (i.e. < CMcpeFqdn ></ CMcpeFqdn >).

#### **Record Descriptor Subscriber Usage Elements:**

17. The RecType element identifies the kind of service flow being described by this IPDR. This element is required.

This element MUST have either of two integer values: 1 for "Interim" identifies this SF as currently running in the CMTS and 2 for "Stop" identifies this SF as having been terminated in the CMTS.

A running service flow or DOCSIS 1.0 SID has active counters in the CMTS and this IPDR MUST contain the current sample of these counters. A terminated service flow has logged counters in the CMTS and this IPDR MUST contain the final counter values for this service flow.

18. The RecCreationTime = "yyyy-mm-ddThh:mm:ssZ" UTC time stamp at the time the data for the record was acquired (note that this element has the same format as the IPDR IPDRDoc creationTime attribute. The compact representation of this element is the 64-bit Long value since EPOCH.<sup>1</sup>

**Note:** The internal logged SF counters on the CMTS MUST NOT be deleted until after the terminated service flow has been recorded into an IPDR record that has been transmitted to a collector and acknowledged or stored in non-volatile memory, regardless of any other capability to manage them via SNMP through the DOCS-QOS-MIB. DOCSIS 1.0 COS related counters are maintained in similar way, after SID termination the CMTS MUST keep those values (regardless of SID reallocation for other CM or services) and exported as an ' Stop' record time for the next IPDR collection interval.

#### **Subscriber Usage Elements:**

19. The serviceIdentifier element contains the internal service flow identifier (SFID) for DOCSIS 1.1 QOS provisioned CMs or the service ID SID for CMs provisioned in DOCSIS 1.0 mode known to the CMTS. This element is required and is needed to correlate the IPDRs for an individual service flows or DOCSIS 1.0 SIDs between adjacent IPDR records when computing delta counters. To avoid potential confusion in the billing system, it is desirable that the CMTS not reuse the serviceIdentifier component for a minimum of two collection cycles. Depending of the collection interval and services dynamics, this goal may not be practical. As an intermediate solution a DOCSIS 2.0 Compliant CMTS MAY assign serviceIdentifier (SFIDs/ SIDs) values with a monotonically increasing pattern.

---

<sup>1</sup>. Inserted this statement per ECN OSSiv2.0-N-05.0209-4 by GO on 3/16/05.

20. The serviceClassName element contains the name associated with the QoS parameter set for this service flow in the CMTS. The SCN is an ASCII string identifier, such as "GoldUp" or "SilverDn", that can be used by external operations systems to assign, monitor, and bill for different levels of bandwidth service without having to interpret the details of the QoS parameter set itself. A service flow is associated with an SCN whenever a cable modem configuration file uses the SCN to define an active service flow. A dynamic service flow application such as PacketCable [PKT-DQOS] may also assign an SCN to a service flow as a parameter during the dynamic creation of the service flow. Note that the use of SCNs is optional within the context of the DOCSIS 2.0 RFI specification, however, for operational purposes, especially when billing for tiered data services per this specification, their use often becomes mandatory. Since this policy is within the control of the operator, the use of SCNs is not mandatory in this specification, but rather highly recommended.

**Note:** This element is required in the IPDR record, but if no SCN is used to identify the service flow in the CMTS, then this element MUST have a null value (that is <serviceClassName></serviceClassName> or <serviceClassName/>)(i.e. DOCSIS 1.0 CM provisioning, or DOCSIS 1.1 SFs provisioned without an SCN parameter).

21. The serviceDirection element identifies the service flow direction relative to the CMTS RFI interface. This element is required: It MUST have one of two integer values:

- Identifies DOCSIS 1.1 downstream service flows passing packets from the CMTS to the CM or DOCSIS 1.0 downstream traffic records.
- Identifies upstream DOCSIS 1.1 service flows passing packets from the cable modem to the CMTS or DOCSIS 1.0 CM upstream SIDs.

22. The serviceOctetsPassed element MUST contain the current (or final) 64-bit count of the number of octets passed by this service flow formatted in decimal notation. For DOCSIS COS CM provisioning, this element MUST contain the current (or final) count of octets passed by this SID or CM Downstream packets, depending on serviceDirection. This element is required. If the RecType is Interim, then this is the current value of the running counter. If the RecType is Stop, then this is the final value of the terminated counter. The 64-bit counter value will not wrap around within the service lifetime of the CMTS.

23. The servicePktsPassed element MUST contain the current (or final) 64-bit count of the number of packets passed by this service flow for DOCSIS QOS CM provisioning. For DOCSIS COS CM provisioning this element MUST contain the current (or final) count of packets passed by this SID or CM Downstream packets, depending on serviceDirection. This element is required. If the RecType is Interim, then this is the current value of the running counter. If the RecType is Stop, then this is the final value of the terminated counter. The 64-bit counter value will not wrap around within the service lifetime of the CMTS.

24. The serviceSlaDropPkts and serviceSlaDelayedPkts elements contain the current 32-bit count of the number of packets dropped or delayed by this service flow due to enforcement of the maximum throughput limit specified by the Service Level Agreement (SLA) as implemented by the QoS parameter set of the DOCSIS QOS CM provisioning. For DOCSIS COS CM provisioning, these counters are optional; if not supported a zero value is reported. These elements are required for all service flows. For upstream service flows, these counters report zero. These counters are formatted in decimal notation. If the RecType is 'Interim', then this is the current value of the running counter. If the RecType is 'Stop', then this is the final value of the terminated counter. The 32-bit counter value will not wrap around within the service lifetime of the CMTS.

25. The serviceTimeCreated is the 32-bit unsigned integer value of the SysUptime of the CMTS system or CMTS interface module, whichever is most appropriate for a given CMTS architecture. When Service Flow was created for DOCSIS QOS CM provisioning. For DOCSIS COS CM provisioning is the time the non-temporary SID is created and for downstream CM traffic it indicates the time the CM registers. This element value is the same for all interim records associated with same SFID or SID, otherwise it is an indication that this value correspond to a new SFID/SID. This element is required.

26. The serviceTimeActive contains the total time that the Service Flow is active in seconds for DOCSIS QOS CM provisioning. For DOCSIS COS CM provisioning is the total time the non-temporary SID is active. This element is required. If RecType = 'stop' this value corresponds to the total number of accumulated active seconds when the Service Flow was deleted or the DOCSIS COS provisioned CM de-registers.

**IPDR Subscriber Usage Elements:<sup>1</sup>**

27. IPDRDoc.End is the last element inside IPDRDoc that describes the IPDR billing file itself. It defines the count of IPDRs that are contained in the file and the ending timestamp for the file creation.

a) count="nnnn"

Where nnnn is the decimal count of the number of IPDR records in this IPDRDoc.

b) endTime="yyyy-mm-ddThh:mm:ssZ"

is the UTC time stamp at the time the billing file is completed (formatted as above). For example: endTime="2002-06-12T21:11:23Z".

For IPDR/SP protocol It is left to the collector to generate IPDRDoc.End based on SessionStop message for an specific docId, see section 7.1.3.5.4. In addition IPDRDoc.End is an [IPDR/BSR] optional field and it is included in this section for information purposes with no requirements for CMTS Exporter.

**7.1.2.3 Billing Collection Interval**

Subscriber Usage Billing Records report the absolute traffic counter values for each Service Flow used by a

Cable Modem or Class of Service (Subscriber) that has become active during the billing collection interval as seen at the end of the interval. It is understood that CMs registering in DOCSIS 1.0 mode uses are associated to SFIDs and CMs that register in DOCSIS 1.1 mode are associated to SFIDs; In this section the term SFID/SID is used to refer to both cases. The collection interval is defined as the time between:

- The creation of the previous billing document denoted as Tprev and
- The creation of the current billing document denoted as Tnow.

See Figure 7-5 below. There are two kinds of Service Flows that are reported in the current billing document: 1) SFIDs/SIDs that are still running at the time the billing document is created and 2) terminated SFIDs/SIDs that have been deleted and logged during the collection interval. A provisioned or admitted state SF that was deleted before it became active MUST NOT be recorded in the billing document, even though it was logged by the CMTS.

The CMTS MUST report any currently running SFIDs/SIDs using Tnow as the timestamp for its counters and MUST identify them in the IPDR RecType element as 'Interim'. Terminated SFIDs/SIDs that have a deletion time (Tdel) later than Tprev are the only ones reported in the current billing document (i.e. a terminated SF MUST BE reported exactly once). A CMTS MUST report a terminated SFID/SID using its Tdel from the log as the timestamp for its counters and MUST identify it in the IPDR RecType element as 'Stop'. Note that the timestamps are based on the formatter's reporting times. Since the collection cycle may vary over time, the reporting times in the billing document can be used to construct an accurate time base over sequences of billing documents.

In the example shown in Figure 7-5 below there are four Service Flows recorded for a Subscriber in the current billing document being created at Tnow. SFa is a long running SF that was running during the previous collection interval (it has the same SFID in both the current and the previous billing documents). SFa was recorded as type Interim at Tprev in the previous billing document and is recorded again as type Interim at Tnow in the current document. SFb is a running SF that was created during the current collection interval. SFb is recorded as type Interim for the first time at Tnow in the current document. SFc is a terminated SF that was running during the previous collection interval but was deleted and logged during the current collection interval. SFc was recorded

---

<sup>1</sup>. Revised this element description per ECN OSSiv2.0-N-05.0209-4 by GO on 3/16/05.

respectively as type Interim at  $T_{prev}$  in the previous billing document and is reported as type Stop at the logged  $T_{del}(c)$  in the current document.  $SF_d$  is a terminated SF that was both created and deleted during the current collection interval.  $SF_d$  is reported only once as type Stop at the logged  $T_{del}(d)$  in the current billing document only.

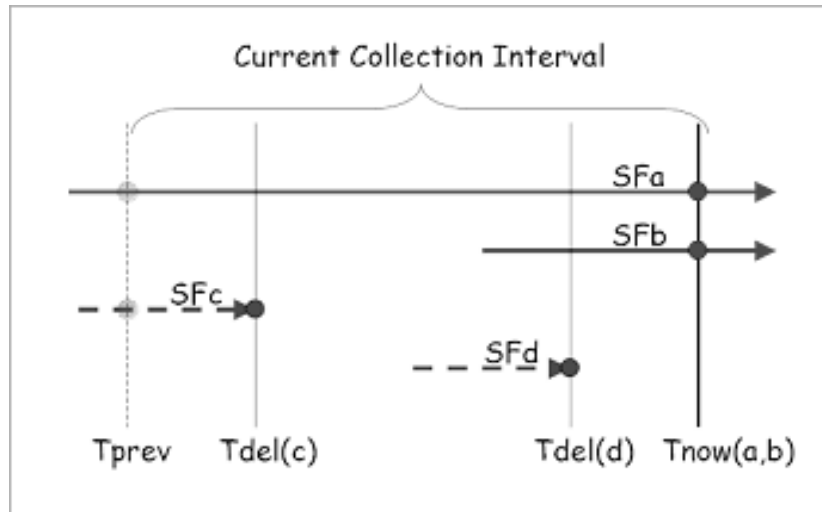


Figure 7-5 Billing Collection Interval Example

#### 7.1.2.4 Usage Record Streaming Model

Usage billing records are built by the record formatter on the CMTS and are then transmitted to the collection system using the IPDR Streaming Protocol IPDR/SP [IPDR/SP].

The IPDR/SP Protocol is an application running over a reliable, connection oriented transport layer protocol such as TCP. It allows exporting high volume of Data Records from a Service Element with an efficient use of network, storage, and processing resources. There are also bi-directional control message exchanges, though they only comprise a small portion of the traffic.

The IPDR/SP [IPDR/SP] was built upon two existing specifications, namely IPDR's [IPDR/BSR] IPDR/XDR [IPDR/XDR] file format and [RFC 3423], Common Reliable Accounting for Network Elements (CRANE).

It enables efficient and reliable delivery of any data, mainly Data Records from Service Elements (the record formatters that are denoted as the "Exporters") to any collection systems (that are denoted as the "Collectors"), such as mediation systems and BSS/OSS. Note that the term "Exporter" corresponds to the CMTS, unless otherwise specified.

Since the IPDR Streaming Protocol may evolve in the future and it may run over different transport layers, a transport neutral version negotiation is needed. An Exporter or a Collector should implement version discovery and negotiation mechanism running over UDP as defined in section 6. of [IPDR/SP]. Either party may inquire about the Streaming Protocol version and transport layer support by sending a UDP packet on a configured UDP port. If the receiving party implements version discovery and negotiation, it MUST respond to this request with a UDP packet carrying the protocol version, the transport type and the port number used for the specific transport.

##### 7.1.2.4.1 Sessions, Documents and Collector Priorities

A Session is a logical connection between an Exporter and one or more Collectors for the purpose of delivering Data Records. For any given Session, a single active Collector will be targeted with those Data Records. Multiple Sessions may be maintained concurrently in an Exporter or Collector, in which case they are distinguished by Session IDs. For a complete specification of the IPDR/SP Sessions see section 2.12 of [IPDR/SP].

A Collector is assigned a Priority value. Data Records should be delivered to the Collector with the highest Priority value (the primary Collector) within a Session. The Collector Priority reflects the Exporter's preference regarding which Collector should receive Data Records. The assignment of the Collector Priority should consider factors such as geographical distance, communication cost, and Collector loading, etc. It is also possible for several Collectors to have the same priority. In this case, the Exporter could randomly choose one of them as the primary Collector to deliver Data Records.

The IPDR/SP Protocol provides for open-ended streaming of data records as they are created, or as an option, logical boundaries may also be placed between groups of data records as well. A logical range of data records is called a 'document'. For more information on this topic see section 2.4 of [IPDR/SP]. In this specification, an IPDR document is defined as a series of IPDR/XDR records that were generated at the end of a collection interval as defined in Section 7.1.2.3 Billing Collection Interval. The CMTS (Exporter) MAY create a new IPDR document at each scheduled billing collection interval by starting, transmitting, and stopping an IPDR/SP Session with a Collector. Note that between scheduled collection cycles, the CMTS and the Collector(s) maintain an open TCP stream Connection and the Collector is also in a flow ready state. Thus, the CMTS MAY maintain an open session and transmit Data Records at any time. As an alternative, the CMTS MAY initiate a new Session when it is ready to transmit a complete set of IPDR records to the Collector for the current collection interval, or maintain an open Session all time. Once the complete set of IPDR records has been transmitted, the CMTS MAY end the Session thereby closing the IPDR document for the current collection interval. The CMTS MAY also leave the session open until the next collection interval. In addition to the scheduled collection cycles, the CMTS MAY also initiate an unscheduled Session with a Collector whenever it needs to transmit IPDR records for terminated SFs because it is in danger of losing data (e.g. its SF log buffer is about to overflow). This unscheduled Session will only contain RecType = Stop IPDR records for the terminated SFs in the log buffer, thereby clearing the buffer. It is imperative that logged SFs are only reported once into an IPDR document. If no connection is available (e.g. for an unscheduled Session or constantly open Session) with a Collector, then the CMTS MUST delete the oldest SF log entries first.

Other Management strategies may provide Collector control over the streaming data by executing FlowStop and FlowStart at its convenience (for example to perform load balancing or force the termination of streaming from an Exporter).

#### **7.1.2.4.2 Data Types and Message Format**

IPDR/SP [IPDR/SP] describes its message format using an augmented form of RFC1832, External Data Representation (XDR) [IPDR/XDR]. Two augmentations of XDR used by [IPDR/XDR] that enable a more concise and formal C style syntax for describing protocol message formats, are as follows:

1. Support for indefinite length specification. This allows for stream based encoding of information without knowing or calculating the entire length of a message or document in advance. The value of -1 in a length field indicates that, based on Template information, a decoder should be able to determine where a message completes.
2. No 32-bit alignment padding. Beginning in IPDR 3.5.1, both IPDR/XDR [IPDR/XDR] and IPDR/SP [IPDR/SP] remove the padding constraint specified by XDR. This allows for specification to the byte level of structures. This augmentation is described in section 3.20 of RFC1832, "Areas for Future Enhancement".<sup>1</sup>

---

<sup>1</sup> Revised the first sentence of this paragraph per ECN OSSiv2.0-N-05.0209-4 by GO on 3/16/05.

For a complete specification of the IPDR/SP [IPDR/SP] message format see section 3. of this specification.

The type IDs for the base types and the derived types used in the protocol, the data structure as well as the data representation are described respectively in sections 2.2.1, 2.2.2 and 2.3 of the [IPDR/SP] specification.

#### **7.1.2.4.3 Templates and Service Definitions**

The IPDR/SP Protocol utilizes the concept of Templates in order to eliminate the transmission of redundant information such as field identifiers and typing information on a per accounting record basis.

A Template is an ordered list of Field Identifiers. A Field Identifier is the specification of a Field in the Template. It specifies an accounting item that a Service Element (e.g CMTS) may export. Each Field specifies the Type of the Field. [IPDR/SP] specifies that Templates may be optionally negotiated upon setup of the communication between the Exporter and the Collector. This allows the Exporter to avoid sending Fields that the Collector is not interested in. Several Templates can be used concurrently (for different types of records). Fields contained in a Template could be enabled or disabled. An enabled Field implies that the outgoing data record will contain the data item specified by the key. A disabled Field implies that the outgoing record will omit the specified data item. The enabling/disabling mechanism further reduces bandwidth requirements; it could also reduce processing in Service Elements, as only needed data items are produced. For a complete specification of the IPDR streaming Templates see sections 2.6, 2.8 and 4.4 of the IPDR streaming specification [IPDR/SP]. DOCSIS 2.0 Compliant CMTSes MUST implement a Template for the DOCSIS-3.5.1-A.0.xsd schema (see B.2 DOCSIS IPDR Subscriber Usage Billing Service Schema) where all fields are enabled. Also, in this specification Template Negotiation capability is optional in the CMTS and the CMTS vendor MAY choose to not implement this capability.<sup>1</sup>

The IPDR/SP Protocol incorporates IPDR/Service Definitions, based on XML-Schema, by reference.

A Template references an IPDR Service Definition document, where a more complete definition of the Template is included. IPDR/Service Definitions describe in detail the properties of the various accounting records and their fields (see Service Specification Design Guide 3.5.1 [IPDR/SSDG]).<sup>2</sup>

#### **7.1.2.4.4 Flow Control and Data Reliability**

Flow control mechanisms are employed to ensure that data is sent from an Exporter to a Collector only if it is ready to receive data. Four messages are employed to support flow control:

- FlowStart and FlowStop are sent by the Collector to indicate whether it is ready or not ready to receive data.
- SessionStart and SessionStop messages are sent by the Exporter to designate the associated Collector the active/inactive Collector and to provide information about the IPDR document being transmitted within the Session.

Flow control mechanisms are likewise used to indicate to the Collector whether an Exporter is sending to it data as the primary Collector or it is a redundant/backup Collector for some other Collector that is currently Primary. The Flow control also provides information on the data sequence numbers and document Id so that the Collectors can collectively guarantee that no Data Records are lost. For the complete specification of the IPDR flow control mechanism see sections 2.8, 2.10, 2.11 and 4.3 of the IPDR/SP specification [IPDR/SP].

---

<sup>1</sup> Revised the twelfth sentence per ECN OSSlv2.0-N-05.0209-4 by GO on 3/16/05.

<sup>2</sup> Revised this paragraph per ECN OSSlv2.0-N-05.0209-4 by GO on 3/16/05.

To further reduce the likelihood of data loss IPDR/SP Messages are acknowledged after they have been processed and the accounting information has been placed in persistent storage. See section 2.9 of IPDR/SP specification [IPDR/SP].

#### **7.1.2.4.5 Message Detail and IDL Definition**

The complete message set defined for IPDR/SP and the normative IDL specification for constructing IPDR/SP messages are defined respectively in sections 4. and 8. of [IPDR/SP] The Service Model used by this specification is represented in IDL format in Annex B.3

### **7.1.2.5 Billing Usage Security Model**

#### **7.1.2.5.1 IPDR Streaming Security Model**

In an IPDR streaming scenario, before any Sessions can be initiated, a set of Collectors' addresses should be provisioned on the CMTS (Exporter). Similarly, a Collector maintains a list of Section 7.1.3.5.3 Exporters' addresses with which it communicates. The provisioning is typically carried out securely using a network management system; in this way, the end-points can be authenticated and authorized. As this scheme is static, without additional security protections the protocol is vulnerable to attacks such as address spoofing.

IPDR/SP does not offer strong security facilities; therefore, it cannot ensure confidentiality and integrity or non repudiation of its messages. It is strongly recommended that administrators evaluate their deployment configurations and implement appropriate security policies.

To achieve strong security, lower layer security services are strongly recommended. The lower layer security services are transparent to IPDR/SP. Security mechanisms may be provided at the IP layer using IPsec [[RFC 2401], or it may be implemented for transport layer using TLS [RFC 2246]. The provisioning of the lower layer security services is out of the scope of the IPDR streaming specification.

### **7.1.3 DOCSIS Subscriber Usage Billing Requirements**

DOCSIS 2.0 compliant CMTSes MUST support Subscriber Usage Billing by implementing this Subscriber Accounting Management Interface Specification (SAMIS) based on IPDR.org's BSR specification version 3.5 [IPDR/BSR].

DOCSIS 2.0 compliant CMTSes MUST implementation following SAMIS feature set:

#### **7.1.3.1 CMTS IPDR specifications support**

DOCSIS 2.0 Compliant CMTSes MUST support IPDR/SP [IPDR/SP] introduced in Section 7.1.1.4 as the transport mechanism for Subscriber Usage Records. In terms of IPDR/SP CMTSes are categorized as "Exporters". Minimum CMTS (Exporters) conformance to [IPDR/SP] is outlined in Section 7.1.3.2.

DOCSIS 2.0 compliant CMTSes MAY also support IPDR/File transfer v 3.5.0.1 [IPDR/FILE].<sup>1</sup>

DOCSIS 2.0 Compliant CMTS MUST support the DOCSIS Service Requirements outlined in Section 7.1.1.3 High-Level Requirements for Subscriber Usage Billing Records. DOCSIS 2.0 compliant CMTSes MUST implement the Usage Billing records Elements as defined in Annex B.1.2 DOCSIS IPDR Service Usage Element

---

<sup>1</sup>. Revised this sentence per ECN OSSiv2.0-N-05.0209-4 by GO on 3/16/05.

List and MUST observe the syntax and semantics requirements specified in Section 7.1.2.2 IPDR Record Structure.

DOCSIS 2.0 Compliant CMTSes MUST support Usage billing records encoded by IPDR/XDR File Encoding Format v 3.5.1 [IPDR/XDR] specification. DOCSIS 2.0 Compliant CMTSes MAY optionally support XML file encoding as specified in IPDR/XML File Encoding Format [IPDR/XML] specification.<sup>1</sup>

DOCSIS 2.0 Compliant CMTSes MUST support the UDP-based Service Discovery Protocol described in section 6 of IPDR Streaming Protocol [IPDR/SP]

DOCSIS 2.0 Compliant CMTSes MAY support the advertisement upon request of IPDR capabilities as described in IPDR/Capability File Format v 3.5.0.1 [IPDR/CAPAB]. The retrieval of this file is vendor dependent. Same information is available via the Service Discovery described above.<sup>2</sup>

### **7.1.3.2 IPDR Streaming Transport**

DOCSIS 2.0 Compliant CMTSes MUST support the minimum conformance feature set for the IPDR Transport Protocol as follows:

#### ***7.1.3.2.1 IPDR IP transport Protocol***

DOCSIS 2.0 compliant CMTS MUST support IPDR streaming protocol [IPDR/SP] over TCP.

#### ***7.1.3.2.2 Streaming Flow Control and Messaging***

IPDR/SP [IPDR/SP] defines three main states in its model: 1) Connection, 2) Flow and 3) Session. Connections are initiated by either Collectors or Exporters. Flows are initiated by Collectors only and Sessions are initiated by Exporters (CMTSes) only. See [IPDR/SP] Table -1 for details. DOCSIS requires CMTSes to implement only a subset of the Streaming Flow control features as follows:

##### ***7.1.3.2.2.1 Streaming Flow Connection and Messaging***

DOCSIS 2.0 Compliant CMTSes MAY initiate Connections to Collectors but are not required to do so. DOCSIS 2.0 Compliant CMTSes MAY support the generation of IPDR Streaming Connect messages.

DOCSIS Compliant CMTSes MUST support IPDR Streaming messages ConnectResponse, Disconnect, KeepAlive and Error messages in order to establish and manage Streaming connections with Collectors.

DOCSIS 2.0 Compliant CMTSes MUST accept a minimum of two Collector initiated streaming connections in addition to any CMTS initiated Connections. A minimum of two Sessions is required for streaming robustness and redundancy.

IPDR streaming includes Template Negotiation allowing Collectors to adjust the data streams to include only the information that is relevant to their systems. DOCSIS 2.0 Compliant CMTSes MAY support Template Negotiation, therefore the support of the IPDR/SP message ModifyTemplateResponse is optional. If the DOCSIS 2.0 Compliant CMTS implements Template Negotiation capability, then all messages within the Template Negotiation protocol MUST be supported and the CMTS MUST respond appropriately with a set the

---

<sup>1</sup> Revise the first sentence of this paragraph per ECN OSSlv2.0-N-05.0209-4 by GO on 3/16/05.

<sup>2</sup> Revise the first sentence of this paragraph per ECN OSSlv2.0-N-05.0209-4 by GO on 3/16/05.

fieldDescriptor tags described in the ModifyTemplateResponse message (Section 7.1.3.5.3). If the DOCSIS 2.0 Compliant CMTS does not implement Template Negotiation, a Collector ModifyTemplate message MUST be replied to with a static ModifyTemplateResponse similar to the described in Section 7.1.3.5.3.

DOCSIS 2.0 compliant CMTSes MAY support IPDR Capability File Negotiation. If the CMTS provides this function, then Communication Negotiation MUST be supported. Communication Negotiation allows the Exporter and the Collector to negotiate communication parameters. The Communication Negotiation allows both the Collector and the Exporter to acknowledge that they are capable of participating in the exchange of records via IPDR Streaming as and identify their ability to support optional protocol capabilities.

These requirements are anticipated to evolve as new Service Definitions are introduced and enhanced configuration and reliability strategies are introduced.

For Collector initiated Connections, a pre-configured Exporter configuration of primary/secondary Collectors and Templates should be assigned for Exporter being able to map primary/secondary Sessions and Templates. Such configuration is not currently defined by this specification.

#### **7.1.3.2.2 Streaming Flow Sessions**

DOCSIS 2.0 Compliant CMTSes MUST support SessionStart and SessionStop messages to as indicated in [IPDR/SP].

DOCSIS 2.0 Compliant CMTSes MUST support at a minimum of 1 Data Streaming Session per connection.

DOCSIS 2.0 Compliant CMTSes MUST handle a minimum of 1 Template per Session, which is transmitted to the Collector via the TemplateData message as described in [IPDR/SP] section 4.4. See Section 7.1.3.5 Default DOCSIS IPDR/SP Flow for details of CMTS default TemplateData message requirements.

By default Exporters (CMTSes) are 'ready' to send Subscriber Usage Billing records. It follows that DOCSIS 2.0 Compliant CMTSes MUST support the export of DOCSIS COS and DOCSIS QOS as defined in Section 7.1.2.2 IPDR Record Structure

DOCSIS 2.0 Compliant CMTSes MUST send Subscriber Usage Data records for the associated Template Service in a periodic manner with a minimum collection time interval of 15 minutes. See Section 7.1.2.4.1 Sessions, Documents and Collector Priorities section for the definition of the relationship between IPDR/SP Sessions, IPDR/XDR documents, and collection intervals.

#### **7.1.3.3 Subscriber Usage Records collection and Configuration**

DOCSIS 2.0 compliant CMTSes SHOULD provide a management interface for IPDR/XDR/Streaming set of mandatory requirements not limited to:

1. Authorized Collectors access list.
2. Redundant Collector Policies for Streaming Sessions.
3. Configuration of Time intervals for exporting Subscriber Usage records.
4. IPDR/SP KeepAlive ackSequenceInterval and ackTimeInterval parameters.

### 7.1.3.4 DOCSIS Records Optimization

DOCSIS 2.0 compliant CMTSes MAY provide mechanisms to prevent exporting Subscriber Usage Records (record suppression) that contain redundant information from a Collector perspective. If traffic counters (octets or packets) of a SFID or DOCSIS 1.0 SID reported in a previous collection interval do not change, a CMTS 2.0 Compliant CMTS MUST NOT generate a record of this SFID or DOCSIS 1.0 SID for this collection interval. The serviceTimeActive counter is not considered a traffic counter and therefore does not influence record suppression.

### 7.1.3.5 Default DOCSIS IPDR/SP Flow

DOCSIS 2.0 Compliant CMTSes MUST support the basic default streaming operation model described in this section. For convenience Figure 7-6 is a replication of [IPDR/SP] Figure 1 "IPDR/Streaming Simple State Diagram". Figure 7-6 represents the minimum DOCSIS requirements for IPDR/SP state in the CMTS for Collector Initiated Sessions. Note that this model does not include optional Template Negotiation.

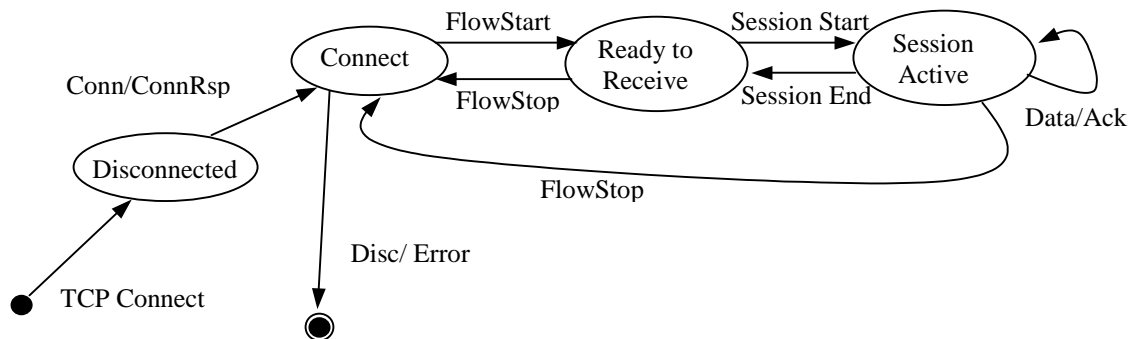


Figure 7-6 IPDR/SP Simple State Diagram

#### 7.1.3.5.1 Flow Diagram of Default DOCSIS IPDR/SP Flow<sup>1</sup>

Figure 7-7 illustrates the Streaming Protocol flow diagram based on the DOCSIS default Streaming Flow set of requirements. Neither this figure nor the explanations provided in Figure 7-2 limit the ability of a Collector or Exporter (CMTS) to be fully compliant with the IPDR Streaming Protocol flow diagram [IPDR/SP]. Note that this figure models a DocId boundary (established by the IPDR Streaming Session Start/Stop messages) that is used to identify the records created during a collection interval. A single continuously open session/document will span a single collection interval and will be closed at the end of the interval. Each session/document will include one exported Interim record for each existing DOCSIS 1.0 Class of Service or DOCSIS 1.1 Service Flow (herein Service) that is active at the start of the session and one exported Stop record for each Service that is deleted during the session. If a Service is both created and deleted within the collection interval, then only a single Stop record is exported. Since the collection interval may be up to 24 hours long, it is likely that Keep-Alive messages will be sent periodically to indicate that the session/document is still open but there are no Stop records to export at the moment. Later, at the end of the collection interval, the current session/document is terminated with a SessionStop message, a new DocId is created, and the next session/document is started with a SessionStart message.

<sup>1</sup>. Replaced this section per ECN OSSlv2.0-N-05.0209-4 by GO on 3/16/05.

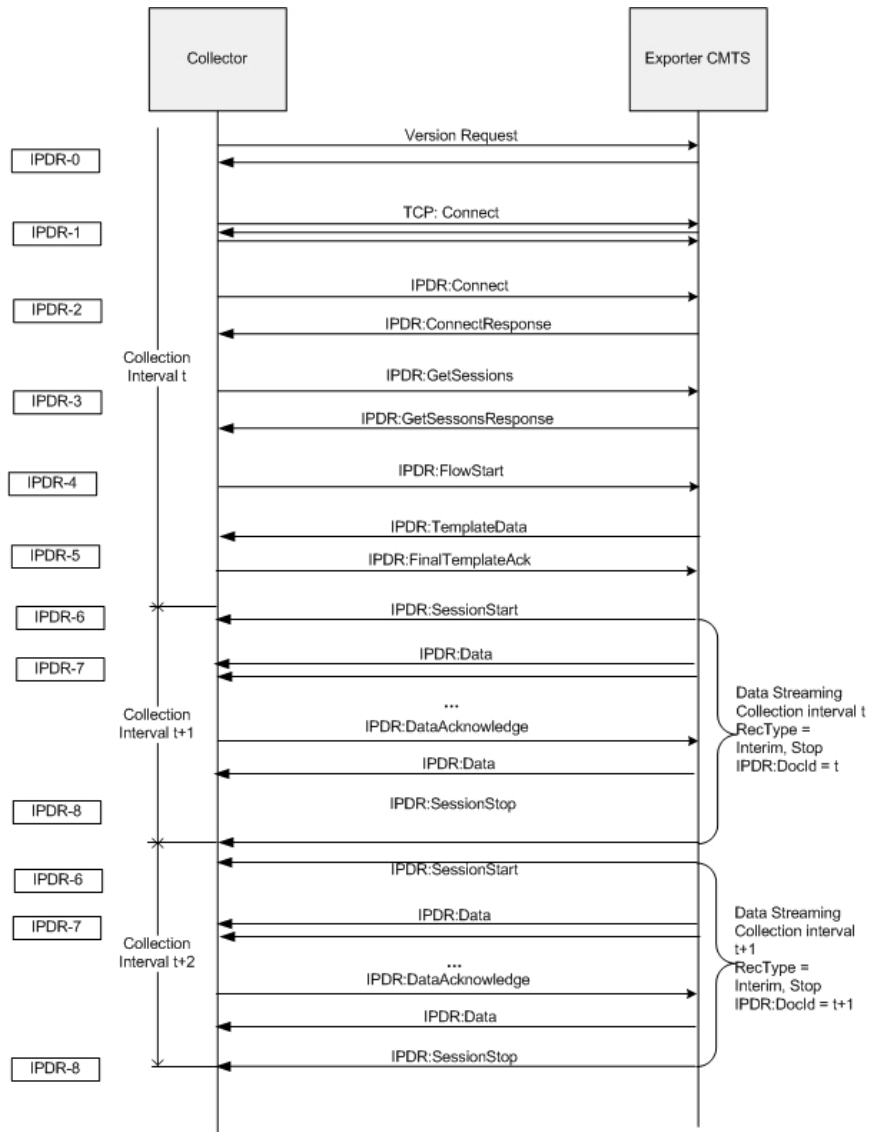


Figure 7-7 Flow Diagram for DOCSIS Default Streaming Requirements

**Table 7-1 Default DOCSIS Streaming Flow Diagram**

Flow	Default DOCSIS Streaming Flow Diagram Description
IPDR-0	Prior to Streaming Connection, Collector may query Exporter for version request (discovery).
IPDR-1	Collector initiates the TCP connection: Port 4737 (see Port Connections in Section XXX).
IPDR-2	Collector sends IPDR Connect message, sets capabilities flags and KeepAlive value Exporter (CMTS) replies with IPDR ConnectResponse message, see section xxx .
IPDR-3	Collector may request Sessions description to know what session ID and associated templates to use for streaming by GetSessions message request. Exporter (CMTS) reply with the GetSessionsResponse message.
IPDR-4	Collector is ready to start receiving data. Sends IPDR FlowStart message.
IPDR-5	Exporter (CMTS) sends a TemplateData message, see section xxx. Collector responds with FinalTemplateData message, see section xxx.
IPDR-6	Exporter (CMTS) starts the Session by sending IPDR SessionStart message. See section xxx.
IPDR-7	Data is streamed by Exporter (CMTS) and acknowledged by Collector IPDR DataAcknowledge messages.
IPDR-8	Exporter (CMTS) closes the IPDR Session with a SessionStop.
	Repeat Steps IPDR-6 through IPDR-8 based on the provisioned collection interval.

#### 7.1.3.5.2 DOCSIS Requirements for IPDR Streaming messages<sup>1</sup>

DOCSIS2.0 Compliant CMTSes MUST support the IPDR/SP messages as indicated in the following subsections, the structure IPDRStreamingHeader requirements are below:

<sup>1</sup>. Added this as a new section per ECN OSSlv2.0-N-05.0209-4 by GO on 3/16/05.

Message Field	Value, Notes
IPDRStreamingHeader	
version	2
messageId	see [IPDR/SP]
sessionId	0 or sessionId specific for messages in the context of FlowStart / FlowStop state machine boundary (see xxxx GetSessionResponse)
messageFlags	see [IPDR/SP]
messageLen	see [IPDR/SP]

IPDR/SP messaging requirements no detailed or in this or any other section MUST be conform to IPDR/SP specification [IPDR/SP].

#### 7.1.3.5.2.1 Requirements for IPDR Discovery message Version Request

DOCSIS 2.0 CMTSes Compliant MAY support UDP discovery message VersionRequest. If supported, DOCSIS 2.0 Compliant CMTS MUST form a VersionRequest message as follows:

Message Field	Value, Notes
requesterAddress	CMTS Exporter Interface IP in context see [IPDR/SP]
requesteBootTime	see [IPDR/SP]
msg	"IPDR"

#### 7.1.3.5.2.2 Requirements for IPDR Discovery message Version Response

DOCSIS 2.0 Compliant CMTS MUST respond to a UDP discovery message (VersionResponse) with default protocol as follows:

Message Field	Value, Notes
ProtocollInfo (default)	
transportType	1 (TCP)
protocolVersion	2
portNumber	4737 ( Destination TCP port ) Connection Initiator (e.g. Collector) binds an available port as TCP source port.

**Note:** Other protocols on ProtocollInfo additional structures are vendor dependent.

### 7.1.3.5.2.3 Requirements for IPDR Connect Message

CMTS MUST respond to form a IPDR CONNECT message (Connect) as follows:

Message Field	Value, Notes
InitiatorAddress	CMTS Exporter or Collector Interface IP
initiatorPort	Dynamically binding
capabilities	T: Template Negotiation (optional) by default 0 M: Multisession (optional) by default 0 (see 7.1.3.2.2.1 Streaming Flow Connection and Messaging) S: Structures (Not required) by default 0, CPEInfoList element MUST NOT be present, therefore S = 0 ( see 7.1.2.2) IPDR Record Structure, CM Subscriber Usage Elements, item 16 and section XXXX getSessionResponse
keepAliveInterval	see [IPDR/SP]

### 7.1.3.5.2.4 Requirements for IPDR Connect Response Message

DOCSIS 2.0 compliant CMTS MUST respond to a Collector initiated Connect message with an IPDR CONNECT RESPONSE message (ConnectResponse) as follows:

Message Field	Value, Notes
capabilities	T: Template Negotiation (optional) by default 0 M: Multisession (optional) by default 0 S: Structures (Not required) by default 0
keepAliveInterval	see [IPDR/SP]
vendorId	Vendor UI in ascii representation with Ethernet canonical representation ("-" separators)

### 7.1.3.5.2.5 Requirements for IPDR Flow Start and Stop Message

DOCSIS 2.0 compliant CMTS MUST expect a IPDR sessionId value for Flow Start and Stop messages corresponding to same value as configured or reported on GetSessionsResponse messages, otherwise an exception MUST be handle.

#### 7.1.3.5.2.6 Requirements for IPDR Session Start Message

DOCSIS 2.0 compliant CMTS MUST form an IPDR Session Start message as follows:

Message Field	Value, Notes
exporterBootTime	see [IPDR/SP]
firstRecordSequenceNumber	see [IPDR/SP]
droppedRecordCount	see [IPDR/SP]
primary	1 for Primary collector, 0 for Backup collectors
ackTimeInterval	see [IPDR/SP]
ackSequenceInterval	see [IPDR/SP]
documented	see [IPDR/SP]

#### 7.1.3.5.2.7 Requirements for IPDR Session Stop Message

DOCSIS 2.0 compliant CMTS MUST form an IPDR Session Stop message as specified in [IPDR/SP].

#### 7.1.3.5.2.8 Requirements for IPDR Template Message

DOCSIS 2.0 compliant CMTS MUST form an IPDR Template message as a response to a IPDR Flow Start message from the collector as follows:

Message Field	Value, Notes
configId	by default 0 Template negotiation is not required
flags	by default 0 (Non negotiable 0x00) for any type of collector connection (primary or backup)
templates	see 7.1.3.5.3 Schematic content of IPDR message TemplateData

**Note:** CPEInfoList is not in 7.1.3.5.3 although is part of the Service definition design, see section 7.1.2.2 for additional details.

#### 7.1.3.5.2.9 Requirements for IPDR Modify Template Response Message

DOCSIS 2.0 compliant CMTS is not required to support template negotiation, thus, if, in the context of a negotiable connection a Modify Template message is received by the CMTS while the CMTS indicated prior a non-negotiable template, the CMTS MUST respond with same templateBlock as in Template message per 7.1.3.5.2.8.

#### 7.1.3.5.2.10 Requirements for IPDR Start Negotiation Reject Message

DOCSIS 2.0 compliant CMTS is not required to support template negotiation, thus, if in the context of a session a Start Negotiation message is received by the Exporter, the CMTS MUST respond with a Start Negotiation Reject message and maintain the session. It is customary of the collector to stop the IPDR Flow and close the IPDR Connection.

**7.1.3.5.2.11 Requirements for IPDR Data Message**

DOCSIS 2.0 compliant CMTS MUST form IPDR Data messages and handles the Data Acknowledge messages from the collector as specified in [IPDR/SP].

**7.1.3.5.2.12 Requirements for IPDR Get Sessions Response Message**

DOCSIS 2.0 compliant CMTS MUST replies to Get Sessions messages with a Get Sessions Response message as follows:

Message Field	Value, Notes
requested	see [IPDR/SP]
SessionBlocks (default block aka SAMIS block)	
sessionId	by default 0 SAMIS session ID is 0 by default
sessionName	"SAMIS-basic" The name is a hint to indicate not inclusion of CPEInfoList
sessionDescription	"DOCSIS SAMIS baseline"
ackTimeInterval	see [IPDR/SP]
ackSequenceInterval	see [IPDR/SP]

More Sessions Blocks to represents other sessions configurations are up to Vendors.

**7.1.3.5.2.13 Requirements for IPDR Get Templates Response Message**

DOCSIS 2.0 compliant CMTS MUST replies to Get Templates messages with a Get Templates Response message as follows:

Message Field	Value, Notes
requested	see [IPDR/SP]
configId	by default 0 Template negotiation is not required
currentTemplates	see 7.1.3.5.3 Schematic content of IPDR message TemplateData assuming no negotiation.

**7.1.3.5.2.14**

DOCSIS 2.0 compliant CMTS MUST support Disconnect, Keep Alive message as specified in [IPDR/SP].

### 7.1.3.5.3 Schematic content of IPDR message TemplateData<sup>1</sup>

Below is the schematic representation of the XDR encoding of the default CMTS operation mode of CMTS Subscriber Usage Billing when exporting records using [IPDR/SP].

```

<IPDRStreamingHeader>
  <version> 2 </version>
  <messageId> 16 </messageId>
  <sessionId> 0 </sessionId>
  <messageFlags> 0 </messageFlags>
  <messageLength> message length in bytes </messageLength>
</IPDRStreamingHeader>
<TemplateData>
  <configId> 0 </configId>
  <flags> 0 </flags>
  <TemplateBlock>
    <templateId> 1 </templateId>
    <schemaName> http://www.ipdr.org/public/CableLabs(R)/DOCSIS(TM)/
      DOCSIS-3.5.1-A.0.xsd </schemaName>
    <typeName> DOCSIS:DOCSIS-Type </typeName>
    <fieldDescriptor>
      <typeId>string</typeId>
      <fieldId> 1 </fieldId>
      <fieldName> DOCSIS:CMTSHostName </fieldName>
      <isEnabled> 1 </isEnabled>
    </fieldDescriptor>
    <fieldDescriptor>
      <typeId> IPv4addr </typeId>
      <fieldId> 2 </fieldId>
      <fieldName> DOCSIS:CMTSipAddress </fieldName>
      <isEnabled> 1 </isEnabled>
    </fieldDescriptor>
    <fieldDescriptor>
      <typeId> unsignedInt </typeId>
      <fieldId> 3 </fieldId>
      <fieldName> DOCSIS:CMTSsysUpTime </fieldName>
      <isEnabled> 1 </isEnabled>
    </fieldDescriptor>
    <fieldDescriptor>
      <typeId> string </typeId>
      <fieldId> 4 </fieldId>
      <fieldName> DOCSIS:CMTScatvIfName </fieldName>
      <isEnabled> 1 </isEnabled>
    </fieldDescriptor>
    <fieldDescriptor>
      <typeId> unsignedInt </typeId>
      <fieldId> 6 </fieldId>
      <fieldName> DOCSIS:CMTScatvIfIndex </fieldName>
      <isEnabled> 1 </isEnabled>
    </fieldDescriptor>
  </TemplateBlock>
</TemplateData>

```

<sup>1</sup>. Replaced this section per ECN OSSiv2.0-N-05.0209-4 by GO on 3/16/05.

```
<typeId> string </typeId>
<fieldId> 6 </fieldId>
<fieldName> DOCSIS:CMTSupIfName </fieldName>
<isEnabled> 1 </isEnabled>
</fieldDescriptor>
<fieldDescriptor>
<fieldDescriptor>
<typeId> integer </typeId>
<fieldId> 7 </fieldId>
<fieldName> DOCSIS:CMTSupIfType </fieldName>
<isEnabled> 1 </isEnabled>
</fieldDescriptor>
<fieldDescriptor>
<typeId> string </typeId>
<fieldId> 8 </fieldId>
<fieldName> DOCSIS:CMTSdownIfName </fieldName>
<isEnabled> 1 </isEnabled>
</fieldDescriptor>
<fieldDescriptor>
<typeId> macAddress </typeId>
<fieldId> 9 </fieldId>
<fieldName> DOCSIS:CMmacAddress </fieldName>
<isEnabled> 1 </isEnabled>
</fieldDescriptor>
<fieldDescriptor>
<typeId> IPv4Addr </typeId>
<fieldId> 10 </fieldId>
<fieldName> DOCSIS:CMipAddress </fieldName>
<isEnabled> 1 </isEnabled>
</fieldDescriptor>
<fieldDescriptor>
<typeId> integer </typeId>
<fieldId> 11 </fieldId>
<fieldName> DOCSIS:CMdocsisMode </fieldName>
<isEnabled> 1 </isEnabled>
</fieldDescriptor>
<fieldDescriptor>
<typeId> integer </typeId>
<fieldId> 12 </fieldId>
<fieldName> DOCSIS:RecType </fieldName>
<isEnabled> 1 </isEnabled>
</fieldDescriptor>
<fieldDescriptor>
<typeId> dateTimeMsec </typeId>
<fieldId> 13 </fieldId>
<fieldName> DOCSIS: RecCreationTime </fieldName>
<isEnabled> 1 </isEnabled>
</fieldDescriptor>
<fieldDescriptor>
<typeId> unsignedInt </typeId>
<fieldId> 14 </fieldId>
<fieldName> DOCSIS: serviceIdentifier </fieldName>
<isEnabled> 1 </isEnabled>
</fieldDescriptor>
```

```
<fieldDescriptor>
  <typeId> string </typeId>
  <fieldId> 15 </fieldId>
  <fieldName> DOCSIS:serviceClassName </fieldName>
  <isEnabled> 1 </isEnabled>
</fieldDescriptor>
<fieldDescriptor>
  <typeId> integer </typeId>
  <fieldId> 16 </fieldId>
  <fieldName> DOCSIS:serviceDirection </fieldName>
  <isEnabled> 1 </isEnabled>
</fieldDescriptor>
<fieldDescriptor>
  <typeId> unsignedLong </typeId>
  <fieldId> 17 </fieldId>
  <fieldName> DOCSIS:serviceOctetsPassed </fieldName>
  <isEnabled> 1 </isEnabled>
</fieldDescriptor>
<fieldDescriptor>
  <typeId> unsignedLong </typeId>
  <fieldId> 18 </fieldId>
  <fieldName> DOCSIS:servicePktsPassed </fieldName>
  <isEnabled> 1 </isEnabled>
</fieldDescriptor>
<fieldDescriptor>
  <typeId> unsignedInt </typeId>
  <fieldId> 19 </fieldId>
  <fieldName> DOCSIS:serviceSlaDropPkts </fieldName>
  <isEnabled> 1 </isEnabled>
</fieldDescriptor>
<fieldDescriptor>
  <typeId> unsignedInt </typeId>
  <fieldId> 20 </fieldId>
  <fieldName> DOCSIS:serviceSlaDelayPkts </fieldName>
  <isEnabled> 1 </isEnabled>
</fieldDescriptor>
<fieldDescriptor>
  <typeId> unsignedInt </typeId>
  <fieldId> 21 </fieldId>
  <fieldName> DOCSIS:serviceTimeCreated </fieldName>
  <isEnabled> 1 </isEnabled>
</fieldDescriptor>
<fieldDescriptor>
  <typeId> unsignedInt </typeId>
  <fieldId> 22 </fieldId>
  <fieldName> DOCSIS:serviceTimeActive </fieldName>
  <isEnabled> 1 </isEnabled>
</fieldDescriptor>
</TemplateBlock>
</TemplateBlock>
```

#### 7.1.3.5.4 IPDRDoc mapping for DOCSIS IPDR Streaming

The IPDRDoc concept of [IPDR/BSR] is directly mapped in IPDR/File protocol [IPDR/FILE] protocol. For Streaming protocol [IPDR/SP], the IPDRDoc records are expected being constructed by the Collector. The IPDRDoc is identified by a docId that is used to tag all of the IPDR records contained by the document. This information may be communicated to other instances through the Collector's D-interface described in section 7.1.2.1. IPDRDoc in [IPDR/SP] is scoped to the IPDR/SP Session boundary as described in Section 7.1.3.5.1 and the IPDR/SP transport elements listed in the table below:

Element of IPDRDoc	IPDR/SP Mapping
docId	IPDR:SP:SessionStart:documentId (See section 7.1.2.2 item 1.f)
version type	3.5-A-0; In general this field contains the version content of the schemaName of the first TemplateBlock within a negotiated Template after FinalTemplateDataAck
creationTime	IPDR:SP:SessionStartExporterBootTime
IPDRRecorderInfo	reverse DNS lookup of Exporter IP
IPDRType	
ipdr:IPDRCreationTime	Not Supported (see 7.1.2.2)
ipdr:SeqNum	Not supported (see 7.1.2.2) IPDR reliable transport is handled via IPDR:SP:DataSequenceNum
IPDRDoc.End (optional)	
count	reflect number of streaming blocks or records ? After closing the Session (Session Stop): IPDR:SP:DataAcknowledge:SequenceNumber - IPDR:SP:SessionStart:FirstRecordSequenceNumber
endTime	Time since epoc time when SessionStop was received

## 7.2 Configuration Management

Configuration management is concerned with initializing, maintaining, adding and updating network components. In a DOCSIS environment, this includes a cable modem and/or CMTS. Unlike performance, fault, and account management, which emphasize network monitoring, configuration management is primarily concerned with network control. Network control, as defined by this interface specification, is concerned with modifying parameters in and causing actions to be taken by the cable modem and/or CMTS. Configuration parameters could include both identifiable physical resources (for example, Ethernet Interface) and logical objects (for example, IP Filter Table).

Modifying the configuration information of a CM and/or CMTS can be categorized as *non-operational* or *operational*.

Non-operational changes occur when a manager issues a modify command to a CM/CMTS, and the change doesn't affect the operating environment. For example, a manager may change contact information, such as the name and address of the person responsible for a CMTS.

Operational changes occur when a manager issues a modify command to a CM/CMTS, and the change affects the underlying resource or environment. For example, a manager may change the docsDevResetNow object from false to true, which in turn will cause the CM to reboot.

To adjust the necessary attribute values, the CM and CMTS **MUST** support MIB objects as specified in Section 6 of this document.

While the network is in operation, configuration management is responsible for monitoring the configuration and making changes in response to commands via SNMP or in response to other network management functions.

For example, a performance management function may detect that response time is degrading due to a high number of uncorrected frames, and may issue a configuration management change to modify the modulation type from 16Qam to QPSK. A fault management function may detect and isolate a fault and may issue a configuration management change to bypass the fault.

### 7.2.1 Version Control

The CM **MUST** support software revision and operational parameter configuration interrogation.

The CM **MUST** include at least the hardware version, Boot ROM image version, vendor name, software version, and model number in the sysDescr object (from [RFC 3418]). The CM **MUST** support docsDevSwCurrentVers MIB object and the object **MUST** contain the same software revision information as shown in the software information included in the sysDescr object.

The format of the specific information contained in the sysDescr **MUST** be as follows:

To report	Format of each field
Hardware Version	HW_REV: <Hardware version>
Vendor Name	VENDOR: <Vendor name>
Boot ROM	BOOTR: <Boot ROM Version>
Software Version	SW_REV: <Software version>
Model Number	MODEL: <Model number>

Each type-value pair **MUST** be separated with a colon and blank space. Each pair is separated by a “;” followed by a blank. For instance, a sysDescr of a CM of vendor X, hardware version 5.2, Boot ROM version 1.4, SW version 2.2, and model number X

**MUST** appear as following:

```
any text<<HW_REV: 5.2; VENDOR: X; BOOTR: 1.4; SW_REV 2.2; MODEL: X>>any text
```

The CM **MUST** report at least all of the information necessary in determining what SW the CM is capable of being upgraded to. If any fields are not applicable, the CM **MUST** report “NONE” as the value. For example; CM with no BOOTR, CM will report BOOTR: NONE.

The CM **MUST** implement the docsDevSwCurrentVers object ([RFC 2669]) to report the current software version.

The intent of specifying the format of sysObjectID and sysDescr is to define how to report information in a consistent manner so that sysObjectID and sysDescr field information can be programmatically parsed. This format specification does not intend to restrict the vendor’s hardware version numbering policy.

The CMTS **MUST** implement the sysDescr object (from [RFC 3418]). For the CMTS, the format and content of the information in sysDescr is vendor-dependent.

### 7.2.2 System Initialization and Configuration

There are several methods available to configure CM and CMTS including console port, SNMP set, configuration file, and configuration-file-based SNMP encoded object. The CM MUST support system initialization and configuration via configuration file, configuration-file-based SNMP encoded object and SNMP set. The CMTS MUST support system initialization and configuration via telnet connection, console port, and SNMP set. The CM and CMTS (only CMTS that support configuration by configuration file) MUST support any valid configuration file regardless of configuration file size.

### 7.2.3 Secure Software Upgrades

The CM secure software upgrade process is documented in detail in Appendix D of the DOCSIS BPI+ specification.

DOCSIS 2.0 CMs MUST use the secure software upgrade mechanism to perform software upgrade regardless of the version (1.0, 1.1, or 2.0) of the CMTS to which it is connected.

When a 2.0 CM is connected to a 2.0 CMTS, the CM MUST operate in either DOCSIS 2.0 mode, DOCSIS 1.1 mode, or DOCSIS 1.0 mode.

When a 2.0 CM is connected to a 1.1 CMTS, the CM MUST operate in either DOCSIS 1.1 mode or DOCSIS 1.0 mode.

When a 2.0 CM is connected to a 1.0 CMTS, the CM MUST operate in DOCSIS 1.0 mode.

This means that a DOCSIS 2.0 CM MUST use secure software upgrade mechanism to perform software upgrade regardless of what mode it operates in (1.0 mode, 1.1 mode or 2.0 mode). There are two available secure software download schemes: the manufacturer control scheme and the operator control scheme.

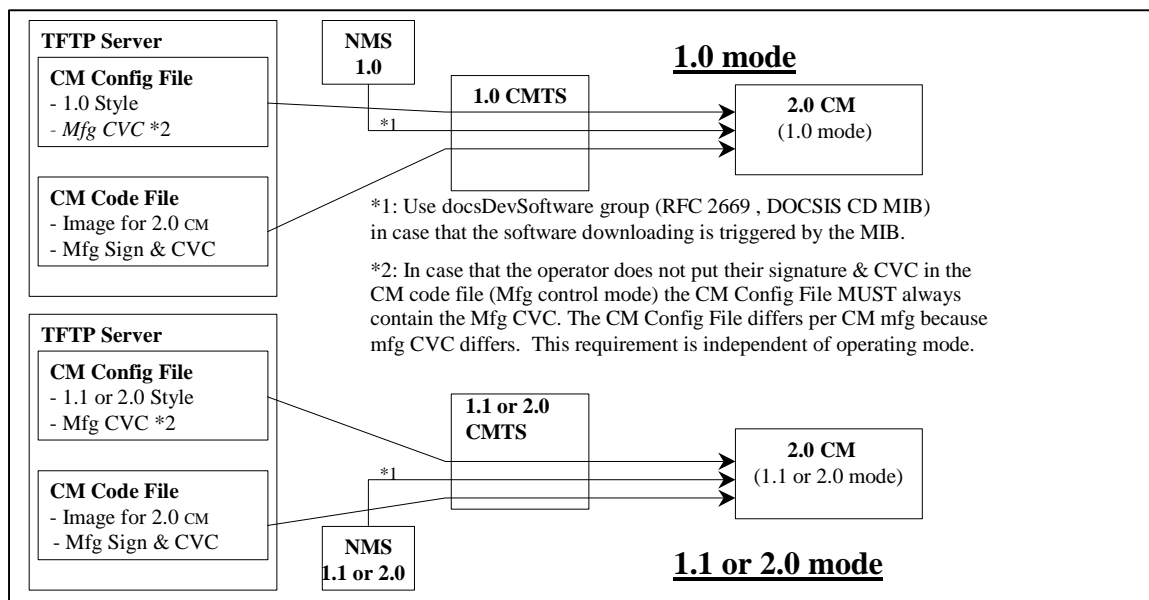
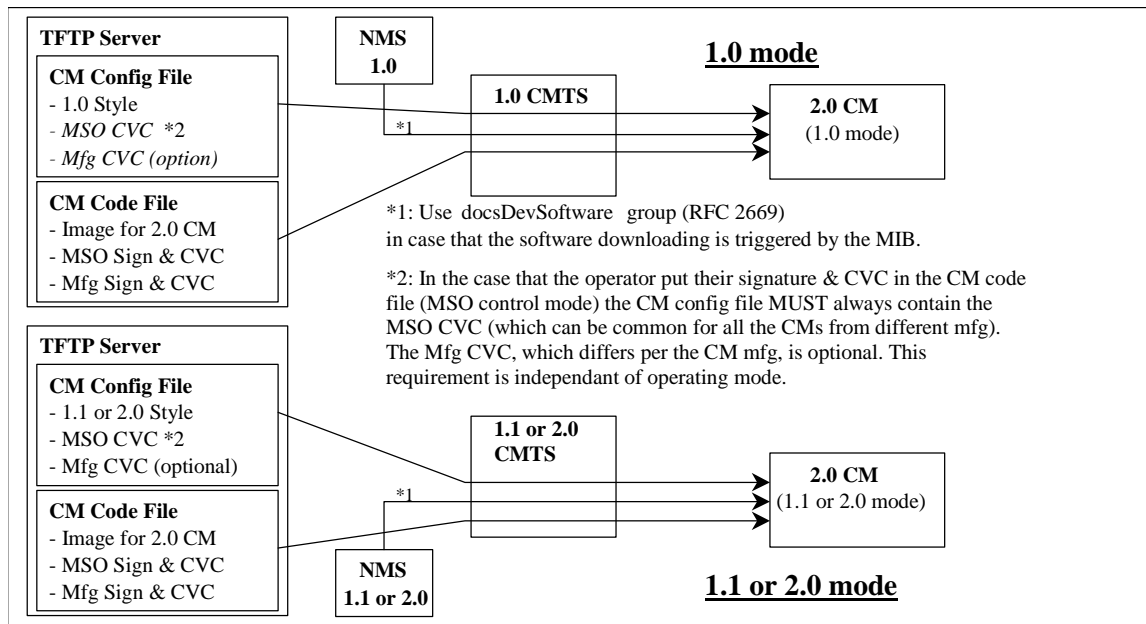


Figure 7-8 Manufacturer control scheme



**Figure 7-9 Operator control scheme**

Prior to secure software upgrade initialization, CVC information needs to be initialized at the CM for software upgrade. Depending on the scheme (described above) that the operator chooses to implement, appropriate CVC information MUST be included in the configuration file. It is recommended that CVC information always be present in the configuration file so that a device will always have the CVC information initialized and read if the operator decides to use a SNMP-initiated upgrade as a method to trigger a secure software upgrade operation. If the operator decides to use a configuration-file-initiated upgrade as a method to trigger secure software download, CVC information needs to be present in the configuration file at the time the modem is rebooted to get the configuration file that will trigger the upgrade only.

There are two methods to trigger secure software download: SNMP-initiated and configuration-file-initiated. Both methods MUST be supported by CMs and MAY be supported by CMTSes.

The following describes the SNMP-initiated mechanism. Prior to a SNMP-initiated upgrade, a CM MUST have valid X.509-compliant code verification certificate information. From a network management station:

- Set docsDevSwServer to the address of the TFTP server for software upgrades
- Set docsDevSwFilename to the file path name of the software upgrade image
- Set docsDevSwAdminStatus to Upgrade-from-mgt

If docsDevSwAdminStatus is set to ignoreProvisioningUpgrade(3), the CM MUST ignore any software download configuration file setting and not attempt a configuration file initiated upgrade.<sup>1</sup>

docsDevSwAdminStatus MUST persist across reset/reboots until over-written from an SNMP manager or via a TLV-11 setting in the CM configuration file.

<sup>1</sup> Replaced this paragraph and the following paragraphs to the end of the section per ECN OSSiv2.0-N-03.0108-2 by GO on 2/19/03.

The default state of docsDevSwAdminStatus MUST be allowProvisioningUpgrade{2} until it is over-written by ignoreProvisioningUpgrade{3} following a successful SNMP initiated software upgrade or otherwise altered by the management station.

docsDevSwOperStatus MUST persist across resets to report the outcome of the last software upgrade attempt.

After the CM has completed a configuration-file-initiated secure software upgrade, the CM MUST reboot and become operational with the correct software image as specified in [DOCSIS 5]. After the CM is registered, it MUST adhere to the following requirements:

- docsDevSwAdminStatus MUST be allowProvisioningUpgrade{2}
- docsDevSwFilename MAY be the filename of the software currently operating on the CM
- docsDevSwServer MAY be the address of the TFTP server containing the software that is currently operating on the CM
- docsDevSwOperStatus MUST be completeFromProvisioning{2}
- docsDevSwCurrentVer MUST be the current version of the software that is operating on the CM

After the CM has completed an SNMP-initiated secure software upgrade, the CM MUST reboot and become operational with the correct software image as specified in [DOCSIS 5]. After the CM is registered, it MUST adhere to the following requirements:

- docsDevSwAdminStatus MUST be ignoreProvisioningUpgrade{3}
- docsDevSwServer MAY be the address of the TFTP server containing the software that is currently operating on the CM
- docsDevSwOperStatus MUST be completeFromMgt{3}
- docsDevSwCurrentVer MUST be the current version of the software that is operating on the CM

The CM MUST properly use ignoreProvisioningUpgrade status to ignore software upgrade value that may be included in the CM configuration file and become operation with the correct software image and after the CM is registered, it MUST adhere to the following requirements:

- docsDevSwAdminStatus MUST be ignoreProvisioningUpgrade{3}
- docsDevSwFilename MAY be the filename of the software currently operating on the CM
- docsDevSwServer MAY be the address of the TFTP server containing the software that is currently operating on the CM
- docsDevSwOperStatus MUST be completeFromMgt{3}
- docsDevSwCurrentVer MUST be the current version of the software that is operating on the CM

Retries due to a power loss or reset are only required for an SNMP-initiated upgrade. If a power loss or reset occurs during a config file-initiated upgrade, the CM will follow the upgrade TLV directives in the configuration file upon reboot. It will not retry the previous upgrade. The config file upgrade TLVs essentially provides a retry mechanism that is not available for an SNMP-initiated upgrade.

If a CM suffers a loss of power or resets during an SNMP-initiated upgrade, the CM MUST resume the upgrade without requiring manual intervention and when the CM resumes the upgrade process:

- docsDevSwAdminStatus MUST be Upgrade-from-mgt{1}
- docsDevSwFilename MUST be the filename of the software image to be upgraded
- docsDevSwServer MUST be the address of the TFTP server containing the software upgrade image to be upgraded

- docsDevSwOperStatus MUST be in Progress{1}
- docsDevSwCurrentVers MUST be the current version of software that is operating on the CM

In case where the CM reaches the maximum number of TFTP download retries (max retries = 3) resulting from multiple losses of power or resets during an SNMP-initiated upgrade, the CM MUST behave as specified in [DOCSIS 5]; in addition, the CM's status MUST adhere to the following requirements after it is registered:

- docsDevSwAdminStatus MUST be allowProvisioningUpgrade{2}
- docsDevSwFilename MUST be the filename of the software that failed the upgrade process.
- docsDevSwServer MUST be the address of the TFTP server containing the software that failed the upgrade process docsDevSwOperStatus MUST be other{5}
- docsDevSwCurrentVer MUST be the current version of software that is operating on the CM

If a CM suffers a loss of power or resets during a configuration file-initiated upgrade, when the CM reboots the CM MUST ignore the fact that a previous upgrade was in progress and either not perform an upgrade if no upgrade TLVs are present in the config file, or if upgrade TLVs are present take the action described in the requirements in section 12.1 of [DOCSIS 5], at the time of the reboot.

In the case where the CM had a configuration file initiated upgrade in progress during a reset and if there are no upgrade TLVs in the config file upon reboot:

- docsDevSwAdminStatus MUST be allowProvisioningUpgrade{2}
- docsDevSwFilename MAY be the filename of the current software image.
- docsDevSwServer MAY be the address of the TFTP server containing the software that is currently operating in the CM.
- docsDevSwOperStatus MUST be other{5}
- docsDevSwCurrentVers MUST be the current version of software that is operating on the CM

In the case where the CM had a configuration file initiated upgrade in progress during a reset, if there are upgrade TLVs in the config file upon reboot:

- docsDevSwAdminStatus MUST be allowProvisioningUpgrade{2}.
- docsDevSwFilename MUST be the filename contained in TLV-9 of the config file.
- docsDevSwServer MUST be the address of the TFTP server containing the software to be loaded into the CM, (either the value of TLV-21 in the config file if present, or the address of the configuration file TFTP server if TLV-21 is not present per the requirements stated in section 12.1 of [DOCSIS 5].)
- docsDevSwOperStatus MUST be in Progress{1}
- docsDevSwCurrentVers MUST be the current version of software that is operating on the CM

If a CM exhausts the required number of TFTP retries by issuing a total of 16 consecutive TFTP requests, the CM MUST behave as specified in [DOCSIS 5] and then the CM MUST fall back to last known working image and proceed to an operational state and adhere to the following requirements:

- docDevSwAdminStautus MUST be allowProvisioningUpgrade{2}
- docDevSwFilename MUST be the filename of the software that failed the upgrade process
- docsDevSwServer MUST be the address of the TFTP server containing the software that failed the upgrade process
- docsDevSwOperStatus MUST be failed{4}
- docsDevSwCurrentVer MUST be the current version of software that is operating on the CM

In the case where CM successfully downloads (or detects during download) an image that is not intended for the CM device, the CM MUST behave as specified in [DOCSIS 5], section 12.1 "Downloading Cable Modem Operating Software" and adhere to the following requirements:

- docsDevSwAdminStatus MUST be allowProvisioningUpgrade{2}
- docsDevSwFilename MUST be the filename of the software that failed the upgrade
- docsDevSwServer MUST be the address of the TFTP server containing the software that failed the upgrade process
- docsDevSwOperStatus MUST be other{5}
- docsDevSwCurrentVer MUST be the current version of software that is operating on the CM

In the case where CM determines that the download image is damaged or corrupted, the CM MUST reject the newly downloaded image. The CM MAY re-attempt to download if the maximum number of TFTP download retries (max retries = 3) has not been reached. If the CM chooses not to retry, the CM MUST fall back to the last known working image and proceed to an operational state, generate appropriate event notification as specified in Annex D, and adhere to the following requirements:

- docsDevSwAdminStatus MUST be allowProvisioningUpgrade{2}
- docsDevSwFilename MUST be the filename of the software that failed the upgrade
- docsDevSwServer MUST be the address of the TFTP server containing the software that failed the upgrade process
- docsDevSwOperStatus MUST be other{5}
- docsDevSwCurrentVer MUST be the current version of software that is operating on the CM

In the case where CM determines that the image is damaged or corrupted, the CM MUST reject the newly downloaded image. The CM MAY re-attempt to download the new image if the maximum number of TFTP download retries (max retries = 3) has not been reached. On the third consecutive failed retry of the CM software download attempt, the CM MUST fall back to the last known working image and proceed to an operational state. In this case, the CM MUST send two notifications, one to notify that the max retry limit has been reached, and another to notify that the image is damaged. Immediately after the CM reaches the operational state the CM MUST adhere to the following requirements:

- docsDevSwAdminStatus MUST be allowProvisioningUpgrade{2}
- docsDevSwFilename MUST be the filename of the software that failed the upgrade
- docsDevSwServer MUST be the address of the TFTP server containing the software that failed the upgrade process
- docsDevSwOperStatus MUST be other{5}
- docsDevSwCurrentVer MUST be the current version of software that is operating on the CM

### 7.3 Protocol Filters

The CM MUST implement LLC, SNMP Access, and IP protocol filters. The LLC protocol filter entries can be used to limit CM forwarding to a restricted set of network-layer protocols (such as IP, IPX, NetBIOS, and AppleTalk). The IP protocol filter entries can be used to restrict upstream or downstream traffic based on source and destination IP addresses, transport-layer protocols (such as TCP, UDP, and ICMP), and source and destination TCP/UDP port numbers.

CM MUST apply filters (or more properly, classifiers) in an order appropriate to the following layering model; specifically, the inbound MAC (or LLC) layer filters are applied first, then the “special” filters, then the IP layer inbound filters, then the IP layer outbound filters, then any final LLC outbound filters. Note that LLC outbound filters are expected future requirements of the DOCS-CABLE-DEVICE-MIB.

### 7.3.1 LLC filters

Inbound LLC filters, from docsDevFilterLLCTable, MUST be applied to layer-2 frames entering the CM from either the CATV MAC interface{2} and/or any CM CPE interface.

The object docsDevFilterLLCUnmatchedAction MUST apply to all (CM) interfaces. The default value of the (CM) docsDevFilterLLCUnmatchedAction MUST be set to accept.

#### 7.3.1.1 docsDevFilterLLCUnmatchedAction

If the CM docsDevFilterLLCUnmatchedAction is set to discard(1), any L2 packet that does not match any LLC filters will be discarded, otherwise accepted. If CM docsDevFilterLLCUnmatchedAction is set to accept, any L2 packet that does not match any LLC filters will be accepted, otherwise discarded.

Another way to interpret this is the following:

```
action = UnMatchedAction
Iterate through the table
  if there is a match (packet.protocol = row.protocol)
  {
    reverse the action (accept becomes discard, discard becomes accept)
    apply action to the packet
    terminate the iteration
  }
```

LLC (CM) filters MUST apply to the inbound traffic direction only. Traffic generated from the CM MUST not be applied to LLC filters (i.e., ARP requests, SNMP responses).

The CM MUST support a minimum of ten LLC protocol filter entries.

### 7.3.2 Special filters

Special filters are IP spoofing filters and SNMP access filters. IP spoofing filters MUST only be applied to packets entering the CM from CMCI interface(s). SNMP access filters are in effect when the CM is not running in SNMPv3 agent mode and can be applied to both CMCI and CATV interfaces.

According to the interface number section of this document, the CMCI interface is a generic reference to any current or future form of CM CPE interface port technology.

### 7.3.3 IP spoofing filter

DOCSIS 2.0 CMs MAY implement an IP spoofing filter as specified in [RFC 2669].

If a CM supports the IP Spoofing filter functionality specified in [RFC 2669], the CM MUST adhere to the following requirements:

- Implement all MIB objects in the docsDevCpeGroup
- The default value of docsDevCpeIpMax = -1

### 7.3.3.1 Additional requirement on dot1dTpFdbTable [RFC 1493]

CM CPE MAC addresses learned via the CM configuration file MUST set the dot1dTpFdbStatus to “mgmt”. It is assumed that the number of “mgmt”-configured CM CPE MAC addresses is less than, or equal to, the TLV type-18 value (Maximum Number of CPE).

### 7.3.4 SNMP Access Filter

The SNMP access filters MUST be applied to SNMP packets entering from any interfaces and destined for the CM. SNMP access filter MUST be applied after IP spoofing filters for the packets entering the CM from the CMCI interface. Since SNMP access filter function is controlled by docsDevNmAccessTable, SNMP access filter is available and applies only when the CM is in SNMP v1/v2c NmAccess mode.

When the CM is running in SNMP Coexistence mode, SNMP access MUST be controlled and specified by the MIB Objects in [RFC 3411] through [RFC 3415], and [RFC 2576].

#### 7.3.4.1 docsDevNmAccessIp and docsDevNmAccessIpMask

A device that implements docsDevNmAccessTable applies the following rules in order to determine whether to permit SNMP access from a given source IP address (SrcIpAddr):

1. If (docsDevNmAccessIp == "255.255.255.255"), the CMTS/CM MUST permit the access from any SrcIpAddr.
2. If ((docsDevNmAccessIp AND docsDevNmAccessIpMask) == (SrcIpAddr AND docsDevNmAccessIpMask)), the CMTS/CM MUST permit the access from SrcIpAddr.
3. If neither #1 nor #2 is applied, the CMTS/CM MUST NOT permit the access from SrcIpAddr.

The CMTS/CM's default value of the docsDevNmAccessIpMask MUST be set to “0.0.0.0”.

The following table contains sample MIB values and the access granted.

**Table 7-2 Sample docsDevNmAccessIp values**

docsDevNmAccessIp	docsDevNmAccessIpMask	Access
255.255.255.255	Any IP Address Mask	Any NMS
Any IP Address	0.0.0.0	Any NMS
Any IP Address except 255.255.255.255	255.255.255.255	Single NMS
0.0.0.0	255.255.255.255	No NMS

### 7.3.5 IP filter<sup>1</sup>

The object docsDevFilterIPDefault MUST apply to all CM interfaces. DOCSIS 2.0-compliant CMs MUST support a minimum 16 IP filters.

The objects docsDevFilterIpSourcePortLow, docsDevFilterIpSourcePortHigh, docsDevFilterIpDestPortLow, and docsDevFilterIPDestPortHigh MUST be applied to tcp or udp packets, as opposed to applying only when docsDevFilterIpProtocol is set to udp or tcp as specified in [RFC 2669]. Thus, if a packet is tcp or udp, these

<sup>1</sup>. Added the last two paragraphs to this subsection per ECN OSSlv2.0-N-04.0199-3 by GO on 2/21/05.

MIB objects represent the inclusive lower and upper bounds of the transport-layer source and destination port ranges that are to be matched, otherwise they are ignored during matching.

To match tcp and udp packets only, it is recommended to create two filter entries in the docsDevFilterIpTable, one with docsDevFilterIpProtocol set to tcp(6) and one set to udp(17), each with the appropriate docsDevFilterIp\*Port\* values. Creating a single entry with docsDevFilterIpProtocol set to any(256) and appropriate docsDevFilterIp\*Port\* values may not lead to the desired behavior as such entry will also match any non-tcp and non-udp packets

## 7.4 Fault management

The goals of fault management are remote monitoring/detection, diagnosis, and correction of problems. Network Management operators rely on the ability to monitor and detect problems (such as ability to trace and identify faults, accept and act on error-detection events), as well as the ability to diagnose and correct problems (such as perform a sequences of diagnostic tests, correct faults, and display/maintain event logs).

This section defines what MUST be available to support remote monitoring/detection, and diagnosis and correction of problems.

### 7.4.1 SNMP Usage

In the DOCSIS environment, the goals of fault management are the remote detection, diagnosis, and correction of network problems. Therefore, the standalone CM MUST support SNMP management traffic across both the CPE and CATV MAC interfaces regardless of the CM's connectivity state. CCCMs MAY ignore the CPE management traffic, and MUST support SNMP on the CATV MAC interface once connectivity to CMTS is established. CM SNMP access may be restricted to support policy goals. CM installation personnel can use SNMP queries from a station on the CMCI side to perform on-site CM and diagnostics and fault classification (note that this may require temporary provisioning of the CM from a local DHCP server). Further, future CMCI side customer applications, using SNMP queries, can diagnose simple post-installation problems, avoiding visits from service personnel and minimizing help desk telephone queries.

Standard mib-2 support MUST be implemented to instrument interface status, packet corruption, protocol errors, etc. The transmission MIB for Ethernet-like objects [RFC 2665] MUST be implemented on each cable device (CMTS/CM) Ethernet and Fast Ethernet port. Each cable device (CMTS/CM) MUST implement the ifXTable [RFC 2863] to provide discrimination between broadcast and multicast traffic.

The cable device (CMTS/CM) MUST support managed objects for fault management of the PHY and MAC layers. The DOCS-IF-MIB includes variables to track PHY state such as codeword collisions and corruption, signal-to-noise ratios, transmit and receive power levels, propagation delays, micro-reflections, in channel response, and Sync loss. The DOCS-IF-MIB also includes variables to track MAC state, such as collisions and excessive retries for requests, immediate data transmits, and initial ranging requests.<sup>1</sup>

The cable device (CMTS) MUST implement the extended version of MIB object docsIfCmtsCmStatusValue of ([RFI-MIB-IPCDN-DRAFT]) as follows:<sup>2</sup>

```
docsIfCmtsCmStatusValue OBJECT-TYPE
    SYNTAX      INTEGER {
        other (1),
        ranging (2),
```

<sup>1</sup>. Revised paragraph per ECN OSS2-N-03069 by GO on 07/11/03.

<sup>2</sup>. Added this paragraph and the subsequent related text per ECN OSS2-N-03069 by GO on 07/11/03.

```

        rangingAborted(3),
        rangingComplete(4),
        ipComplete(5),
        registrationComplete(6),
        accessDenied(7),
        operational(8), --deprecated
        registeredBPIInitializing(9)
    }
    MAX-ACCESS read-only
STATUS      current
DESCRIPTION
    "Current Cable Modem connectivity state, as specified in the RF Interface
    Specification. Returned status information is the CM status as assumed by
    the CMTS, and indicates the following events:
other(1)
    Any state other than below.
ranging(2)
    The CMTS has received an Initial Ranging Request
    message from the CM, and the ranging process is not yet
    complete.
rangingAborted(3)
    The CMTS has sent a Ranging Abort message to the CM.
rangingComplete(4)
    The CMTS has sent a Ranging Complete message to the CM.
ipComplete(5)
    The CMTS has received a DHCP reply message and forwarded
    it to the CM.
registrationComplete(6)
    The CMTS has sent a Registration Response message to the CM.
accessDenied(7)
    The CMTS has sent a Registration Aborted message to the CM.
operational(8) -- deprecated value
    If Baseline Privacy is enabled for the CM, the CMTS has completed
    Baseline Privacy initialization. If Baseline
    Privacy is not enabled, equivalent to registrationComplete.
registeredBPIInitializing(9)
    Baseline Privacy is enabled, CMTS is in the process of
    completing the Baseline Privacy initialization. This state
    can last for a significant time in the case of failures
    during The process. After Baseline Privacy initialization
    Complete, the CMTS will report back the value
    registrationComplete(6).

    The CMTS only needs to report states it is able to detect."
REFERENCE
    "Data-Over-Cable Service Interface Specifications: Radio
    Frequency Interface Specification SP-RFIV2.0-IO5-040407,
    Section 11.2."
 ::= { docsIfCmtsCmStatusEntry 9 }

```

The cable device (CMTS) MUST implement the new MIB object docsIfCmtsCmStatusValueLastUpdate in ([DOCS-IF-MIB]) as follows:

```

docsIfCmtsCmStatusValueLastUpdate OBJECT-TYPE
    SYNTAX      TimeStamp
    MAX-ACCESS  read-only
    STATUS      current
    DESCRIPTION
        "The value of sysUpTime when docsIfCmtsCmStatusValue was last updated"
 ::= { docsIfCmtsCmStatusEntry 22 }

```

The cable device CMTS MUST implement the extended version of MIB object docsIfCmtsModPreambleType of DOCS-IF-MIB as follows:<sup>1</sup>

```
docsIfCmtsModPreambleType OBJECT-TYPE
    SYNTAX INTEGER {
        unknown(0),
        qpsk0(1),
        qpsk1(2)
    }
    MAX-ACCESS read-create
    STATUS current
    DESCRIPTION
        "Preamble type for DOCSIS 2.0 bursts. The value 'unknown(0)' represents a row entry
        consisting only of DOCSIS 1.x bursts."
    REFERENCE
        " Data-Over-Cable Service Interface Specifications: Radio
        Frequency Interface Specification SP-RFiv2.0-IO5-040407,
        Section 8.3.3 Upstream Channel Descriptor (UCD),
        Table 8-19 and section 6.2.9 Preamble Prepend."
    DEFVAL { qpsk0 }
    ::= { docsIfCmtsModulationEntry 16 }
```

The cable device CMTS **MUST** implement the extended version of MIB object docsIfCmtsChannelUtId of DOCS-IF-MIB as follows:<sup>1</sup>

```
docsIfCmtsChannelUtId OBJECT-TYPE
    SYNTAX Integer32 (0..255)
    MAX-ACCESS not-accessible
    STATUS current
    DESCRIPTION
        "The tertiary index into this table. Indicates the CMTS
        identifier for this physical channel."
    ::= { docsIfCmtsChannelUtilizationEntry 2 }
```

For fault management at all layers, the cable device (CMTS/CM) **MUST** generate replies to SNMP queries (subject to policy filters) for counters and status. The cable device (CMTS/CM) **MUST** send SNMP traps to one or more trap NMSs (subject to policy), and **MUST** send SYSLOG events to a SYSLOG server (if a SYSLOG server is defined).

When the cable device (CM) is operating in SNMP v1/v2c NmAccess mode it **MUST** support the capability of sending traps as specify by the following MIB object (proposed MIB extension to the docsDevNmAccess table):

```
DocsDevNmAccessTrapVersion OBJECT-TYPE
    SYNTAX INTEGER {
        DisableSNMPv2trap(1),
        EnableSNMPv2trap(2),
    }
    MAX-ACCESS read-create
    STATUS current
    DESCRIPTION
        "Specifies the TRAP version that is sent to this NMS. Setting this
        object to DisableSNMPv2trap (1) causes the trap in SNMPv1 format to be
        sent to particular NMS. Setting this object to EnableSNMPv2trap (2)
        causes the trap in SNMPv2 format be sent to particular NMS"
    DEFVAL { Disable SNMPv2trap }
    ::= { docsDevNmAccessEntry 8 }
```

Any cable device (CMTS/CM) **SHOULD** implement the ifTestTable [RFC 2863] for any diagnostic test procedures that can be remotely initiated.

<sup>1</sup>. Added this sentence and subsequent related information per ECN OSS2-N-03087 by GO on 11/17/03.

<sup>1</sup>. Added this sentence and subsequent related information per ECN OSS2-N-03091 by GO on 11/17/03.

## 7.4.2 Event Notification

A cable device (CMTS/CM) **MUST** generate asynchronous events that indicate malfunction situations and notify about important non-fault events. Events could be stored in CMTS/CM device internal event LOG file, in non-volatile memory, get reported to other SNMP entities (as TRAP or INFORM SNMP messages), or be sent as a SYSLOG event message to a pre-defined SYSLOG server. Events **MAY** also be sent to the cable device (CMTS/CM) console; as a duplicate (identical) message to the optional console destination.

Event notification implemented by a cable device (CMTS/CM) **MUST** be fully configurable, by priority class; including the ability to disable SNMP Trap, SYSLOG transmission, and local logging. CMTS/CM **MUST** implement docsDevEvControlTable to control reporting of event classes. The object docsDevEvReporting **MUST** be implemented as RW for CMTS/CM.

A cable device (CMTS/CM) **MUST** support the following event notification mechanisms (regardless of the cable device's SNMP mode):

- local event logging
- SNMP TRAP/INFORM (trap-versions/targets/limiting/throttling)
- SYSLOG (targets/limiting/throttling)

Refer to the following sections for event notification implementation details.

When a CM is in SNMP v1/v2c NmAccess mode, the CM **MUST** support event notification functions including local event logging, SYSLOG (targets/limiting/throttling) and SNMP TRAP (trap-versions/targets/limiting/throttling) as specified in [RFC 2669] and the current specification. When CM is in SNMP coexistence mode, CM **MUST** support event notification functions including local event logging, SYSLOG (targets/limiting/throttling) and SNMP TRAP (limiting/throttling) as specified in [RFC 2669] and the current specification, and SNMP notification functions as specified in [RFC 3413].

If the CMTS supports, and is in SNMP v1/v2c NmAccess mode, the CMTS **MUST** support event notification functions including local event logging, SYSLOG (targets/limiting/throttling) and SNMP TRAP (limiting/throttling) as specified in [RFC 2669] and the current specification; however, SNMP TRAP (trap-versions/targets) **MAY** be implemented as specified in [RFC 2669] and OSSI 1.1, or a vendor-proprietary MIB. When the CMTS is in SNMP Coexistence mode, the CMTS **MUST** support event notification functions including local event logging, SYSLOG (targets/limiting/throttling) and SNMP TRAP (limiting/throttling) as specified in [RFC 2669] and the current specification, and SNMP notification functions as specified in [RFC 3413].

### 7.4.2.1 Local Event Logging

A CM **MUST** maintain local log events in both local-volatile storage and local non volatile storage. A CMTS **MUST** maintain local-log events in local-volatile storage or local non volatile storage or both. CMTS/CM events designated for local volatile storage **MAY** also be retained in local non volatile storage. CMTS/CM events designated for local non volatile storage **MAY** also be retained in local volatile storage. Data from local volatile log and local on volatile log is reported through docsDevEventTable. A DOCSIS 2.0 compliant cable device (CM/CMTS) **MUST** support the docsDevEvControlTable with additional requirements as described in this specification.<sup>1</sup>

The cable device event log **MUST** be organized as a cyclic buffer with a minimum of ten entries, and **MAY** persist across reboots. The event log table **MUST** be accessible through the DocsDevEventTable [RFC 2669] by the cable device (CM or CMTS).

---

<sup>1</sup> Revised this paragraph per ECN OSS2-N-03034, by GO on 04/21/03.

Aside from the procedures defined in this document, event recording must conform to the requirements of [RFC 2669]. Event descriptions must appear in English and must not be longer than 255 characters, which is the maximum defined for SnmpAdminString.

Events are identical if their EventIds are identical. For identical events occurring consecutively, the CM MAY choose to store only a single event. In such a case, the event description recorded MUST reflect the most recent event.

The EventId digit is a 32-bit unsigned integer. EventIds ranging from 0 to  $(2^{31} - 1)$  are reserved by DOCSIS. The EventId MUST be converted from the error codes defined in Annex D.

The EventIds ranging from  $2^{31}$  to  $(2^{32} - 1)$  MUST be used as vendor-specific EventIds using the following format:

- Bit 31 is set to indicate vendor-specific event
- Bits 30-16 contain the lower 15 bits of the vendor's SNMP enterprise number
- Bits 15-0 are used by the vendor to number events

Section 7.4.2.2.2 describes rules to generate unique EventIds from the error code.

The [RFC 2669] docsDevEvIndex object provides relative ordering of events in the log. The creation of local-volatile and local non volatile logs necessitates a method for synchronizing docsDevEvIndex values between the two local logs after reboot. The following procedure MUST be used after reboot:

- The values of docsDevEvIndex maintained in the local non-volatile log MUST be renumbered beginning with 1.
- The local-volatile log MUST then be initialized with the contents of the local non-volatile log.
- The first event recorded in the new active session's local volatile log MUST use as its docsDevEvIndex the value of (last restored non-volatile docsDevEvIndex + 1).

A reset of the log initiated through an SNMP SET of the [RFC 2669] docsDevEvControl object MUST clear both the local-volatile and local non volatile logs.

### 7.4.2.2 Format of Events

Annex D lists all DOCSIS events.

The following sections explain in detail how to report these events via any of the three mechanisms (local event logging, SNMP trap and syslog).

#### 7.4.2.2.1 SNMP TRAP/INFORM

A cable device (CMTS or CM) MUST send the following generic SNMP traps, as defined in standard MIB [RFC 3418] and [RFC 2863]:

- coldStart (warmStart is optional) [RFC 3418]
- linkUp [RFC 2863]
- linkDown [RFC 2863]
- SNMP authentication-Failure [RFC 3418]

A cable device (CMTS or CM) MUST implement SNMP traps defined in the DOCS-CABLE-DEVICE-TRAP-MIB, which is complementary to existing standard DOCSIS MIB-s (DOCS-CABLE-DEVICE-MIB, DOCS-BPI2-MIB, and DOCS-IF-MIB) and defined in Annex H:

- A CM or CMTS in SNMP v1/v2c NmAccess mode MUST support SNMPv1 and SNMPv2c Traps.
- A CM or CMTS in SNMP Coexistence mode MUST support SNMPv1, SNMPv2c, and SNMPv3 Traps.
- Cable devices (CMTS or CM) MUST support INFORM.

INFORM is a variation of trap and requires the receiving host to acknowledge the arrival of an InformRequest-PDU with an InformResponse-PDU. An InformRequest-PDU is exactly the same as a trap-PDU except that the value in the PDU-type field is 6 for InformRequest-PDU instead of 7 for SNMPv2-trap-PDU. SNMPv1 does not support INFORM.

When an SNMP trap defined in the DOCS-CABLE-DEVICE-TRAP-MIB is enabled in a CM, it MUST send notifications for any event in its category whose priority is either “error” or “notice”. See Table 7-3. It MAY notify (optionally) events with other priorities when it is possible.

When the SNMP trap defined in the DOCS-CABLE-DEVICE-TRAP-MIB is enabled in a CMTS, it MUST send notifications for an event whose priority is “critical” or “error” or “warning” or “notice”. See Table 7-4. It MAY send (optionally) events with other priorities.

Vendor-specific events reportable via SNMP TRAP MUST be described in the vendor documents. Vendors can also define vendor-specific SNMP traps and MUST do so in the private MIBs.

When defining a vendor-specific SNMP trap, the OBJECTS statement of the private trap definition SHOULD contain at least the objects explained below. For CM traps, docsDevEvLevel, docsDevEvId, docsDevText, docsIfDocsisCapability, ifPhysAddress, and docsIfCmCmtsAddress SHOULD be included. For CMTS traps, docsDevEvLevel, docsDevEvId, docsDevEvText, docsIfCmtsCmStatusDocsisMode, docsIfCmtsCmStatusMacAddress, docsIfDocsisOperMode, and ifPhysAddress SHOULD be included. For a description of the usage of these objects, please refer to the DOCS-CABLE-DEVICE-TRAP-MIB. More objects may be contained in the OBJECTS body as desired.

Since the objects contained in these SNMP traps are the same objects in the SNMP local event table, CM MUST turn on local event logging on a particular priority whenever the SNMP traps are configured on that event priority.

#### 7.4.2.2.2 *SYSLOG message format*

For DOCSIS events, the CM’s Syslog message MUST be sent in the following format; for non-DOCSIS events, it is optional:

```
<level>CABLEMODEM[vendor]: <eventId> text vendor-specific-text
```

Where *level* is an ASCII representation of the event priority, enclosed in angle brackets, which is constructed as an OR of the default Facility (128) and event priority (0-7). The resulting level has the range between 128 and 135.

The CMTS’s Syslog message MUST be sent in the following format:

For DOCSIS events, the CMTS’s Syslog message MUST be sent in the following format; for non-DOCSIS events, it is optional:

```
<level>TIMESTAMP HOSTNAME CMTS[vendor]: <eventId> text vendor-specific-text
```

Where:

- *level* is an ASCII representation of the event priority, enclosed in angle brackets, which is constructed as an OR of the default Facility (128) and event priority (0-7). The resulting level ranges between 128 and 135.
- *TIMESTAMP* and *HOSTNAME* MAY be sent after <level> by the CMTS. If the *TIMESTAMP* and *HOSTNAME* fields are sent, they MUST be in the same format as in Section 4.1.2 of [RFC 3410]. *TIMESTAMP* and *HOSTNAME* format and MUST be sent together. The one space after *TIMESTAMP* is part of the *TIMESTAMP* field. The one space after *HOSTNAME* is part of the *HOSTNAME* field.<sup>1</sup>
- *vendor* is the vendor name for the vendor-specific SYSLOG messages or DOCSIS for the standard DOCSIS messages.
- *eventId* is an ASCII representation of the INTEGER number in decimal format, enclosed in angle brackets, which uniquely identifies the type of event. This number MUST be the same number that is stored in the docsDevEvId object in docsDevEventTable, and is also associated with SNMP TRAP in the “SNMP TRAP/Inform” section.

For the standard DOCSIS events this number is converted from the error code using the following rules:

- The number is an eight-digit decimal number.
- The first two digits (left-most) are the ASCII code for the letter in the Error code.
- The next four digits are filled by 2 or 3 digits between the letter and the dot in the Error code with zero filling in the gap in the left side.
- The last two digits are filled by the number after the dot in the Error code with zero filling in the gap in the left side.

For example, event D04.2 is converted into 68000402, and Event I114.1 is converted into 73011401.

Please note that this notion only uses a small portion of available number space reserved for DOCSIS (0 to  $2^{31}-1$ ). The first letter of an error code is always in upper-case.

- *text*: for the standard DOCSIS messages, this string MUST contain the textual description as defined in Annex D.
- *vendor-specific-text* MAY be provided by vendors for vendor-specific information.

There are products in the marketplace that expect existing syslog messages in their current format for fault management, which the DOCSIS syslog message format would break. So, for CM and CMTS, it is optional for the syslog message format of the non-DOCSIS events to follow the above formats.

For example, the syslog event for the event D04.2, “Time of the day received in invalid format”, is as follows:

```
<132>CABLEMODEM[DOCSIS]: <44000402> Time of Day Response but invalid data/format.
```

The number 44000402 in the example is the number assigned by DOCSIS to this particular event.

### 7.4.2.3 Standard DOCSIS events for CMs

The DOCS-CABLE-DEVICE-MIB [RFC 2669] defines 8 priority levels and a corresponding reporting mechanism for each level.

<sup>1</sup>. Revised this bullet per ECN OSS1v2.0-N-03.0117-2 by GO on 2/19/04.

**Emergency event (priority 1)** Reserved for vendor-specific ‘fatal’ hardware or software errors that prevents normal system operation and causes reporting system to reboot.

Every vendor may define their own set of emergency events. Examples of such events might be ‘no memory buffers available’, ‘memory test failure’, and so on. (Such basic cross-vendor type events should be included in the DOCSIS 2.0 “Events for Notification” Appendix F so that vendors do not define many overlapping EventIds in vendor-private scope.)

**Alert event (priority 2)** A serious failure, which causes reporting system to reboot but it is not caused by h/w or s/w malfunctioning. After recovering from the critical event, the system **MUST** send a cold/warm start notification. The alert event could not be reported as a Trap or SYSLOG message and **MUST** be stored in the internal log file. The code of this event **MUST** be saved in non-volatile memory and reported later through the docsIfCmStatusCode SNMP variable of DOCS-IF-MIB.

**Critical event (priority 3)** A serious failure that requires attention and prevents the device from transmitting data but could be recovered without rebooting the system. After recovering from the error event Cable Modem Device **MUST** send the Link Up notification. Critical events could not be reported as a Trap or SYSLOG message and **MUST** be stored in the internal log file. The code of this event **MUST** be reported later through docsIfCmStatusCode SNMP variable of DOCS-IF-MIB. Examples of such events might be configuration file problems detected by the modem or the inability to get an IP address from the DHCP server.

**Error event (priority 4)** A failure occurred that could interrupt the normal data flow but will not cause the modem to re-register. Error events could be reported in real time by using the trap or SYSLOG mechanism.

**Warning event (priority 5)** A failure occurred that could interrupt the normal data flow but will not cause the modem to re-register. ‘Warning’ level is assigned to events both modem and CMTS have information about. To prevent sending the same event both from the CM and the CMTS, the trap and Syslog reporting mechanism is disabled by default for this level.

**Notice event (priority 6)** The event is important, but is not a failure and could be reported in real time by using the trap or SYSLOG mechanism. For a CM, an example of a Notice event is ‘SW UPGRADE SUCCESS’.<sup>1</sup>

**Informational event (priority 7)** The event is of marginal importance, and is not failure, but could be helpful for tracing the normal modem operation. Local-Log messaging is allowed for vendor-specific informational events and subject to the constraints outlined in Section 5.2 of this document.<sup>2</sup>

**Debug event (priority 8)** Reserved for vendor-specific non-critical events.

---

<sup>1</sup> Revised last sentence per ECN OSS2-N-02193 by GO on 02/11/03.

<sup>2</sup> Revised this event statement per ECN OSS2-N-03046.

The reporting mechanism for each priority could be changed from the default reporting mechanism Table 7-3 by using docsDevEvReporting object of DOCS-CABLE-DEVICE-MIB.<sup>1 2</sup>

**Table 7-3 Default event priorities for the Cable Modem device**

Event Priority	Local-Log Non-volatile (bit-0)	SNMP Trap (bit-1)	SYSLOG (bit-2)	Local-Log Volatile (bit-3)
1 Emergency	Yes	No	No	No or Yes*
2 Alert	Yes	No	No	No or Yes*
3 Critical	Yes	No	No	No or Yes*
4 Error	No or Yes**	Yes	Yes	Yes
5 Warning	No or Yes**	No	No	Yes
6 Notice	No or Yes**	Yes	Yes	Yes
7 Informational	No or Yes**	No	No	No
8 Debug	No	No	No	No

- \* Note: CMTS/CM events designated for local non volatile storage MAY also be retained in local volatile storage
- \*\*Note: CMTS/CM events designated for local volatile storage MAY also be retained in local non volatile storage

Notifications for standard DOCSIS events generated by the CM MUST be in the format specified in Annex D.

#### 7.4.2.4 Standard DOCSIS events for CMTSes

CMTSes uses the same levels of the event priorities as a CM; however, the severity definition of the events is different. Events with the severity level of Warning and less, specify problems that could affect individual user (for example, individual CM registration problem).

Severity level of 'Error' indicates problems with a group of CMs (for example CMs that share same upstream channel).

Severity level of 'Critical' indicates problem that affects whole cable system operation, but is not a faulty condition of the CMTS device. In all these cases the CMTS MUST be able to send SYSLOG event and (or) SNMP TRAP to the NMS.

Severity level of 'Emergency' is vendor-specific and indicates problems with the CMTS hardware or software, which prevents CMTS operation.

**Table 7-4 Default Event priorities for the CMTS supporting only local-log non-volatile**

Event Priority	Local-Log Non-volatile (bit-0)	SNMP Trap (bit-1)	SYSLOG (bit-2)	Local-Log Volatile (bit-3)
1 Emergency	Yes	No	No	Not Used
2 Alert	Yes	No	No	Not Used
3 Critical	Yes	Yes	Yes	Not Used
4 Error	Yes	Yes	Yes	Not Used

1. Replaced text and tables from this paragraph, through Section 7.4.3 per ECN OSS2-N-02193 by GO on 02/11/03.
2. Revised Table 7-2 and added two table footnotes per ECN OSS2-N-03034 and OSS2-N-03046 by GO on 04/21/03 and 05/01/03.

**Table 7-4 Default Event priorities for the CMTS supporting only local-log non-volatile**

Event Priority	Local-Log Non-volatile (bit-0)	SNMP Trap (bit-1)	SYSLOG (bit-2)	Local-Log Volatile (bit-3)
5 Warning	Yes	Yes	Yes	Not Used
6 Notice	Yes	Yes	Yes	Not Used
7 Informational	No	No	No	Not Used
8 Debug	No	No	No	Not Used

A CMTS supporting only one local-log storage mechanism SHOULD accept any SNMP-Set operation on the optional docsDevEvReporting bit-value and always report value zero for the optional bit on SNMP-Get operations.

**Table 7-5 Default Event priorities for the CMTS supporting only local-log volatile**

Event Priority	Local-Log Non-volatile (bit-0)	SNMP Trap (bit-1)	SYSLOG (bit-2)	Local-Log Volatile (bit-3)
1 Emergency	Not Used	No	No	Yes
2 Alert	Not Used	No	No	Yes
3 Critical	Not Used	Yes	Yes	Yes
4 Error	Not Used	Yes	Yes	Yes
5 Warning	Not Used	Yes	Yes	Yes
6 Notice	Not Used	Yes	Yes	Yes
7 Informational	Not Used	No	No	No
8 Debug	Not Used	No	No	No

A CMTS supporting only one local-log storage mechanism SHOULD accept any SNMP-Set operation on the optional docsDevEvReporting bit-value and always report value zero for the optional bit on SNMP-Get operations.<sup>1</sup>

**Table 7-6 Default Event priorities for the CMTS supporting both local-log non-volatile and local-log volatile**

Event Priority	Local-Log Non-volatile (bit-0)	SNMP Trap (bit-1)	SYSLOG (bit-2)	Local-Log Volatile (bit-3)
1 Emergency	Yes	No	No	No or Yes*
2 Alert	Yes	No	No	No or Yes*
3 Critical	Yes	Yes	Yes	No or Yes*
4 Error	No or Yes**	Yes	Yes	Yes
5 Warning	No or Yes**	Yes	Yes	Yes
6 Notice	No or Yes**	Yes	Yes	Yes
7 Informational	No	No	No	No
8 Debug	No	No	No	No

- \*Note: CMTS/CM events designated for local non volatile storage MAY also be retained in local volatile storage.
- \*\*Note: CMTS/CM events designated for local volatile storage MAY also be retained in local non volatile storage.

Notifications for standard DOCSIS events generated by the CMTS MUST be in the format specified in Annex D.

<sup>1</sup> Revised Table 7-5 and added two table footnotes per ECN OSS2-N-03034 by GO on 04/21/03.

### 7.4.2.5 Event Priorities for DOCSIS and Vendor Specific Events<sup>1</sup>

DOCSIS 2.0 compliant cable device (CMTS/CM) MUST strictly assign DOCSIS and Vendor specific events accordingly to Table 7-7.<sup>2</sup>

**Table 7-7 Event Priorities Assignment For CMs and CMTSes**

Event Priority	CM Event Assignment	CMTS Event Assignment
1 Emergency	Vendor Specific	Vendor Specific
2 Alert	DOCSIS	Vendor Specific
3 Critical	DOCSIS and Vendor Specific (optional*)	DOCSIS and Vendor Specific (optional*)
4 Error	DOCSIS and Vendor Specific (optional*)	DOCSIS and Vendor Specific (optional*)
5 Warning	DOCSIS and Vendor Specific (optional*)	DOCSIS and Vendor Specific (optional*)
6 Notice	DOCSIS and Vendor Specific (optional*)	DOCSIS and Vendor Specific (optional*)
7 Informational	DOCSIS and Vendor Specific (optional*)	DOCSIS and Vendor Specific (optional*)
8 Debug	Vendor Specific	Vendor Specific

1. \*Note: Vendor-specific optional event definitions are recommended only where the CM/CMTS allows for sufficient storage of such events.

### 7.4.3 Throttling, Limiting and Priority for Event, Trap and Syslog

#### 7.4.3.1 Trap and Syslog Throttling, Trap and Syslog Limiting

DOCSIS 2.0-compliant cable devices (CMTS/CM) MUST support SNMP TRAP/INFORM and SYSLOG throttling and limiting as described in DOCS-CABLE-DEVICE-MIB [RFC 2669], regardless of SNMP mode.

#### 7.4.3.2 Maximum Priorities for Event Reporting

Table 7-3 and Table 7-4, Table 7-5, and Table 7-6 in Section 7.4.2 define the default required event reporting capacity for events with different priorities for CM and CMTS. This capacity can be considered the minimum requirement for vendors to implement. Vendors may choose to report an event with more mechanisms than required in these tables. According to the priority definitions, there is a maximum level that an event can be reported. Table 7-8 shows that maximum level for CM events and Table 7-9 displays that for CMTS events.

Vendor-specific priorities can be handled differently by different vendors in their own ways.

**Table 7-8 Maximum Level of Support for CM Events**

Event Priority	Local-Log Non-volatile (bit-0)	SNMP Trap (bit-1)	SYSLOG (bit-2)	Local-Log Volatile (bit-3)
1 Emergency				
2 Alert	Yes			Yes
3 Critical	Yes			Yes
4 Error	Yes	Yes	Yes	Yes
5 Warning	Yes	Yes	Yes	Yes

<sup>1</sup>. Added this section per ECN OSS2-N-02193 by GO on 02/11/03.

<sup>2</sup>. Revised Table 7-6 per ECN OSS2-N-03046 by GO on 05/01/03.

**Table 7-8 Maximum Level of Support for CM Events**

Event Priority	Local-Log Non-volatile (bit-0)	SNMP Trap (bit-1)	SYSLOG (bit-2)	Local-Log Volatile (bit-3)
6 Notice	Yes	Yes	Yes	Yes
7 Informational	Yes	Yes	Yes	Yes
8 Debug	Yes	Yes	Yes	Yes

**Table 7-9 Maximum Level of Support for CMTS Events**

Event Priority	Local-Log Non-volatile (bit-0)	SNMP Trap (bit-1)	SYSLOG (bit-2)	Local-Log Volatile (bit-3)
1 Emergency				
2 Alert				
3 Critical	Yes	Yes	Yes	Yes
4 Error	Yes	Yes	Yes	Yes
5 Warning	Yes	Yes	Yes	Yes
6 Notice	Yes	Yes	Yes	Yes
7 Informational	Yes	Yes	Yes	Yes
8 Debug				

#### 7.4.3.3 BIT Values for docsDevEvReporting [RFC 2669]

Permissible BIT values for [RFC 2669] docsDevEvReporting objects include:

- 1: local-nonvolatile(0)
- 2: traps(1)
- 3: syslog(2)
- 4: local-volatile(3)

An event reported by SNMP-Trap or SYSLOG MUST be accompanied by a Local-Log. The following BITS type values for [RFC 2669] object docsDevEvReporting MUST NOT be accepted:

- 0x20 = syslog only
- 0x40 = trap only
- 0x60 = (trap+syslog) only

Note that the lower nibble MUST be zero in all cases, resulting in thirteen acceptable values.

docsDevEvReporting SNMP SET requests for unacceptable values MUST result in a 'Wrong Value' error for SNMPv2c/v3 PDUs or a 'Bad Value' error for SNMPv1 PDUs.

When both local-log non-volatile and local-log volatile bits are set for a specific docsDevEvReporting event priority, the non-volatile storage MUST be maintained and the volatile storage MAY be maintained, since active functionality is identical. When both local-log non-volatile and local-log volatile bits are set for a specific docsDevEvReporting event priority, events MUST NOT be reported in duplicate through the docsDevEventTable.

#### 7.4.4 Non-SNMP Fault Management Protocols

The OSS can use a variety of tools and techniques to examine faults at multiple layers. For the IP layer, useful non-SNMP based tools include ping (ICMP Echo and Echo Reply), trace route (UDP and various ICMP Destination Unreachable flavors). Pings to a CM from its CMCI side **MUST** be supported to enable local connectivity testing from a customer's PC to the modem. The CM and CMTS **MUST** support IP end-station generation of ICMP error messages and processing of all ICMP messages.

### 7.5 Performance management

At the CATV MAC and PHY layers, performance management focuses on the monitoring of the effectiveness of cable plant segmentation and rates of upstream traffic and collisions. Instrumentation is provided in the form of the standard interface statistics [RFC 2863], as well as the docsifCmtsServiceTable and docsifCmServiceTable entries. It is not anticipated that the CMTS upstream bandwidth allocation function will require active network management intervention and tuning.

At the LLC layer, the performance management focus is on bridge traffic management. The CM and CMTS (if the CMTS implements transparent bridging) **MUST** implement the Bridge MIB [RFC 1493], including the dot1dBase and dot1dTp groups. The CM and CMTS **MUST** implement a managed object that controls whether the 802.1d spanning tree protocol (STP) is run and topology update messages are generated; STP is unnecessary in hierarchical, loop-free topologies. If the STP is enabled for the CM/CMTS, then the CM/CMTS **MUST** implement the dot1dStp group. These MIB groups' objects allow the NMS to detect when bridge forwarding tables are full, and enable the NMS to modify aging timers.

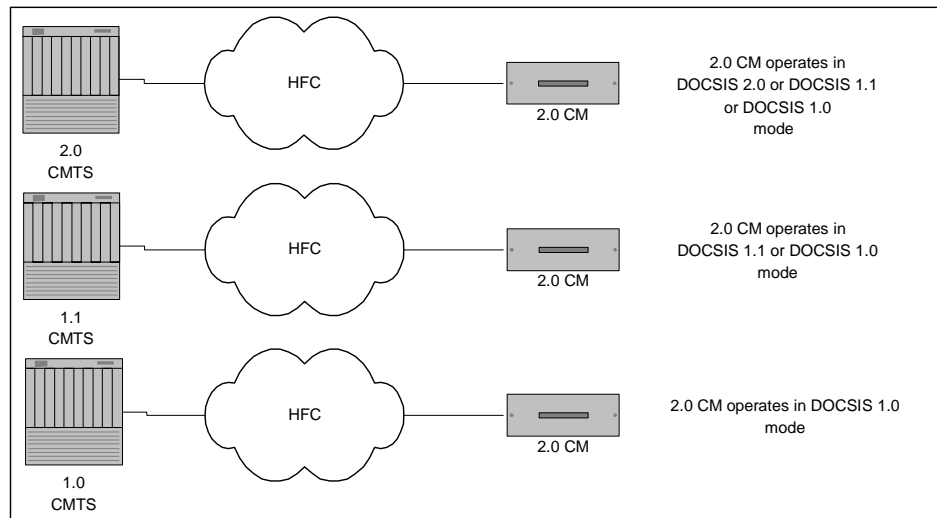
A final performance concern is the ability to diagnose unidirectional loss. Both the CM and CMTS **MUST** implement the mib-2 Interfaces group [RFC 2863]. When there exists more than one upstream or downstream channel, the CM/CMTS **MUST** implement an instance of IfEntry for each channel. The ifStack group [RFC 2863] **MUST** be used to define the relationships among the CATV MAC interfaces and their channels.

#### 7.5.1 Additional MIB implementation requirements

To support performance monitoring and data collection for capacity, fault, and performance management, CMs and CMTSes **MUST** support MIB objects with:

- Accurate in measurement
- Counter properly working (i.e. counter roll over at maximum)
- Correct counter capacity
- Counter reset properly
- Update rate of 1 second

## 7.6 Coexistence



**Figure 7-10 Coexistence (DOCSIS 1.0 mode vs. DOCSIS 1.1 mode vs. DOCSIS 2.0 mode)**

When a DOCSIS 2.0-compliant CM is connected to a 2.0 CMTS, it can operate in DOCSIS 2.0, 1.1, or 1.0 mode.

When a DOCSIS 2.0-compliant CM is connected to a 1.1 CMTS, it can operate in either DOCSIS 1.1 or 1.0 mode.

When a DOCSIS 2.0-compliant CM is connected to a 1.0 CMTS, it operates in DOCSIS 1.0 mode.

Refer to [DOCSIS 5] and the BPI+ specification for more detailed descriptions of features available for DOCSIS 2.0-compliant CM operating modes.

### 7.6.1 Coexistence and MIBs

The following table summarizes the requirements for MIB support for a DOCSIS 2.0 CM operating in DOCSIS 2.0, 1.1, or 1.0 mode.

The table also addresses the cases where different sections of a MIB have different support requirements across CM operational modes.<sup>1</sup>

<sup>1</sup> Revised Table 7-9 per ECN OSS2-N-03069 by GO on 07/11/03.

**Table 7-10 DOCSIS 2.0 CM Modes and MIB Requirements**

SNMP version:	v1/v2c RO	v1/v2c	v1/v2c/v3	v1/v2c	v1/v2c/v3	v1/v2c	v1/v2c/v3
<b>2.0 CM</b>	<b>Before Registration (RO from CMCI only)</b>	<b>Docsis 1.0 Mode + NmAccess</b>	<b>Docsis 1.0 Mode + SNMP Coexistence</b>	<b>Docsis 1.1 Mode + NmAccess</b>	<b>Docsis 1.1 Mode + SNMP Coexistence</b>	<b>Docsis 2.0 Mode + NmAccess</b>	<b>Docsis 2.0 Mode + SNMP Coexistence</b>
Access-ible MIBs	DOCS-IF-MIB	DOCS-IF-MIB	DOCS-IF-MIB	DOCS-IF-MIB	DOCS-IF-MIB	DOCS-IF-MIB	DOCS-IF-MIB
	IF-EXT (9)	RFC2863	RFC2863	IF-EXT (9)	IF-EXT (9)	RFC2863	RFC2863
	RFC2863	RFC1493	RFC1493	RFC2863	RFC2863	RFC1493	RFC1493
	RFC1493	RFC2669	RFC2669(1)	RFC1493	RFC1493	RFC2669	RFC2669
	RFC2669(1)	RFC2011	RFC2011	RFC2669	RFC2669(1)	RFC2011	(1)
	RFC2011(1)	RFC2013	RFC2013	RFC2011	RFC2011	RFC2013	RFC2011
	RFC2013	RFC3418	RFC3418	RFC2013	RFC2013	RFC3418	RFC2013
	RFC3418	RFC2665	RFC2665	RFC3418	RFC3418	RFC2665	RFC3418
	RFC2665	RFC2933 (7)	RFC2933 (7)	RFC2665	RFC2665	RFC2933	RFC2665
	RFC2933 (1, 7)	RFC3083	RFC3083	RFC2933	RFC2933	QOS	RFC2933
	RFC3083	BPI+ (6)	BPI+ (6)	QOS	QOS	BPI+	QOS
	QOS	USB	USB	BPI+	BPI+	USB	BPI+
	QOS	TRAP(2)	RFC2786	USB	RFC2786	TRAP	RFC2786
	BPI+		RFC3411	TRAP	RFC3411		RFC3411
	USB		RFC3412		RFC3412		RFC3412
	TRAP		RFC3413		RFC3413		RFC3413
			RFC3414		RFC3414		RFC3414
			RFC3415		RFC3415		RFC3415
			RFC2576		RFC2576		RFC2576
			TRAP(2)		USB		USB
				TRAP		TRAP	

**Table 7-10 DOCSIS 2.0 CM Modes and MIB Requirements (Continued)**

SNMP version:	v1/v2c RO	v1/v2c	v1/v2c/v3	v1/v2c	v1/v2c/v3	v1/v2c	v1/v2c/v3
2.0 CM	Before Registration (RO from CMCI only)	Docsis 1.0 Mode + NmAccess	Docsis 1.0 Mode + SNMP Coexistence	Docsis 1.1 Mode + NmAccess	Docsis 1.1 Mode + SNMP Coexistence	Docsis 2.0 Mode + NmAccess	Docsis 2.0 Mode + SNMP Coexistence
Inaccessible MIBs	RFC2669	QOS(5)	RFC2669	RFC2786 (4)	RFC2669	IF-EXT(9)	IF-EXT(9)
	NmAccessTable	RFC2786 (4)	NmAccessTable(3)	RFC3411 (5)	NmAccessTable(3)	RFC2786 (4)	RFC2669
	RFC2669	RFC3411	QOS(5)	RFC3412	RFC3083	RFC3411(5)	NmAccessTable
	CpeTable	RFC3412(5)		RFC3413 (5)		RFC3412(5)	RFC3083
	RFC2011	RFC3413		RFC3414		RFC3413	
	ipAddrTable (8)	RFC3414 (5)		RFC3415 (5)		RFC3414 (5)R	
	RFC2011	RFC3415 (5)		RFC2576 (5)		RFC3415(5)	
	ipNetToMedia(8)						
	RFC2933						
	InterfaceQueue(8)	RFC2576 (5)		RFC3083 (5)		RFC2576 (5)	
	RFC2933					RFC3083(5)	
	IGMP						
	CacheTable (8)						
	RFC2786						
	RFC3411						
	RFC3412						
	RFC3413						
	RFC3414						
RFC3415							
RFC2576							

**Notes to Table 7-10:**

- Part of a mib is not accessible. See Inaccessible section for inaccessible objects.
- Supporting this MIB is optional. When DOCSIS 2.0 CM operates at 1.0 mode, it MAY (optionally) support DOCS-CABLE-DEVICE-TRAP-MIB. Some of the traps will not be applicable. Please see Appendix A for details.
- RFC 2669 - When CM is in SNMP Coexistence mode, the CM MUST respond with "NoSuchName" or corresponding SNMPv2c error code "NoAccess" for all requests to tables and objects in docsDevNmAccessTable.
- RFC 2786 - When CM is in SNMP V1/V2c NmAccess mode, CM MUST respond with "NoSuchName" or corresponding SNMPv2c error code "NoAccess" for all requests to tables and objects in this MIB.
- When CM is in SNMP v1/v2c NmAccess mode, CM MUST respond with "NoSuchName" or corresponding SNMPv2c error code "NoAccess" for all requests to tables and objects defined.
- BPI+ MIB Part of DOCS-BPI2-MIB MUST be supported to enable secure software download. Refer to Appendix A for specific MIB object requirements. For all other objects in DOCS-BPI2-MIB CM MUST respond with "NoSuchName" or corresponding SNMPv2c error code "NoAccess" for all requests.
- Supporting this MIB is optional. If CM in 1.0 mode supports IGMP, it must implement RFC 2933.
- Access to this object SHOULD be prohibited as it contains IP address object(s). Refer to Section 5.2 for more details.

9. This MIB has been deprecated and MUST NOT be supported in DOCSIS 2.0 modes.
10. This MIB has been deprecated and is optional in DOCSIS 1.1 modes.

The following MIB Identities are used in Table 7-10:<sup>1</sup>

[RFC 1493] - BRIDGE-MIB  
[RFC 3418] - SNMPv2-MIB  
[RFC 2011] - IP-MIB  
[RFC 2013] - UDP  
[RFC 3411] - SNMP-FRAMEWORK-MIB  
[RFC 3412] - SNMP-MPD-MIB  
[RFC 3413] - SNMP Applications: SNMP-TARGET-MIB, SNMP-NOTIFICATION-MIB  
[RFC 3414] - SNMP-USER-BASED-SM-MIB  
[RFC 3415] - SNMP-VIEW-BASED-ACM-MIB  
[RFC 2576] - SNMP-COMMUNITY-MIB  
[RFC 2665] - EtherLike-MIB  
[RFC 2669] - DOCS-CABLE-DEVICE-MIB  
[RFC 2786] - SNMP-USM-DH-OBJECTS-MIB  
[RFC 2863] - IF-MIB  
[RFC 2933] - IGMP-STD-MIB  
[RFC 3083] - DOCS-BPI-MIB  
BPI+ - DOCS-BPI2-MIB  
IF-EXT - DOCS-IF-EXT-MIB (see Annex G)  
QOS - DOCS-QOS-MIB  
DOCS-IF-MIB - Supersedes RFC 2670 draft for DOCSIS 2.0 DOCSIS device.  
Trap - DOCS-CABLE-DEVICE-TRAP-MIB (See Annex H)  
USB - USB-MIB

### 7.6.2 Coexistence and SNMP

A DOCSIS 2.0-compliant CM MUST support SNMPv3 and SNMPv1/v2c functionality as specified in Section 5 regardless of what mode (DOCSIS 1.0, 1.1, or 2.0) the CM operates in.

---

<sup>1</sup>. Revised MIB Identities per ECN OSSI2-N-03067 by GO on 02/17/04.

## 8 OSSI for BPI+

This section provides the requirements, guidelines, and/or examples related to the Digital Certificate management process and policy.

### 8.1 DOCSIS Root CA

The DOCSIS Root CA issues two kinds of digital certificates as specified by the BPI+ specification. One is the Manufacturer CA Certificate embedded in the DOCSIS 2.0-compliant CM and verified by the CMTS in order to authenticate the CM during the CM initialization when the CM is provisioned to enable BPI+. The other is the Manufacturer Code Verification Certificate (CVC) embedded in the CM Code File and verified by the CM in order to authenticate the CM Code File during Secure Software Downloading regardless of whether the BPI+ is provisioned or not.

The legitimate DOCSIS Root CA Certificate needs to be delivered to cable operators and/or CMTS vendors because the legitimate DOCSIS Root CA Certificate **MUST** be provisioned in the CMTS in order to realize the correct CM Authentication. The legitimate DOCSIS Root CA Certificate also needs to be delivered to CM vendors because the legitimate DOCSIS Root CA Public Key extracted from the legitimate DOCSIS Root CA Certificate **MUST** be embedded in the CM in order for the CM to verify the CVC in the CM Code File. Since the DOCSIS Root CA Certificate is not a secret, the DOCSIS Root CA **MAY** disclose the DOCSIS Root CA Certificate to any organization including cable operators, CMTS vendors, and CM vendors.

### 8.2 Digital Certificate Validity Period and Re-issuance

#### 8.2.1 DOCSIS Root CA Certificate

The validity period of the DOCSIS Root CA Certificate is 30 years. The re-issuance process is TBD.

#### 8.2.2 DOCSIS Manufacturer CA Certificate

When the DOCSIS Root CA newly issues the DOCSIS Manufacturer CA Certificate, the following conditions apply:

- `tbsCertificate.validity.notBefore` **MUST** be the actual issuance date and time
- `tbsCertificate.validity.notAfter` **MUST** be the actual issuance date and time plus 20 years

Before the DOCSIS Manufacturer CA Certificate expires, a certificate with the same information except the `tbsCertificate.validity.notAfter` and `tbsCertificate.serialNumber` needs to be re-issued. DOCSIS 2.0-compliant CM vendors **MUST** obtain the re-issued DOCSIS Manufacturer CA Certificate from the DOCSIS Root CA at least two years before the `tbsCertificate.validity.notAfter` value of the current DOCSIS Manufacturer CA Certificate.

When the DOCSIS Root CA re-issues the DOCSIS Manufacturer CA Certificate, the following attribute values **MUST** be the same as the current DOCSIS Manufacturer CA Certificate:

- `tbsCertificate.issuer`
- `tbsCertificate.subject`
- `tbsCertificate.subjectPublicKeyInfo`

As well, the `tbsCertificate.validity.notAfter` value **MUST** be the actual re-issuance date and time plus 20 years.

#### 8.2.3 DOCSIS CM Certificate

The requirements for the DOCSIS CM Certificate including the validity period are specified by the BPI+ specification.

### 8.2.4 DOCSIS Code Verification Certificate

When the DOCSIS Root CA newly issues the DOCSIS Manufacturer Code Verification Certificate (CVC), the following conditions apply:

- the `tbsCertificate.validity.notBefore` value **MUST** be the actual issuance date and time
- `tbsCertificate.validity.notAfter` **MUST NOT** exceed an actual issuance date and time by 10 years, and **MUST** be valid at least 2 years from the actual issuance date.

Before the DOCSIS Manufacturer CVC expires, the certificate with the same information except the `tbsCertificate.validity.notBefore`, the `tbsCertificate.validity.notAfter` and `tbsCertificate.serialNumber` needs to be re-issued. DOCSIS 2.0-compliant CM vendors **MUST** obtain the re-issued DOCSIS Manufacturer CVC from the DOCSIS Root CA at least 6 months before the `tbsCertificate.validity.notAfter` value of the current DOCSIS Manufacturer CVC.

When the DOCSIS Root CA re-issues the DOCSIS Manufacturer CVC, the following attribute values **MUST** be the same as the current DOCSIS Manufacturer CVC:

- `tbsCertificate.issuer`
- `tbsCertificate.subject`<sup>1</sup>

As well, the `tbsCertificate.validity.notBefore` value **MUST** be between the `tbsCertificate.validity.notBefore` value of the current DOCSIS Manufacturer CVC, and the actual issuance date and time. (That is, the `tbsCertificate.validity.notBefore` value can be the same as the `tbsCertificate.validity.notBefore` value of the current DOCSIS Manufacturer CVC, the actual issuance date and time, or any value between there two values.)

In addition, the `tbsCertificate.validity.notAfter` **MUST** be the actual re-issuance date and time plus 2 to 10 years.<sup>2</sup>

## 8.3 CM Code File Signing Policy

CM vendors and cable operators can control the Secure Software Download process based on their policies by updating the Manufacturer/Co-Signer CVC or by changing the `signingTime` in the Manufacturer/Co-Signer CVS (Code Verification Signature). At this time, the DOCSIS 2.0 specifications do not specify the policy related to the CM Code File signing process. However, an example of the policy is specified in this section.

### 8.3.1 Manufacturer CM Code File Signing Policy

A DOCSIS 2.0-compliant CM vendor and its Manufacturer Code Signing Agent (Mfg CSA), which securely stores the RSA private key corresponding to the RSA public key in the Manufacturer CVC and generates the CVS for the CM Code File, **MAY** employ the following policy for the CM Code File signing process.

The Mfg CSA continues to put exactly the same date and time value (T1) in the `signingTime` field in the Mfg CVS of the CM Code File as long as the vendor does not have any CM Code File to revoke.

Once the vendor realizes there are certain issues in one or more CM Code File(s) and wants to revoke them, the vendor chooses the current date and time value (T2) and starts using T2 as the `signingTime` value in the Mfg CVS for all the newly created CM Code File from that point. In addition, it re-signs all the still-good old CM Code Files using the T2.

Under this policy, because the multiple CM Code Files make a group of the CM Code Files with the exact same `signingTime` value in the Mfg CVS, the operator can download any CM Code File in the group in any order. That is, among the CM Code Files in the same group, the CM's software can be downgraded if necessary.

---

<sup>1</sup> Revised preceding paragraph and bullet statements per ECN OSS2-N-03053 by GO on 06/04/03.

<sup>2</sup> Revised this paragraph per ECN OSSiv2.0-N-0130-2 by GO on 3/17/04.

## 9 OSSI for CMCI

This section defines the operational mechanisms needed to support the transmission of data over cable services between a cable modem and customer premise equipment. More specifically, this section outlines the following:

- SNMP access via CMCI
- Console Access
- CM diagnostic capabilities
- Protocol Filtering
- Required MIBs

Currently, the CMCI is categorized as internal, external, and CPE-Controlled cable modem functional reference models. The external cable modems MAY have either an Ethernet 10Base-T, a Universal Serial Bus (USB) CMCI interface, or both. If both interfaces are present on a CM, they MAY be active at the same time.

Internal cable modems MUST utilize the Peripheral Component Interconnect (PCI) bus for transparent bi-directional IP traffic forwarding. The PCI interface MUST be defined and accessible from an SNMP manager for both operational and security purposes.

A CPE-Controlled Cable modem's (CCCM) CMCI MAY be either a Peripheral Component Interconnect (PCI) or Universal Serial Bus (USB) interface. If PCI is utilized, the interface MUST be defined and accessible from an SNMP manager for both operational and security purposes.

### 9.1 SNMP Access via CMCI

SNMP access from the CMCI before and after completing the CMTS registration process, MUST comply with the access requirements specified in Section 5.2. The CM MUST support SNMP access through the following IP addresses:

1. The CM DHCP-acquired IP MUST accept an SNMP request from CMCI only after completing registration.
2. The CM MUST support 192.168.100.1 as the well-known diagnostic IP address accessible only from the CMCI interfaces regardless of the CM registration state. The well-known diagnostic IP address, 192.168.100.1, MUST be supported on all physical interfaces associated with the CMCI (e.g. USB, 10Base-T, etc.). SNMP requests coming from the CATV interface targeting the well-known IP MUST be drop by CM.

CM MAY also implement alternative interfaces like link-local method described in the IETF document "draft-ietf-zeroconf-ipv4-linklocal-10.txt" [IETF10]. If implemented, the CM MUST restrict the IP address range described in "Ipv4 Link-local address selection, defense and delivery" of the mentioned document to 169.254.1.0 – 169.254.1.255.<sup>1</sup>

### 9.2 Console Access

An external cable modem MUST NOT allow access to the CM functions via a console port. In this specification, a console port is defined as a communication path, either hardware or software, that allows a user to issue commands to modify the configuration or operational status of the CM. Access to the external CM MUST only be allowed using DOCSIS 2.0-defined RF interfaces and operator-controlled SNMP access via the CMCI.

---

<sup>1</sup> Revised the first sentence of this paragraph per ECN OSSv2.0-N-03.0117-2 by GO on 2/19/04.

### 9.3 CM Diagnostic Capabilities

The CM MAY have a diagnostic interface for debugging and troubleshooting purposes. The interface MUST be limited by default to the requirements described in Section 5.2 a) before and after registration, and SHOULD be disabled by default after registration has been completed. Additional controls MAY be provided that will enable the MSO to alter or customize the diagnostic interface, such as via the configuration process or later management by the MSO through the setting of a proprietary MIB.

### 9.4 Protocol Filtering<sup>1</sup>

The CM MUST be capable of filtering traffic to and from the host CPE as defined in Section 7.3. All ICMP type packets MUST be forwarded from the CMCI interface to the RF upstream interface, unless they are required to be discarded according to filtering rules. The CMCI MUST also adhere to the data forwarding rules defined in [DOCSIS 5].

### 9.5 Management Information Base (MIB) Requirements

All Cable Modems MUST implement the MIBs detailed in Section 6 of this specification, with the following exceptions:

- An external CM with only USB interface(s) MUST NOT implement [RFC 2665], the Ethernet Interface MIB.
- An external CM with only USB interface(s) MUST implement the IETF Proposed Standard RFC version of the USB MIB.
- An internal CM MAY implement [RFC 2665], the Ethernet Interface MIB.

---

<sup>1</sup>. Revised this subsection paragraph per ECN OSSIV2.0-N-04.0194-2 by GO on 2/21/05.

## 10 CM Operational Status Visualization<sup>1</sup>

DOCSIS 2.0 compliant CM is RECOMMENDED to support a standard front-panel LEDs (Light Emitting Diode) that presents straightforward information about the registration state of the CM to facilitate efficient customer support operations.

### 10.1 CM LEDs Requirements and Operation

The LEDs on a DOCSIS 2.0 compliant CM SHOULD have three states; 1) unlit, 2) flash, 3) lit solid. A 'flash' LED SHOULD turn on and off with a 50% duty cycle at a frequency not less than 2 cycles per second.

The LEDs will light sequentially, following the normal CM boot-up procedure, as specified in the DOCSIS RFI specification. In this way, the installer can detect a failure that prevents the CM from becoming operational.

DOCSIS 2.0 compliant CMs is RECOMMENDED to have a minimum of five LEDs visible on the outside case divided in three functional groups:

- **BOX:** It SHOULD have 1 LED labelled as POWER
- **DOCSIS:** This group has LEDs for the DOCSIS interface. It SHOULD have 3 LEDs labelled as DS, US, and ONLINE
- **CPE:** This Group has the LINK LED indication. It SHOULD have a minimum of 1 LED labelled as LINK. DOCSIS 2.0 CMs MAY have multiple LEDs in the CPE Group to represent individual CPE interfaces types and parameters. Those LEDs MAY be labelled according to their associated interface type.

There is no specific requirement for labelling the functional groups, Moreover, the LEDs in the DOCSIS group SHOULD be in the order DS, US, and ONLINE, from left to right, or Top to Bottom, as appropriate for the orientation of the device. As well, the overall LED distribution SHOULD intend to be in the order POWER, DS, US, ONLINE, and LINK.

The RECOMMENDED LEDs indicate the following steps are in progress, or have completed successfully by the CM:

- Power on and optionally any proprietary CM self-test
- DOCSIS Downstream Scanning and Sync
- DOCSIS Upstream Channel Selection and Ranging
- Becoming operational
- Data Link and Activity

**Note:** RECOMMENDED LEDs SHOULD operate as described below:

#### 10.1.1 Power and self test

When the CM is turned on, the RECOMMENDED LEDs, or at least the DOCSIS Group LEDs (DS, US, ONLINE), SHOULD 'flash' while the CM performs the system initialization of the Operational System, CM application load, and any proprietary self-tests. Following the successful completion of the steps above, the RECOMMENDED LEDs, or at least the DOCSIS Group LEDs, SHOULD show "lit solid" for one second and then only the POWER LED SHOULD remain 'lit solid'. The LINK LED MAY also be 'lit solid' if a CPE device

---

<sup>1</sup>. Added Section 10 per ECN OSS2-N-03025 by GO on 06/13/03.

is properly connected (see Section 10.1.5 below). If the system initialization, described above, results in a failure, the RECOMMENDED LEDs, or at least the DOCSIS Group LEDs SHOULD continue to 'flash'.

### 10.1.2 Scanning and Synchronization to Downstream

DS: The DS LED SHOULD 'flash' as the CM scans for a Downstream DOCSIS channel. The DS LED SHOULD go to 'lit solid' when the CM MAC layer has already synchronized, as defined in [DOCSIS 5] Section 9.2.1. Whenever the CM is scanning for a downstream channel and attempting to synchronize to a downstream channel, the DS LED SHOULD 'flash' and the US and ONLINE LEDs SHOULD be 'unlit'.

### 10.1.3 DOCSIS Upstream obtaining parameters

US: After the DS LED goes 'lit solid', the US LED SHOULD 'flash' and the ONLINE LED SHOULD be 'unlit', while the CM is obtaining upstream parameters and performing initial ranging. When the CM Completes a successful initial Ranging, the US LED SHOULD go 'lit solid' (See Figure 9-3 Obtaining US parameters in [DOCSIS 5]).

### 10.1.4 Becoming Operational

ONLINE: After the US LED goes 'lit solid', the ONLINE LED SHOULD 'flash' while the CM continues the process to become operational. When the CM is operational, the ONLINE LED SHOULD be 'lit solid'. Operational is defined according to [DOCSIS 5], Figure 9-1, CM initialization overview. If at any point there is a failure in the registration process that causes the CM to not become operational (ranging, DHCP, configuration file download, registration, Baseline Privacy initialization, etc.), the ONLINE LED SHOULD continue to 'flash'.

If the CM becomes operational and the CM configuration file has the Network Access Control Object (NACO) set to off, the ONLINE LED SHOULD be 'unlit', while 'DS and US LEDs SHOULD 'flash'.

### 10.1.5 Data Link and Activity

LINK ACTIVITY: This LED SHOULD be 'lit solid' when a CPE device is connected and the CM is not bridging data. The LED SHOULD only 'flash' when the CM is bridging data during the CM operational state and NACO=1. The Link LED SHOULD not 'flash' for data traffic originating or terminating at the CM device itself.

If link is detected with a CPE device, the LINK LED MAY 'lit solid' any time after the power and self test step is completed.

## 10.2 Additional CM Operational Status Visualization Features

It is acceptable to change the DOCSIS defined LED behavior when the CM is in a vendor proprietary mode of operation. A DOCSIS 2.0 Compliant CM MUST NOT have additional LEDs that reveal DOCSIS specific information about the configuration file content or otherwise clearly specified (see NACO visualization in section 10.1.4 and 10.1.5).

### 10.2.1 Software Download

The CM Should signal that a Software Download [DOCSIS 6], Appendix D is in process, by indicating DS and US LEDs to 'flash', and ONLINE LED 'lit solid'.

## Annex A Detailed MIB Requirements (normative)<sup>1</sup>

The following abbreviations and rules apply in this Annex:

**ACC-FN** Accessible for Notify.

**ATRAP** Accessible through SNMP trap.

**D** Deprecated. Deprecated objects are optional. That is, a vendor can choose to implement or not implement the object. If a vendor chooses to implement the object, the object **MUST** be implemented correctly according to the MIB definition. If a vendor chooses not to implement the object, an agent **MUST NOT** instantiate such object and **MUST** respond with the appropriate error/exception condition (e.g., no such object for SNMPv2c).

**M** Mandatory. The object **MUST** be implemented correctly according to the MIB definition.

**N-Acc** Not accessible. The object is not accessible and is usually an index in a table.

**NA** Not Applicable. Not applicable to the device.

**N-Sup** **MUST** not support. The device **MUST NOT** support the object. That is, an agent **MUST NOT** instantiate such object and **MUST** respond with the appropriate error/exception condition (e.g., no such object for SNMPv2c).

**O** Optional. A vendor can choose to implement or not implement the object. If a vendor chooses to implement the object, the object **MUST** be implemented correctly according to the MIB definition. If a vendor chooses not to implement the object, an agent **MUST NOT** instantiate such object and **MUST** respond with the appropriate error/exception condition (e.g., no such object for SNMPv2c).

**Ob** Obsolete. It is optional. Though in SNMP convention, obsolete objects should not be implemented, DOCSIS 2.0 OSSI lets vendors choose whether or not to support the obsolete object. That is, a vendor can choose to implement or not implement the object. If a vendor chooses to implement the object, the object **MUST** be implemented correctly according to the MIB definition. If a vendor chooses not to implement the object, the SNMP agent **MUST NOT** instantiate such object and **MUST** respond with the appropriate error/exception condition (e.g., no such object for SNMPv2c).

**RC** Read-Create. The access of the object **MUST** be implemented as Read-Create.

**RO** Read-Only. The access of the object **MUST** be implemented as Read-Only.

**RW** Read-Write. The access of the object **MUST** be implemented as Read-Write.

**RC/RO** Read-Create or Read-Only. The access of the object **MUST** be implemented as either Read-Create or Read-Only as described in the MIB definition.

**RW/RO** Read-Write or Read-Only. The access of the object **MUST** be implemented as either Read-Write or Read-Only as described in the MIB definition.

---

<sup>1</sup>. Revised the following table/matrix per ECN OSS2-N-03021 (rescinded OSS-N-02234), OSS2-N-03014, OSS2-N-03023, OSS2-N-03069, OSS2-N-03071, OSS2-N-03067, OSS2-N-03090, OSSiv2.0-N-04.0127-4, OSSiv2.0-N-04.0139-2, OSSiv2.0-N-0166-3, OSSiv2.0-N-0201-3, OSSiv2.0-N-0202-2, and OSSiv2.0-N-05.0214-1 by GO on 02/26/03, 03/2/03, 07/11/03, 11/17/03, 3/16/04, 7/8/04, 10/15/04, 2/21/05, and 3/15/05.

DOCS-IF-MIB (DOCS-IF-MIB: draft-ietf-ipcdn-docs-rfmibv2-05.txt)								
<b>docslfDownstreamChannelTable</b>								
Object	2.0 CMin 1.0 mode	Access	2.0 CMin 1.1 mode	Access	2.0 CMin 2.0 mode	Access	CMTS	Access
docslfDownChannelId	M	RO	M	RO	M	RO	M	RW
docslfDownChannelFrequency	M	RO	M	RO	M	RO	M	RW/RO
docslfDownChannelWidth	M	RO	M	RO	M	RO	M	RW/RO
docslfDownChannelModulation	M	RO	M	RO	M	RO	M	RW
docslfDownChannelInterleave	M	RO	M	RO	M	RO	M	RW
docslfDownChannelPower	M	RO	M	RO	M	RO	M	RW/RO
docslfDownChannelAnnex	O	RO	O	RO	M	RO	M	RW/RO
<b>docslfUpstreamChannelTable</b>								
Object	2.0 CMin 1.0 mode	Access	2.0 CMin 1.1 mode	Access	2.0 CMin 2.0 mode	Access	CMTS	Access
docslfUpChannelId	M	RO	M	RO	M	RO	M	RC
docslfUpChannelFrequency	M	RO	M	RO	M	RO	M	RC
docslfUpChannelWidth	M	RO	M	RO	M	RO	M	RC
docslfUpChannelModulationProfile	M	RO	M	RO	M	RO	M	RC
docslfUpChannelSlotSize	M	RO	M	RO	M	RO	M	RC/RO
docslfUpChannelTxTimingOffset	M	RO	M	RO	M	RO	M	RO
docslfUpChannelRangingBackoffStart	M	RO	M	RO	M	RO	M	RC
docslfUpChannelRangingBackoffEnd	M	RO	M	RO	M	RO	M	RC
docslfUpChannelTxBackoffStart	M	RO	M	RO	M	RO	M	RC
docslfUpChannelTxBackoffEnd	M	RO	M	RO	M	RO	M	RC
docslfUpChannelScdmaActiveCodes	O	RO	O	RO	M	RO	M	RC
docslfUpChannelScdmaCodesPerSlot	O	RO	O	RO	M	RO	M	RC
docslfUpChannelScdmaFrameSize	O	RO	O	RO	M	RO	M	RC
docslfUpChannelScdmaHoppingSeed	O	RO	O	RO	M	RO	M	RC
docslfUpChannelType	O	RO	O	RO	M	RO	M	RC
docslfUpChannelCloneFrom	O	RO	O	RO	M	RO	M	RC
docslfUpChannelUpdate	O	RO	O	RO	M	RO	M	RC
docslfUpChannelStatus	O	RO	O	RO	M	RO	M	RC
docslfUpChannelPreEqEnable	O	RO	M	RO	M	RO	M	RC
<b>docslfQosProfileTable</b>								
Object	2.0 CMin 1.0 mode	Access	2.0 CMin 1.1 mode	Access	2.0 CMin 2.0 mode	Access	CMTS	Access
docslfQosProfIndex	M	N-Acc	O	N-Acc	O	N-Acc	O	N-Acc

docslfQosProfPriority	M	RO	O	RO	O	RO	O	RC/RO	
docslfQosProfMaxUpBandwidth	M	RO	O	RO	O	RO	O	RC/RO	
docslfQosProfGuarUpBandwidth	M	RO	O	RO	O	RO	O	RC/RO	
docslfQosProfMaxDownBandwidth	M	RO	O	RO	O	RO	O	RC/RO	
docslfQosProfMaxTxBurst	D	RO	D	RO	D	RO	D	RC/RO	
docslfQosProfBaselinePrivacy	M	RO	O	RO	O	RO	O	RC/RO	
docslfQosProfStatus	M	RO	O	RO	O	RO	O	RC/RO	
docslfQosProfMaxTransmitBurst	M	RO	O	RO	O	RO	O	RC/RO	
<b>docslfSignalQualityTable</b>									
<b>Object</b>					<b>CM</b>	<b>Access</b>	<b>CMTS</b>	<b>Access</b>	
docslfSigQIncludesContention					M	RO	M	RO	
docslfSigQUnerrored					M	RO	M	RO	
docslfSigQCorrected					M	RO	M	RO	
docslfSigQUncorrectables					M	RO	M	RO	
docslfSigQSignalNoise					M	RO	M	RO	
docslfSigQMicroreflections					M	RO	M	RO	
docslfSigQEqualizationData					M	RO	M	RO	
<b>Object</b>		<b>2.0 CMin 1.0 mode</b>	<b>Access</b>	<b>2.0 CMin 1.1 mode</b>	<b>Access</b>	<b>2.0 CMin 2.0 mode</b>	<b>Access</b>	<b>CMTS</b>	<b>Access</b>
docslfSigQExtUnerrored		O	RO	O	RO	M	RO	M	RO
docslfSigQExtCorrected		O	RO	O	RO	M	RO	M	RO
docslfSigQExtUncorrectables		O	RO	O	RO	M	RO	M	RO
<b>(no table)</b>									
<b>Object</b>		<b>2.0 CMin 1.0 mode</b>	<b>Access</b>	<b>2.0 CMin 1.1 mode</b>	<b>Access</b>	<b>2.0 CMin 2.0 mode</b>	<b>Access</b>	<b>CMTS</b>	<b>Access</b>
docslfDocsisBaseCapability		O	RO	M	RO	M	RO	M	RO
<b>docslfCmMacTable</b>									
<b>Object</b>					<b>CM</b>	<b>Access</b>	<b>CMTS</b>	<b>Access</b>	
docslfCmCmtsAddress					M	RO	NA	NA	
docslfCmCapabilities					M	RO	NA	NA	
docslfCmRangingTimeout					Ob	N-Sup	NA	NA	
docslfCmRangingTimeout					M	RW	NA	NA	
<b>docslfCmStatusTable</b>									

Object	2.0 CMin 1.0 mode	Access	2.0 CMin 1.1 mode	Access	2.0 CMin 2.0 mode	Access	CMTS	Access
docslfCmStatusValue	M	RO	M	RO	M	RO	NA	NA
docslfCmStatusCode	M	RO	M	RO	M	RO	NA	NA
docslfCmStatusTxPower	M	RO	M	RO	M	RO	NA	NA
docslfCmStatusResets	M	RO	M	RO	M	RO	NA	NA
docslfCmStatusLostSyncs	M	RO	M	RO	M	RO	NA	NA
docslfCmStatusInvalidMaps	M	RO	M	RO	M	RO	NA	NA
docslfCmStatusInvalidUcds	M	RO	M	RO	M	RO	NA	NA
docslfCmStatusInvalidRanging Responses	M	RO	M	RO	M	RO	NA	NA
docslfCmStatusInvalidRegistration Responses	M	RO	M	RO	M	RO	NA	NA
docslfCmStatusT1Timeouts	M	RO	M	RO	M	RO	NA	NA
docslfCmStatusT2Timeouts	M	RO	M	RO	M	RO	NA	NA
docslfCmStatusT3Timeouts	M	RO	M	RO	M	RO	NA	NA
docslfCmStatusT4Timeouts	M	RO	M	RO	M	RO	NA	NA
docslfCmStatusRangingAborteds	M	RO	M	RO	M	RO	NA	NA
docslfCmStatusDocsisOperMode	O	RO	M	RO	M	RO	NA	NA
docslfCmStatusModulationType	O	RO	M	RO	M	RO	NA	NA
docslfCmStatusEqualizationData	O	RO	M	RO	M	RO	NA	NA
<b>(no table)</b>								
<b>Object</b>					<b>CM</b>	<b>Access</b>	<b>CMTS</b>	<b>Access</b>
docslfCmtsChannelUtilizationInterval					NA	NA	M	RW
<b>DocslfCmtsChannelUtilizationTable</b>								
<b>Object</b>					<b>CM</b>	<b>Access</b>	<b>CMTS</b>	<b>Access</b>
docslfCmtsChannelUtilType					NA	NA	M	N-Acc
docslfCmtsChannelUtilId					NA	NA	M	N-Acc
docslfCmtsChannelUtilization					NA	NA	M	RO
<b>DocslfCmtsDownChannelCounterTable</b>								
<b>Object</b>					<b>CM</b>	<b>Access</b>	<b>CMTS</b>	<b>Access</b>
docslfCmtsDownChnlCtrlId					NA	NA	M	RO
docslfCmtsDownChnlCtrTotalBytes					NA	NA	M	RO
docslfCmtsDownChnlUsedBytes					NA	NA	M	RO
docslfCmtsDownChnlExtTotalBytes					NA	NA	M	RO
docslfCmtsDownChnlExtUsedBytes					NA	NA	M	RO
<b>DocslfCmtsUpChannelCounterTable</b>								
<b>Object</b>					<b>CM</b>	<b>Access</b>	<b>CMTS</b>	<b>Access</b>

docslfCmtsUpChnlCtrlId	NA	NA	M	RO				
docslfCmtsUpChnlCtrTotalMslots	NA	NA	M	RO				
docslfCmtsUpChnlCtrUcastGrantedMslot	NA	NA	M	RO				
docslfCmtsUpChnlCtrTotalCntrMslots	NA	NA	M	RO				
docslfCmtsUpChnlCtrUsedCntrMslots	NA	NA	M	RO				
docslfCmtsUpChnlCtrExtTotalMslots	NA	NA	M	RO				
docslfCmtsUpChnlCtrExtUcastGrantedMslots	NA	NA	M	RO				
docslfCmtsUpChnlCtrExtTotalCntrMslots	NA	NA	M	RO				
docslfCmtsUpChnlCtrExtUsedCntrMslots	NA	NA	M	RO				
docslfCmtsUpChnlCtrCollCntrMslots	NA	NA	M	RO				
docslfCmtsUpChnlCtrTotalCntrReqMslots	NA	NA	M	RO				
docslfCmtsUpChnlCtrUsedCntrReqMslots	NA	NA	M	RO				
docslfCmtsUpChnlCtrCollCntrReqMslots	NA	NA	M	RO				
docslfCmtsUpChnlCtrTotalCntrReqDataMslots	NA	NA	M	RO				
docslfCmtsUpChnlCtrUsedCntrReqDataMslots	NA	NA	M	RO				
docslfCmtsUpChnlCtrCollCntrReqDataMslots	NA	NA	M	RO				
docslfCmtsUpChnlCtrTotalCntrInitMaintMslots	NA	NA	M	RO				
docslfCmtsUpChnlCtrUsedCntrInitMaintMslots	NA	NA	M	RO				
docslfCmtsUpChnlCtrCollCntrInitMaintMslots	NA	NA	M	RO				
docslfCmtsUpChnlCtrExtCollCntrMslots	NA	NA	M	RO				
docslfCmtsUpChnlCtrExtTotalCntrReqMslots	NA	NA	M	RO				
docslfCmtsUpChnlCtrExtUsedCntrReqMslots	NA	NA	M	RO				
docslfCmtsUpChnlCtrExtCollCntrReqMslots	NA	NA	M	RO				
docslfCmtsUpChnlCtrExtTotalCntrReqDataMslots	NA	NA	M	RO				
docslfCmtsUpChnlCtrExtUsedCntrReqDataMslots	NA	NA	M	RO				
docslfCmtsUpChnlCtrExtCollCntrReqDataMslots	NA	NA	M	RO				
docslfCmtsUpChnlCtrExtTotalCntrInitMaintMslots	NA	NA	M	RO				
docslfCmtsUpChnlCtrExtUsedCntrInitMaintMslots	NA	NA	M	RO				
docslfCmtsUpChnlCtrExtCollCntrInitMaintMslots	NA	NA	M	RO				
<b>docslfCmServiceTable</b>								
<b>Object</b>	<b>2.0 CM in 1.0 mode</b>	<b>Access</b>	<b>2.0 CM in 1.1 mode</b>	<b>Access</b>	<b>2.0 CM in 2.0 mode</b>	<b>Access</b>	<b>CMTS</b>	<b>Access</b>
docslfCmServiceId	M	N-Acc	M	N-Acc	M	N-Acc	NA	NA
docslfCmServiceQosProfile	M	RO	M	RO	M	RO	NA	NA
docslfCmServiceTxSlotsImmed	M	RO	M	RO	M	RO	NA	NA
docslfCmServiceTxSlotsDed	M	RO	M	RO	M	RO	NA	NA
docslfCmServiceTxRetries	M	RO	M	RO	M	RO	NA	NA
docslfCmServiceTxExceeds	M	RO	M	RO	M	RO	NA	NA
docslfCmServiceRqRetries	M	RO	M	RO	M	RO	NA	NA
docslfCmServiceRqExceeds	M	RO	M	RO	M	RO	NA	NA
docslfCmServiceExtTxSlotsImmed	O	RO	O	RO	M	RO	NA	NA

docslfCmServiceExtTxSlotsDed	O	RO	O	RO	M	RO	NA	NA
<b>docslfCmtsMacTable</b>								
<b>Object</b>					<b>CM</b>	<b>Access</b>	<b>CMTS</b>	<b>Access</b>
docslfCmtsCapabilities					NA	NA	M	RO
docslfCmtsSyncInterval					NA	NA	M	RW/RO
docslfCmtsUcdInterval					NA	NA	M	RW/RO
docslfCmtsMaxServiceIds					NA	NA	M	RO
docslfCmtsInsertionInterval					NA	NA	Ob	N-Sup
docslfCmtsInvitedRangingAttempts					NA	NA	M	RW/RO
docslfCmtsInsertionInterval					NA	NA	M	RW/RO
<b>docslfCmtsStatusTable</b>								
<b>Object</b>					<b>CM</b>	<b>Access</b>	<b>CMTS</b>	<b>Access</b>
docslfCmtsStatusInvalidRangeReqs					NA	NA	M	RO
docslfCmtsStatusRangingAborted					NA	NA	M	RO
docslfCmtsStatusInvalidRegReqs					NA	NA	M	RO
docslfCmtsStatusFailedRegReqs					NA	NA	M	RO
docslfCmtsStatusInvalidDataReqs					NA	NA	M	RO
docslfCmtsStatusT5Timeouts					NA	NA	M	RO
<b>docslfCmtsCmStatusTable</b>								
<b>Object</b>					<b>CM</b>	<b>Access</b>	<b>CMTS</b>	<b>Access</b>
docslfCmtsCmStatusIndex					NA	NA	M	N-Acc
docslfCmtsCmStatusMacAddress					NA	NA	M	RO
docslfCmtsCmStatusIpAddress					NA	NA	D	RO
docslfCmtsCmStatusDownChannelfIndex					NA	NA	M	RO
docslfCmtsCmStatusUpChannelfIndex					NA	NA	M	RO
docslfCmtsCmStatusRxPower					NA	NA	M	RO
docslfCmtsCmStatusTimingOffset					NA	NA	M	RO
docslfCmtsCmStatusEqualizationData					NA	NA	M	RO
docslfCmtsCmStatusValue					NA	NA	M	RO
docslfCmtsCmStatusUnerrored					NA	NA	M	RO
docslfCmtsCmStatusCorrected					NA	NA	M	RO
docslfCmtsCmStatusUncorrectables					NA	NA	M	RO
docslfCmtsCmStatusSignalNoise					NA	NA	M	RO
docslfCmtsCmStatusMicroreflections					NA	NA	M	RO
docslfCmtsCmStatusExtUnerrored					NA	NA	M	RO
docslfCmtsCmStatusExtCorrected					NA	NA	M	RO
docslfCmtsCmStatusExtUncorrectables					NA	NA	M	RO
docslfCmtsCmStatusDocsisRegMode					NA	NA	M	RO
docslfCmtsCmStatusModulationType					NA	NA	M	RO

docslfCmtsCmStatusInetAddressType	NA	NA	M	RO
docslfCmtsCmStatusInetAddress	NA	NA	M	RO
docslfCmtsCmStatusValueLastUpdate	NA	NA	M	RO
<b>docslfCmtsServiceTable</b>				
<b>Object</b>	<b>CM</b>	<b>Access</b>	<b>CMTS</b>	<b>Access</b>
docslfCmtsServiceId	NA	NA	M	N-Acc
docslfCmtsServiceCmStatusIndex	NA	NA	D	RO
docslfCmtsServiceAdminStatus	NA	NA	M	RW/RO
docslfCmtsServiceQosProfile	NA	NA	M	RO
docslfCmtsServiceCreateTime	NA	NA	M	RO
docslfCmtsServiceInOctets	NA	NA	M	RO
docslfCmtsServiceInPackets	NA	NA	M	RO
docslfCmtsServiceNewCmStatusIndex	NA	NA	M	RO
<b>docslfCmtsModulationTable</b>				
<b>Object</b>	<b>CM</b>	<b>Access</b>	<b>CMTS</b>	<b>Access</b>
docslfCmtsModIndex	NA	NA	M	N-Acc
docslfCmtsModIntervalUsageCode	NA	NA	M	N-Acc
docslfCmtsModControl	NA	NA	M	RC
docslfCmtsModType	NA	NA	M	RC
docslfCmtsModPreambleLen	NA	NA	M	RC
docslfCmtsModDifferentialEncoding	NA	NA	M	RC
docslfCmtsModFECErrorCorrection	NA	NA	M	RC
docslfCmtsModFECCodeWordLength	NA	NA	M	RC
docslfCmtsModScramblerSeed	NA	NA	M	RC
docslfCmtsModMaxBurstSize	NA	NA	M	RC
docslfCmtsModGuardTimeSize	NA	NA	M	RO
docslfCmtsModLastCodeWordShortened	NA	NA	M	RC
docslfCmtsModScrambler	NA	NA	M	RC
docslfCmtsModByteInterleaverDepth	NA	NA	M	RC
docslfCmtsModByteInterleaverBlockSize	NA	NA	M	RC
docslfCmtsModPreambleType	NA	NA	M	RC
docslfCmtsModTcmErrorCorrectionOn	NA	NA	M	RC
docslfCmtsModScdmaInterleaverStepSize	NA	NA	M	RC
docslfCmtsModScdmaSpreaderEnable	NA	NA	M	RO
docslfCmtsModScdmaSubframeCodes	NA	NA	M	RC
docslfCmtsModChannelType	NA	NA	M	RC
<b>Object</b>	<b>CM</b>	<b>Access</b>	<b>CMTS</b>	<b>Access</b>
docslfCmtsQosProfilePermissions	NA	NA	M	RW / RO
<b>docslfCmtsMacToCmTable</b>				

<b>Object</b>	<b>CM</b>	<b>Access</b>	<b>CMTS</b>	<b>Access</b>
docslfCmtsCmMac	NA	NA	M	N-Acc
docslfCmtsCmPtr	NA	NA	M	RO
<b>IF-MIB (RFC 2863)</b>				
<b>Object</b>	<b>CM</b>	<b>Access</b>	<b>CMTS</b>	<b>Access</b>
ifNumber	M	RO	M	RO
IfTableLastChange	M	RO	M	RO
<b>ifTable</b>				
<b>Object</b>	<b>CM</b>	<b>Access</b>	<b>CMTS</b>	<b>Access</b>
ifIndex	M	RO	M	RO
ifDescr	M	RO	M	RO
ifType	M	RO	M	RO
ifMtu	M	RO	M	RO
ifSpeed	M	RO	M	RO
ifPhysAddress	M	RO	M	RO
ifAdminStatus	M	RW	M	RW
ifOperStatus	M	RO	M	RO
ifLastChange	M	RO	M	RO
ifInOctets	M	RO	M	RO
ifInUcastPkts	M	RO	M	RO
ifInNUcastPkts	D	RO	D	RO
ifInDiscards	M	RO	M	RO
ifInErrors	M	RO	M	RO
ifInUnknownProtos	M	RO	M	RO
ifOutOctets	M	RO	M	RO
ifOutUcastPkts	M	RO	M	RO
ifOutNUcastPkts	D	RO	D	RO
ifOutDiscards	M	RO	M	RO
ifOutErrors	M	RO	M	RO
ifOutQLen	D	RO	D	RO
ifSpecific	D	RO	D	RO
<b>ifXTable</b>				
<b>Objects</b>	<b>CM</b>	<b>Access</b>	<b>CMTS</b>	<b>Access</b>
ifName	M	RO	M	RO
ifInMulticastPkts	M	RO	M	RO
ifInBroadcastPkts	M	RO	M	RO

ifOutMulticastPkts	M	RO	M	RO
ifOutBroadcastPkts	M	RO	M	RO
ifHCInOctets	O	RO	O	RO
ifHCInUcastPkts	O	RO	O	RO
ifHCInMulticastPkts	O	RO	O	RO
ifHCInBroadcastPkts	O	RO	O	RO
ifHCOctets	O	RO	O	RO
ifHCOUcastPkts	O	RO	O	RO
ifHCOUmulticastPkts	O	RO	O	RO
ifHCOUbroadcastPkts	O	RO	O	RO
ifLinkUpDownTrapEnable	M	RW	M	RW
ifHighSpeed	M	RO	M	RO
ifPromiscuousMode	M	RW/RO	M	RW/RO
ifConnectorPresent	M	RO	M	RO
ifAlias	M	RW/RO	M	RW/RO
ifCounterDiscontinuityTime	M	RO	M	RO
<b>ifStackTable</b>				
<b>Objects</b>	<b>CM</b>	<b>Access</b>	<b>CMTS</b>	<b>Access</b>
ifStackHigherLayer	M	N-Acc	M	N-Acc
ifStackLowerLayer	M	N-Acc	M	N-Acc
ifStackStatus	M	RC/RO	M	RC/RO
<b>Object</b>				
<b>Object</b>	<b>CM</b>	<b>Access</b>	<b>CMTS</b>	<b>Access</b>
ifStackLastChange	M	RC/RO	M	RC/RO
<b>ifRcvAddressTable</b>				
<b>Object</b>	<b>CM</b>	<b>Access</b>	<b>CMTS</b>	<b>Access</b>
ifRcvAddressAddress	O	N-Acc	O	N-Acc
ifRcvAddressStatus	O	RC	O	RC
ifRcvAddressType	O	RC	O	RC
<b>Notification</b>				
<b>Notification</b>	<b>CM</b>	<b>Access</b>	<b>CMTS</b>	<b>Access</b>
linkUp	M		M	
linkDown	M		M	
<b>ifTestTable</b>				
<b>Objects</b>	<b>CM</b>	<b>Access</b>	<b>CMTS</b>	<b>Access</b>
ifTestId	O	RW	O	RW
ifTestStatus	O	RW	O	RW
ifTestType	O	RW	O	RW

ifTestResult	O	RO	O	RO
ifTestCode	O	RO	O	RO
ifTestOwner	O	RW	O	RW
<b>BRIDGE-MIB [RFC 1493]</b>				
NOTE: Implementation of BRIDGE MIB is required ONLY if device is a bridging device				
<b>dot1dBase group</b>				
<b>Objects</b>	<b>CM</b>	<b>Access</b>	<b>CMTS</b>	<b>Access</b>
dot1dBaseBridgeAddress	M	RO	M	RO
dot1dBaseNumPorts	M	RO	M	RO
dot1dBaseType	M	RO	M	RO
<b>dot1dBasePortTable</b>				
<b>Objects</b>	<b>CM</b>	<b>Access</b>	<b>CMTS</b>	<b>Access</b>
dot1dBasePort	M	RO	M	RO
dot1dBasePortIfIndex	M	RO	M	RO
dot1dBasePortCircuit	M	RO	M	RO
dot1dBasePortDelayExceededDiscards	M	RO	M	RO
dot1dBasePortMtuExceededDiscards	M	RO	M	RO
<b>dot1dStp group</b>				
NOTE: This group is required ONLY if STP is implemented				
<b>Objects</b>	<b>CM</b>	<b>Access</b>	<b>CMTS</b>	<b>Access</b>
dot1dStpProtocolSpecification	M	RO	M	RO
dot1dStpPriority	M	RW	M	RW
dot1dStpTimeSinceTopologyChange	M	RO	M	RO
dot1dStpTopChanges	M	RO	M	RO
dot1dStpDesignatedRoot	M	RO	M	RO
dot1dStpRootCost	M	RO	M	RO
dot1dStpRootPort	M	RO	M	RO
dot1dStpMaxAge	M	RO	M	RO
dot1dStpHelloTime	M	RO	M	RO
dot1dStpHoldTime	M	RO	M	RO
dot1dStpForwardDelay	M	RO	M	RO
dot1dStpBridgeMaxAge	M	RW	M	RW
dot1dStpBridgeHelloTime	M	RW	M	RW
dot1dStpBridgeForwardDelay	M	RW	M	RW
<b>dot1dStpPortTable</b>				
NOTE: This table is required ONLY if STP is implemented				
<b>Objects</b>	<b>CM</b>	<b>Access</b>	<b>CMTS</b>	<b>Access</b>

dot1dStpPort	M	RO	M	RO
dot1dStpPortPriority	M	RW	M	RW
dot1dStpPortState	M	RO	M	RO
dot1dStpPortEnable	M	RW	M	RW
dot1dStpPortPathCost	M	RW	M	RW
dot1dStpPortDesignatedRoot	M	RO	M	RO
dot1dStpPortDesignatedCost	M	RO	M	RO
dot1dStpPortDesignatedBridge	M	RO	M	RO
dot1dStpPortDesignatedPort	M	RO	M	RO
dot1dStpPortForwardTransitions	M	RO	M	RO
<b>dot1dTp group</b>				
Note: This group is required ONLY if transparent bridging is implemented.				
<b>Objects</b>	<b>CM</b>	<b>Access</b>	<b>CMTS</b>	<b>Access</b>
dot1dTpLearnedEntryDiscards	M	RO	M	RO
dot1dTpAgingTime	M	RW	M	RW
<b>dot1dTpFdbTable</b>				
<b>Objects</b>	<b>CM</b>	<b>Access</b>	<b>CMTS</b>	<b>Access</b>
dot1dTpFdbAddress	M	RO	M	RO
dot1dTpFdbPort	M	RO	M	RO
dot1dTpFdbStatus	M	RO	M	RO
<b>dot1dTpPortTable</b>				
<b>Objects</b>	<b>CM</b>	<b>Access</b>	<b>CMTS</b>	<b>Access</b>
dot1dTpPort	M	RO	M	RO
dot1dTpPortMaxInfo	M	RO	M	RO
dot1dTpPortInFrames	M	RO	M	RO
dot1dTpPortOutFrames	M	RO	M	RO
dot1dTpPortInDiscards	M	RO	M	RO
<b>dot1dStaticTable</b>				
Note: Implementation of dot1dStaticTable is OPTIONAL				
<b>Objects</b>	<b>CM</b>	<b>Access</b>	<b>CMTS</b>	<b>Access</b>
dot1dStaticAddress	O	RW	O	RW
dot1dStaticReceivePort	O	RW	O	RW
dot1dStaticAllowedToGoTo	O	RW	O	RW
dot1dStaticStatus	O	RW	O	RW
<b>DOCS-CABLE-DEVICE-MIB [RFC 2669]</b>				
<b>docsDevBaseGroup</b>				

<b>Objects</b>	<b>CM</b>	<b>Access</b>	<b>CMTS</b>	<b>Access</b>
docsDevRole	M	RO	O	RO
docsDevDateTime	M	RO/ RW	M	RW
docsDevResetNow	M	RW	O	RW
docsDevSerialNumber	M	RO	O	RO
docsDevSTPControl	M	RW/ RO	O	RW/RO
<b>docsDevNmAccessGroup</b>				
NOTE: docsDevNmAccessGroup is NOT accessible when the device is in SNMP Coexistence mode.				
<b>docsDevNmAccessTable</b>				
<b>Objects</b>	<b>CM</b>	<b>Access</b>	<b>CMTS</b>	<b>Access</b>
docsDevNmAccessIndex	M	N-Acc	O	N-Acc
docsDevNmAccessSlp	M	RC	O	RC
docsDevNmAccessIpMask	M	RC	O	RC
docsDevNmAccessCommunity	M	RC	O	RC
docsDevNmAccessControl	M	RC	O	RC
docsDevNmAccessInterfaces	M	RC	O	RC
docsDevNmAccessStatus	M	RC	O	RC
docsDevNmAccessTrapVersion (Note: This object is currently not in [RFC 2669])	M	RC	O	RC
<b>docsDevSoftwareGroup</b>				
<b>Objects</b>	<b>CM</b>	<b>Access</b>	<b>CMTS</b>	<b>Access</b>
docsDevSwServer	M	RW	O	RW
docsDevSwFilename	M	RW	O	RW
docsDevSwAdminStatus	M	RW	O	RW
docsDevSwOperStatus	M	RO	O	RO
docsDevSwCurrentVers	M	RO	O	RO
<b>docsDevServerGroup</b>				
<b>Objects</b>	<b>CM</b>	<b>Access</b>	<b>CMTS</b>	<b>Access</b>
docsDevServerBootState	M	RO	N-Sup	
docsDevServerDhcp	M	RO	N-Sup	
docsDevServerTime	M	RO	N-Sup	
docsDevServerTftp	M	RO	N-Sup	
docsDevServerConfigFile	M	RO	N-Sup	
<b>docsDevEventGroup</b>				
<b>Objects</b>	<b>CM</b>	<b>Access</b>	<b>CMTS</b>	<b>Access</b>
docsDevEvControl	M	RW	M	RW

docsDevEvSyslog	M	RW	M	RW
docsDevEvThrottleAdminStatus	M	RW	M	RW
docsDevEvThrottleInhibited	M	RO	M	RO
docsDevEvThrottleThreshold	M	RW	M	RW
docsDevEvThrottleInterval	M	RW	M	RW
<b>docsDevEvControlTable</b>				
<b>Objects</b>	<b>CM</b>	<b>Access</b>	<b>CMTS</b>	<b>Access</b>
docsDevEvPriority	M	N-Acc	M	N-Acc
docsDevEvReporting (Mandatory RW by DOCSIS 1.1 and DOCSIS 2.0; exception to [RFC 2669])	M	RW	M	RW
<b>docsDevEventTable</b>				
<b>Objects</b>	<b>CM</b>	<b>Access</b>	<b>CMTS</b>	<b>Access</b>
docsDevEvIndex	M	N-Acc	M	N-Acc
docsDevEvFirstTime	M	RO	M	RO
docsDevEvLastTime	M	RO	M	RO
docsDevEvCounts	M	RO	M	RO
docsDevEvLevel	M	RO	M	RO
docsDevEvId	M	RO	M	RO
docsDevEvText	M	RO	M	RO
<b>docsDevFilterGroup</b>				
<b>Objects</b>	<b>CM</b>	<b>Access</b>	<b>CMTS</b>	<b>Access</b>
docsDevFilterLLCUnmatchedAction	M	RW	O	RW
<b>docsDevFilterLLCTable</b>				
<b>Objects</b>	<b>CM</b>	<b>Access</b>	<b>CMTS</b>	<b>Access</b>
docsDevFilterLLCIndex	M	N-Acc	O	N-Acc
docsDevFilterLLCStatus	M	RC	O	RC
docsDevFilterLLCIfIndex	M	RC	O	RC
docsDevFilterLLCProtocolType	M	RC	O	RC
docsDevFilterLLCProtocol	M	RC	O	RC
docsDevFilterLLCMatches	M	RO	O	RO
<b>docsDevFilterIpTable</b>				
<b>Objects</b>	<b>CM</b>	<b>Access</b>	<b>CMTS</b>	<b>Access</b>
docsDevFilterIpDefault	M	RW	O	RW
<b>docsDevFilterIpTable</b>				
<b>Objects</b>	<b>CM</b>	<b>Access</b>	<b>CMTS</b>	<b>Access</b>
docsDevFilterIpIndex	M	N-Acc	O	N-Acc

docsDevFilterIpStatus	M	RC	O	RC
docsDevFilterIpControl	M	RC	O	RC
docsDevFilterIpPfIndex	M	RC	O	RC
docsDevFilterIpDirection	M	RC	O	RC
docsDevFilterIpBroadcast	M	RC	O	RC
docsDevFilterIpSaddr	M	RC	O	RC
docsDevFilterIpSmask	M	RC	O	RC
docsDevFilterIpDaddr	M	RC	O	RC
docsDevFilterIpDmask	M	RC	O	RC
docsDevFilterIpProtocol	M	RC	O	RC
docsDevFilterIpSourcePortLow	M	RC	O	RC
docsDevFilterIpSourcePortHigh	M	RC	O	RC
docsDevFilterIpDestPortLow	M	RC	O	RC
docsDevFilterIpDestPortHigh	M	RC	O	RC
docsDevFilterIpMatches	M	RO	O	RO
docsDevFilterIpTos	M	RC	O	RC
docsDevFilterIpTosMask	M	RC	O	RC
docsDevFilterIpContinue	M	RC	O	RC
docsDevFilterIpPolicyId	M	RC	O	RC
<b>docsDevFilterPolicyTable</b>				
<b>Objects</b>	<b>CM</b>	<b>Access</b>	<b>CMTS</b>	<b>Access</b>
docsDevFilterPolicyIndex	M	N-Acc	O	N-Acc
docsDevFilterPolicyId	M	RC	O	RC
docsDevFilterPolicyStatus	M	RC	O	RC
docsDevFilterPolicyPtr	M	RC	O	RC
<b>docsDevFilterTosTable</b>				
<b>Objects</b>	<b>CM</b>	<b>Access</b>	<b>CMTS</b>	<b>Access</b>
docsDevFilterTosIndex	M	N-Acc	O	N-Acc
docsDevFilterTosStatus	M	RC	O	RC
docsDevFilterTosAndMask	M	RC	O	RC
docsDevFilterTosOrMask	M	RC	O	RC
<b>docsDevCpeGroup</b>				
NOTE: CMs supporting the IP spoofing function MUST implement this group. CMs not supporting the IP spoofing filter MUST NOT implement this group.				
<b>Objects</b>	<b>CM</b>	<b>Access</b>	<b>CMTS</b>	<b>Access</b>
docsDevCpeEnroll	O	RW	N-Sup	
docsDevCpelpMax	O	RW	N-Sup	

<b>docsDevCpeTable</b>				
<b>Objects</b>	<b>CM</b>	<b>Access</b>	<b>CMTS</b>	<b>Access</b>
docsDevCpelp	O	N-Acc	N-Sup	
docsDevCpeSource	O	RO	N-Sup	
docsDevCpeStatus	O	RC	N-Sup	
<b>IP-MIB [RFC 2011]</b>				
<b>IP Group</b>				
<b>Objects</b>	<b>CM</b>	<b>Access</b>	<b>CMTS</b>	<b>Access</b>
ipForwarding	M	RW	M	RW
ipDefaultTTL	M	RW	M	RW
ipInreceives	M	RO	M	RO
ipInHdrErrors	M	RO	M	RO
ipInAddrErrors	M	RO	M	RO
ipForwDatagrams	M	RO	M	RO
ipInUnknownProtos	M	RO	M	RO
ipInDiscards	M	RO	M	RO
ipInDelivers	M	RO	M	RO
ipOutRequests	M	RO	M	RO
ipOutDiscards	M	RO	M	RO
ipOutNoRoutes	M	RO	M	RO
ipReasmTimeout	M	RO	M	RO
ipReasmReqds	M	RO	M	RO
ipReasmOKs	M	RO	M	RO
ipReasmFails	M	RO	M	RO
ipFragOKs	M	RO	M	RO
ipFragFails	M	RO	M	RO
ipFragCreates	M	RO	M	RO
<b>ipAddrTable</b>				
<b>Objects</b>	<b>CM</b>	<b>Access</b>	<b>CMTS</b>	<b>Access</b>
ipAdEntAddr	M	RO	M	RO
ipAdEntIfIndex	M	RO	M	RO
ipAdEntNetMask	M	RO	M	RO
ipAdEntBcastAddr	M	RO	M	RO
ipAdEntReasmMaxSize	M	RO	M	RO
<b>ipNetToMediaTable</b>				
<b>Objects</b>	<b>CM</b>	<b>Access</b>	<b>CMTS</b>	<b>Access</b>
ipNetToMediaIfIndex	M	RC/RO	M	RC/RO

ipNetToMediaPhysAddress	M	RC/RO	M	RC/RO
ipNetToMediaNetAddress	M	RC/RO	M	RC/RO
ipNetToMediaType	M	RC/RO	M	RC/RO
<b>Object</b>				
	<b>CM</b>	<b>Access</b>	<b>CMTS</b>	<b>Access</b>
ipRoutingDiscards	M	RO	M	RO
<b>ICMP Group</b>				
	<b>CM</b>	<b>Access</b>	<b>CMTS</b>	<b>Access</b>
icmpInMsgs	M	RO	M	RO
icmpInErrors	M	RO	M	RO
icmpInDestUnreachs	M	RO	M	RO
icmpInTimeExcds	M	RO	M	RO
icmpInParmProbs	M	RO	M	RO
icmpInSrcQuenchs	M	RO	M	RO
icmpInRedirects	M	RO	M	RO
icmpInEchos	M	RO	M	RO
icmpInEchosReps	M	RO	M	RO
icmpInTimestamps	M	RO	M	RO
icmpInTimeStampsReps	M	RO	M	RO
icmpInAddrMasks	M	RO	M	RO
icmpInAddrMaskReps	M	RO	M	RO
icmpOutMsgs	M	RO	M	RO
icmpOutErrors	M	RO	M	RO
icmpOutDestUnreachs	M	RO	M	RO
icmpOutTimeExcds	M	RO	M	RO
icmpOutParmProbs	M	RO	M	RO
icmpOutSrcQuenchs	M	RO	M	RO
icmpOutRedirects	M	RO	M	RO
icmpOutEchos	M	RO	M	RO
icmpOutEchoReps	M	RO	M	RO
icmpOutTimestamps	M	RO	M	RO
icmpOutTimestampReps	M	RO	M	RO
icmpOutAddrMasks	M	RO	M	RO
icmpOutAddrMaskReps	M	RO	M	RO
<b>UDP-MIB [RFC 2013]</b>				
<b>UDP Group</b>				
	<b>CM</b>	<b>Access</b>	<b>CMTS</b>	<b>Access</b>
udpInDatagrams	M	RO	M	RO

udpNoPorts	M	RO	M	RO
udpInErrors	M	RO	M	RO
udpOutDatagrams	M	RO	M	RO
<b>UDP Listener Table</b>				
<b>Objects</b>	<b>CM</b>	<b>Access</b>	<b>CMTS</b>	<b>Access</b>
udpLocalAddress	M	RO	M	RO
udpLocalPort	M	RO	M	RO
<b>SNMPv2-MIB [RFC 3418]</b>				
<b>System Group</b>				
<b>Objects</b>	<b>CM</b>	<b>Access</b>	<b>CMTS</b>	<b>Access</b>
sysDescr	M	RO	M	RO
sysObjectID	M	RO	M	RO
sysUpTime	M	RO	M	RO
sysContact	M	RW	M	RW
sysName	M	RW	M	RW
sysLocation	M	RW	M	RW
sysServices	M	RO	M	RO
sysORLastChange	M	RO	M	RO
<b>sysORTable</b>				
<b>Object</b>	<b>CM</b>	<b>Access</b>	<b>CMTS</b>	<b>Access</b>
sysORIndex	M	N-Acc	M	N-Acc
sysORID	M	RO	M	RO
sysORDescr	M	RO	M	RO
sysORUpTime	M	RO	M	RO
<b>SNMP Group</b>				
<b>Objects</b>	<b>CM</b>	<b>Access</b>	<b>CMTS</b>	<b>Access</b>
snmpInPkts	M	RO	M	RO
snmpInBadVersions	M	RO	M	RO
snmpOutPkts	Ob	RO	Ob	RO
snmpInBadCommunityNames	M	RO	M	RO
snmpInBadCommunityUses	M	RO	M	RO
snmpInASNParseErrs	M	RO	M	RO
snmpInTooBig	Ob	RO	Ob	RO
snmpInNoSuchNames	Ob	RO	Ob	RO
snmpInBadValues	Ob	RO	Ob	RO
snmpInReadOnlys	Ob	RO	Ob	RO
snmpInGenErrs	Ob	RO	Ob	RO

snmpInTotalReqVars	Ob	RO	Ob	RO
snmpInTotalSetVars	Ob	RO	Ob	RO
snmpInGetRequests	Ob	RO	Ob	RO
snmpInGetNexts	Ob	RO	Ob	RO
snmpInSetRequests	Ob	RO	Ob	RO
snmpInGetResponses	Ob	RO	Ob	RO
snmpInTraps	Ob	RO	Ob	RO
snmpOutTooBigs	Ob	RO	Ob	RO
snmpOutNoSuchNames	Ob	RO	Ob	RO
snmpOutBadValues	Ob	RO	Ob	RO
snmpOutGenErrs	Ob	RO	Ob	RO
snmpOutGetRequests	Ob	RO	Ob	RO
snmpOutGetNexts	Ob	RO	Ob	RO
snmpOutSetRequests	Ob	RO	Ob	RO
snmpOutGetResponses	Ob	RO	Ob	RO
snmpOutTraps	Ob	RO	Ob	RO
snmpEnableAuthenTraps	M	RW	M	RW
snmpSilentDrops	M	RO	M	RO
snmpProxyDrops	M	RO	M	RO
<b>snmpSet Group</b>				
<b>Object</b>	<b>CM</b>	<b>Access</b>	<b>CMTS</b>	<b>Access</b>
snmpSetSerialNo	M	RW	M	RW
<b>Etherlike-MIB [RFC 2665]</b>				
<b>dot3StatsTable</b>				
<b>Objects</b>	<b>CM</b>	<b>Access</b>	<b>CMTS</b>	<b>Access</b>
dot3StatsIndex	M	RO	M	RO
dot3StatsAlignmentErrors	M	RO	M	RO
dot3StatsFCSErrors	M	RO	M	RO
dot3StatsSingleCollisionFrames	M	RO	M	RO
dot3StatsMultipleCollisionFrames	M	RO	M	RO
dot3StatsSQETestErrors	O	RO	O	RO
dot3StatsDeferredTransmissions	M	RO	M	RO
dot3StatsLateCollisions	M	RO	M	RO
dot3StatsExcessiveCollisions	M	RO	M	RO
dot3StatsInternalMacTransmitErrors	M	RO	M	RO
dot3StatsCarrierSenseErrors	O	RO	O	RO
dot3StatsFrameTooLongs	M	RO	M	RO
dot3StatsInternalMacReceiveErrors	M	RO	M	RO
dot3StatsEtherChipSet	D	RO	D	RO
dot3StatsSymbolErrors	M	RO	M	RO

dot3StatsDuplexStatus	M	RO	M	RO
<b>dot3CollTable</b>				
<b>Objects</b>	<b>CM</b>	<b>Access</b>	<b>CMTS</b>	<b>Access</b>
dot3CollCount	O	NA	O	NA
dot3CollFrequencies	O	RO	O	RO
<b>dot3ControlTable</b>				
<b>Objects</b>	<b>CM</b>	<b>Access</b>	<b>CMTS</b>	<b>Access</b>
dot3ControlFunctionsSupported	O	RO	O	RO
dot3ControlInUnknownOpcodes	O	RO	O	RO
<b>dot3PauseTable</b>				
<b>Objects</b>	<b>CM</b>	<b>Access</b>	<b>CMTS</b>	<b>Access</b>
dot3PauseAdminMode	O	RW	O	RW
dot3PauseOperMode	O	RO	O	RO
dot3InPauseFrames	O	RO	O	RO
dot3OutPauseFrames	O	RO	O	RO
<b>USB MIB</b>				
NOTE: This MIB is required for CMs that support USB only.				
<b>Object</b>	<b>CM</b>	<b>Access</b>	<b>CMTS</b>	<b>Access</b>
usbNumber	M	RO	NA	
<b>usbPortTable</b>				
<b>Object</b>	<b>CM</b>	<b>Access</b>	<b>CMTS</b>	<b>Access</b>
usbPortIndex	M	RO	NA	
usbPortType	M	RO	NA	
usbPortRate	M	RO	NA	
<b>usbDeviceTable</b>				
<b>Object</b>	<b>CM</b>	<b>Access</b>	<b>CMTS</b>	<b>Access</b>
usbDeviceIndex	M	RO	NA	
usbDevicePower	M	RO	NA	
usbDeviceVendorID	M	RO	NA	
usbDeviceProductID	M	RO	NA	
usbDeviceNumberConfigurations	M	RO	NA	
usbDeviceActiveClass	M	RO	NA	
usbDeviceStatus	M	RO	NA	
usbDeviceEnumCounter	M	RO	NA	
usbDeviceRemoteWakeup	M	RO	NA	
usbDeviceRemoteWakeupOn	M	RO	NA	

<b>usbCDCTable</b>						
<b>Object</b>	<b>CM</b>	<b>Access</b>	<b>CMTS</b>	<b>Access</b>		
usbCDCIndex	M	RO	NA			
usbCDCIfIndex	M	RO	NA			
usbCDCSubclass	M	RO	NA			
usbCDCVersion	M	RO	NA			
usbCDCDataTransferType	M	RO	NA			
usbCDCDataEndpoints	M	RO	NA			
usbCDCStalls	M	RO	NA			
<b>usbCDCEtherTable</b>						
<b>Object</b>	<b>CM</b>	<b>Access</b>	<b>CMTS</b>	<b>Access</b>		
usbCDCEtherIndex	M	RO	NA			
usbCDCEtherIfIndex	M	RO	NA			
usbCDCEtherMacAddress	M	RO	NA			
usbCDCEtherPacketFilter	M	RO	NA			
usbCDCEtherDataStatisticsCapabilities	M	RO	NA			
usbCDCEtherDataCheckErrs	M	RO	NA			
<b>DOCS-QOS-MIB (Annex J)</b>						
NOTE: 2.0 CMs in 1.0 mode MUST NOT support this MIB.						
<b>docsQosPktClassTable</b>						
<b>Object</b>	<b>2.0 CM in 1.1 mode</b>	<b>Access</b>	<b>2.0 CM in 2.0 mode</b>	<b>Access</b>	<b>CMTS</b>	<b>Access</b>
docsQosPktClassId	M	N-Acc	M	N-Acc	M	N-Acc
docsQosPktClassDirection	M	RO	M	RO	M	RO
docsQosPktClassPriority	M	RO	M	RO	M	RO
docsQosPktClassIpTosLow	M	RO	M	RO	M	RO
docsQosPktClassIpTosHigh	M	RO	M	RO	M	RO
docsQosPktClassIpTosMask	M	RO	M	RO	M	RO
docsQosPktClassIpProtocol	M	RO	M	RO	M	RO
docsQosPktClassIpSourceAddr	M	RO	M	RO	M	RO
docsQosPktClassIpSourceMask	M	RO	M	RO	M	RO
docsQosPktClassIpDestAddr	M	RO	M	RO	M	RO
docsQosPktClassIpDestMask	M	RO	M	RO	M	RO
docsQosPktClassSourcePortStart	M	RO	M	RO	M	RO
docsQosPktClassSourcePortEnd	M	RO	M	RO	M	RO
docsQosPktClassDestPortStart	M	RO	M	RO	M	RO
docsQosPktClassDestPortEnd	M	RO	M	RO	M	RO
docsQosPktClassDestMacAddr	M	RO	M	RO	M	RO

docsQosPktClassDestMacMask	M	RO	M	RO	M	RO
docsQosPktClassSourceMacAddr	M	RO	M	RO	M	RO
docsQosPktClassEnetProtocolType	M	RO	M	RO	M	RO
docsQosPktClassEnetProtocol	M	RO	M	RO	M	RO
docsQosPktClassUserPriLow	M	RO	M	RO	M	RO
docsQosPktClassUserPriHigh	M	RO	M	RO	M	RO
docsQosPktClassVlanId	M	RO	M	RO	M	RO
docsQosPktClassState	M	RO	M	RO	M	RO
docsQosPktClassPkts	M	RO	M	RO	M	RO
docsQosPktClassBitMap	M	RO	M	RO	M	RO
<b>docsQosParamSetTable</b>						
<b>Object</b>	<b>2.0 CM in 1.1 mode</b>	<b>Access</b>	<b>2.0 CM in 2.0 mode</b>	<b>Access</b>	<b>CMTS</b>	<b>Access</b>
docsQosParamSetServiceClassName	M	RO	M	RO	M	RO
docsQosParamSetPriority	M	RO	M	RO	M	RO
docsQosParamSetMaxTrafficRate	M	RO	M	RO	M	RO
docsQosParamSetMaxTrafficBurst	M	RO	M	RO	M	RO
docsQosParamSetMinReservedRate	M	RO	M	RO	M	RO
docsQosParamSetMinReservedPkt	M	RO	M	RO	M	RO
docsQosParamSetActiveTimeout	M	RO	M	RO	M	RO
docsQosParamSetAdmittedTimeout	M	RO	M	RO	M	RO
docsQosParamSetMaxConcatBurst	M	RO	M	RO	M	RO
docsQosParamSetSchedulingType	M	RO	M	RO	M	RO
docsQosParamSetNomPollInterval	M	RO	M	RO	M	RO
docsQosParamSetTolPollJitter	M	RO	M	RO	M	RO
docsQosParamSetUnsolicitGrantSize	M	RO	M	RO	M	RO
docsQosParamSetNomGrantInterval	M	RO	M	RO	M	RO
docsQosParamSetTolGrantJitter	M	RO	M	RO	M	RO
docsQosParamSetGrantsPerInterval	M	RO	M	RO	M	RO
docsQosParamSetTosAndMask	M	RO	M	RO	M	RO
docsQosParamSetTosOrMask	M	RO	M	RO	M	RO
docsQosParamSetMaxLatency	M	RO	M	RO	M	RO
docsQosParamSetType	M	NA	M	NA	M	NA
docsQosParamSetRequestPolicyOct	M	RO	M	RO	M	RO
docsQosParamSetBitMap	M	RO	M	RO	M	RO
<b>docsQosServiceFlowTable</b>						
<b>Object</b>	<b>2.0 CM in 1.1 mode</b>	<b>Access</b>	<b>2.0 CM in 2.0 mode</b>	<b>Access</b>	<b>CMTS</b>	<b>Access</b>
docsQosServiceFlowId	M	N-Acc	M	N-Acc	M	N-Acc

docsQosServiceFlowSID	M	RO	M	RO	M	RO
docsQosServiceFlowDirection	M	RO	M	RO	M	RO
docsQosServiceFlowPrimary	M	RO	M	RO	M	RO
<b>docsQosServiceFlowStatsTable</b>						
<b>Object</b>	<b>2.0 CMin 1.1 mode</b>	<b>Access</b>	<b>2.0 CMin 2.0 mode</b>	<b>Access</b>	<b>CMTS</b>	<b>Access</b>
docsQosServiceFlowPkts	M	RO	M	RO	M	RO
docsQosServiceFlowOctets	M	RO	M	RO	M	RO
docsQosServiceFlowTimeCreated	M	RO	M	RO	M	RO
docsQosServiceFlowTimeActive	M	RO	M	RO	M	RO
docsQosServiceFlowPHSUnknowns	M	RO	M	RO	M	RO
docsQosServiceFlowPolicedDropPkts	M	RO	M	RO	M	RO
docsQosServiceFlowPolicedDelayPkts	M	RO	M	RO	M	RO
<b>docsQosUpstreamStatsTable</b>						
<b>Object</b>	<b>2.0 CMin 1.1 mode</b>	<b>Access</b>	<b>2.0 CMin 2.0 mode</b>	<b>Access</b>	<b>CMTS</b>	<b>Access</b>
docsQosSID	N-Sup		N-Sup		M	N-Acc
docsQosUpstreamFragments	N-Sup		N-Sup		M	RO
docsQosUpstreamFragDiscards	N-Sup		N-Sup		M	RO
docsQosUpstreamConcatBursts	N-Sup		N-Sup		M	RO
<b>docsQosDynamicServiceStatsTable</b>						
<b>Object</b>	<b>2.0 CMin 1.1 mode</b>	<b>Access</b>	<b>2.0 CMin 2.0 mode</b>	<b>Access</b>	<b>CMTS</b>	<b>Access</b>
docsQosIfDirection	M	N-Acc	M	N-Acc	M	N-Acc
docsQosDSAReqs	M	RO	M	RO	M	RO
docsQosDSARsps	M	RO	M	RO	M	RO
docsQosDSAACKs	M	RO	M	RO	M	RO
docsQosDSCReq	M	RO	M	RO	M	RO
docsQosDSCRsps	M	RO	M	RO	M	RO
docsQosDSCACKs	M	RO	M	RO	M	RO
docsQosDSDReq	M	RO	M	RO	M	RO
docsQosDSDRsps	M	RO	M	RO	M	RO
docsQosDynamicAdd	M	RO	M	RO	M	RO

docsQosDynamicAddFails	M	RO	M	RO	M	RO
docsQosDynamicChanges	M	RO	M	RO	M	RO
docsQosDynamicChangeFails	M	RO	M	RO	M	RO
docsQosDynamicDeletes	M	RO	M	RO	M	RO
docsQosDynamicDeleteFails	M	RO	M	RO	M	RO
docsQosDCCRreqs	M	RO	M	RO	M	RO
docsQosDCCRspSps	M	RO	M	RO	M	RO
docsQosDCCAcks	M	RO	M	RO	M	RO
docsQosDCCs	M	RO	M	RO	M	RO
docsQosDCCFails	M	RO	M	RO	M	RO
DocsQosDCCRspDeparts	M	RO	M	RO	M	RO
DocsQosDCCRspArrives	M	RO	M	RO	M	RO
<b>docsQosServiceFlowLogTable</b>						
<b>Object</b>	<b>2.0 CM in 1.1 mode</b>	<b>Access</b>	<b>2.0 CM in 2.0 mode</b>	<b>Access</b>	<b>CMTS</b>	<b>Access</b>
docsQosServiceFlowLogIndex	N-Sup		N-Sup		M	N-Acc
docsQosServiceFlowLogIfIndex	N-Sup		N-Sup		M	RO
docsQosServiceFlowLogSFID	N-Sup		N-Sup		M	RO
docsQosServiceFlowLogCmMac	N-Sup		N-Sup		M	RO
docsQosServiceFlowLogPkts	N-Sup		N-Sup		M	RO
docsQosServiceFlowLogOctets	N-Sup		N-Sup		M	RO
docsQosServiceFlowLogTimeDeleted	N-Sup		N-Sup		M	RO
docsQosServiceFlowLogTimeCreated	N-Sup		N-Sup		M	RO
docsQosServiceFlowLogTimeActive	N-Sup		N-Sup		M	RO
docsQosServiceFlowLogDirection	N-Sup		N-Sup		M	RO
docsQosServiceFlowLogPrimary	N-Sup		N-Sup		M	RO
docsQosServiceFlowLogServiceClassName	N-Sup		N-Sup		M	RO
docsQosServiceFlowLogPolicedDropPkts	N-Sup		N-Sup		M	RO
docsQosServiceFlowLogPolicedDelayPkts	N-Sup		N-Sup		M	RO
docsQosServiceFlowLogControl	N-Sup		N-Sup		M	RW

<b>docsQosServiceClassTable</b>						
<b>Object</b>	<b>2.0 CMin 1.1 mode</b>	<b>Access</b>	<b>2.0 CMin 2.0 mode</b>	<b>Access</b>	<b>CMTS</b>	<b>Access</b>
docsQosServiceClassName	N-Sup		N-Sup		M	N-Acc
docsQosServiceClassStatus	N-Sup		N-Sup		M	RC
docsQosServiceClassPriority	N-Sup		N-Sup		M	RC
docsQosServiceClassMaxTrafficRate	N-Sup		N-Sup		M	RC
docsQosServiceClassMaxTrafficBurst	N-Sup		N-Sup		M	RC
docsQosServiceClassMinReservedRate	N-Sup		N-Sup		M	RC
docsQosServiceClassMinReservedPkt	N-Sup		N-Sup		M	RC
docsQosServiceClassMaxConcatBurst	N-Sup		N-Sup		M	RC
docsQosServiceClassNomPollInterval	N-Sup		N-Sup		M	RC
docsQosServiceClassTolPollJitter	N-Sup		N-Sup		M	RC
docsQosServiceClassUnsolicitGrantSize	N-Sup		N-Sup		M	RC
docsQosServiceClassNomGrantInterval	N-Sup		N-Sup		M	RC
docsQosServiceClassTolGrantJitter	N-Sup		N-Sup		M	RC
docsQosServiceClassGrantsPerInterval	N-Sup		N-Sup		M	RC
docsQosServiceClassMaxLatency	N-Sup		N-Sup		M	RC
docsQosServiceClassActiveTimeout	N-Sup		N-Sup		M	RC
docsQosServiceClassAdmittedTimeout	N-Sup		N-Sup		M	RC
docsQosServiceClassSchedulingTime	N-Sup		N-Sup		M	RC
docsQosServiceClassRequestPolicy	N-Sup		N-Sup		M	RC
docsQosServiceClassTosAndMask	N-Sup		N-Sup		M	RC
docsQosServiceClassTosOrMask	N-Sup		N-Sup		M	RC
docsQosServiceClassDirection	N-Sup		N-Sup		M	RC

<b>docsQosServiceClassPolicyTable</b>						
<b>Object</b>	<b>2.0 CM in 1.1 mode</b>	<b>Access</b>	<b>2.0 CM in 2.0 mode</b>	<b>Access</b>	<b>CMTS</b>	<b>Access</b>
docsQosServiceClassPolicyIndex	O	N-Acc	O	N-Acc	O	N-Acc
docsQosServiceClassPolicyName	O	RC	O	RC	O	RC
docsQosServiceClassPolicyRulePriority	O	RC	O	RC	O	RC
docsQosServiceClassPolicyStatus	O	RC	O	RC	O	RC
<b>docsQosPHSTable</b>						
<b>Object</b>	<b>2.0 CM in 1.1 mode</b>	<b>Access</b>	<b>2.0 CM in 2.0 mode</b>	<b>Access</b>	<b>CMTS</b>	<b>Access</b>
docsQosPHSField	M	RO	M	RO	O	RO
docsQosPHSMask	M	RO	M	RO	O	RO
docsQosPHSSize	M	RO	M	RO	O	RO
docsQosPHSVerify	M	RO	M	RO	O	RO
docsQosPHSIndex	M	RO	M	RO	O	RO
<b>docsQosCmtsMacToSrvFlowTable</b>						
<b>Object</b>	<b>2.0 CM in 1.1 mode</b>	<b>Access</b>	<b>2.0 CM in 2.0 mode</b>	<b>Access</b>	<b>CMTS</b>	<b>Access</b>
docsQosCmtsCmMac	N-Sup		N-Sup		M	N-Acc
docsQosCmtsServiceFlowId	N-Sup		N-Sup		M	N-Acc
docsQosCmtsIfIndex	N-Sup		N-Sup		M	RO
<b>DOCS-SUBMGT-MIB (draft-ietf-ipcdn-subscriber-mib-02.txt) Subscriber Management MIB</b>						
<b>docsSubMgtCpeControlTable</b>						
<b>Object</b>	<b>CM</b>	<b>Access</b>	<b>CMTS</b>	<b>Access</b>		
docsSubMgtCpeControlMaxCpeIp	NA	NA	M	RW		
docsSubMgtCpeControlActive	NA	NA	M	RW		
docsSubMgtCpeControlLearnable	NA	NA	M	RW		
docsSubMgtCpeControlReset	NA	NA	M	RW		
docsSubMgtCpeMaxIpDefault	NA	NA	M	RW		
docsSubMgtCpeActiveDefault	NA	NA	M	RW		

<b>docsSubMgtCpelpTable</b>				
<b>Object</b>	<b>CM</b>	<b>Access</b>	<b>CMTS</b>	<b>Access</b>
docsSubMgtCpelpIndex	NA	NA	M	N-Acc
docsSubMgtCpelpAddr	NA	NA	M	RO
docsSubMgtCpelpLearned	NA	NA	M	RO
<b>docsSubMgtPktFilterTable</b>				
<b>Object</b>	<b>CM</b>	<b>Access</b>	<b>CMTS</b>	<b>Access</b>
docsSubMgtPktFilterGroup	NA	NA	M	N-Acc
docsSubMgtPktFilterIndex	NA	NA	M	N-Acc
docsSubMgtPktFilterSrcAddr	NA	NA	M	RC
docsSubMgtPktFilterSrcMask	NA	NA	M	RC
docsSubMgtPktFilterDstAddr	NA	NA	M	RC
docsSubMgtPktFilterDstMask	NA	NA	M	RC
docsSubMgtPktFilterUlp	NA	NA	M	RC
docsSubMgtPktFilterTosValue	NA	NA	M	RC
docsSubMgtPktFilterTosMask	NA	NA	M	RC
docsSubMgtPktFilterAction	NA	NA	M	RC
docsSubMgtPktFilterMatches	NA	NA	M	RO
docsSubMgtPktFilterStatus	NA	NA	M	RC
<b>docsSubMgtTcpUdpFilterTable</b>				
<b>Object</b>	<b>CM</b>	<b>Access</b>	<b>CMTS</b>	<b>Access</b>
docsSubMgtTcpUdpSrcPort	NA	NA	M	RC
docsSubMgtTcpUdpDstPort	NA	NA	M	RC
docsSubMgtTcpFlagValues	NA	NA	M	RC
docsSubMgtTcpFlagMask	NA	NA	M	RC
docsSubMgtTcpUdpStatus	NA	NA	M	RC
<b>docsSubMgtCmFilterTable</b>				
<b>Object</b>	<b>CM</b>	<b>Access</b>	<b>CMTS</b>	<b>Access</b>
docsSubMgtSubFilterDownstream	NA	NA	M	RW
docsSubMgtSubFilterUpstream	NA	NA	M	NW
docsSubMgtCmFilterDownstream	NA	NA	M	RW
docsSubMgtCmFilterUpstream	NA	NA	M	RW
<b>Objects</b>				
<b>Objects</b>	<b>CM</b>	<b>Access</b>	<b>CMTS</b>	<b>Access</b>

docsSubMgtSubFilterDownDefault	NA	NA	M	RW				
docsSubMgtSubFilterUpDefault	NA	NA	M	RW				
docsSubMgtCmFilterDownDefault	NA	NA	M	RW				
docsSubMgtCmFilterUpDefault	NA	NA	M	RW				
<b>IGMP-STD-MIB [RFC 2933]</b>								
This MIB is optional for Bridging CMTSes.								
NOTE: 2.0 CMs in 1.0 mode are not required to implement [RFC 2933].								
<b>IgmpInterfaceTable</b>								
Object	2.0 CM in 1.0 mode	Access	2.0 CM in 1.1 mode	Access	2.0 CM in 2.0 mode	Access	CMTS	Access
igmpInterfaceIfIndex	O	N-Acc	M	N-Acc	M	N-Acc	M	N-Acc
igmpInterfaceQueryInterval	O	RC	M	RC	M	RC	M	RC
igmpInterfaceStatus	O	RC	M	RC	M	RC	M	RC
igmpInterfaceVersion	O	RC	M	RC	M	RC	M	RC
igmpInterfaceQuerier	O	RO	M	RO	M	RO	M	RO
igmpInterfaceQueryMaxResponseTime	O	RO	M	RO	M	RO	M	RO
igmpInterfaceVersion1QuerierTimer	O	RO	M	RO	M	RO	M	RO
igmpInterfaceWrongVersionQueries	O	RO	M	RO	M	RO	M	RO
igmpInterfaceJoins	O	RO	M	RO	M	RO	M	RO
IgmpInterfaceGroups	O	RO	M	RO	M	RO	M	RO
igmpInterfaceRobustness	O	RC	M	RC	M	RC	M	RC
igmpInterfaceLastMembQueryIntvl	O	RC	M	RC	M	RC	M	RC
igmpInterfaceProxyIfIndex	O	RC	M	RC	M	RC	M	RC
igmpInterfaceQuerierUpTime	O	RO	M	RO	M	RO	M	RO
igmpInterfaceQuerierExpiryTime	O	RO	M	RO	M	RO	M	RO
<b>igmpCacheTable</b>								
Object	2.0 CM in 1.0 mode	Access	2.0 CM in 1.1 mode	Access	2.0 CM in 2.0 mode	Access	CMTS	Access
igmpCacheAddress	O	N-Acc	M	N-Acc	M	N-Acc	M	N-Acc
igmpCacheIfIndex	O	N-Acc	M	N-Acc	M	N-Acc	M	N-Acc
IgmpCacheSelf	O	RC	M	RC	M	RC	M	RC
igmpCacheLastReporter	O	RO	M	RO	M	RO	M	RO
igmpCacheUpTime	O	RO	M	RO	M	RO	M	RO
igmpCacheExpiryTime	O	RO	M	RO	M	RO	M	RO
igmpCacheStatus	O	RC	M	RC	M	RC	M	RC
igmpCacheVersion1HostTimer	O	RO	M	RO	M	RO	M	RO

Account Management MIB (MIB defining work is still in progress.)								
<b>docsCpeSegmentTable</b>								
<b>Object</b>	<b>CM</b>	<b>Access</b>	<b>CMTS</b>	<b>Access</b>				
docsCpeSegmentID	NA	NA	O	RO				
docsCpeSegmentIp	NA	NA	O	RC				
<b>docsCpeTrafficData Table</b>								
<b>Objects</b>	<b>CM</b>	<b>Access</b>	<b>CMTS</b>	<b>Access</b>				
docsCpelpAddress	NA	NA	O	RO				
docsCpeTrafficDataUpStreamPackets	NA	NA	O	RC				
docsCpeTrafficDataDownStreamPackets	NA	NA	O	RC				
docsCpeTrafficDataUpStreamOctets	NA	NA	O	RC				
docsCpeTrafficDataDownStreamOctets	NA	NA	O	RC				
docsCpeTrafficDataUpStreamDropPackets	NA	NA	O	RC				
docsCpeTrafficDataDownStreamDropPackets	NA	NA	O	RC				
<b>docsCmCpeTable</b>	<b>CM</b>	<b>Access</b>	<b>CMTS</b>	<b>Access</b>				
docsCmMacAddress	NA	NA	O	RC				
docsCmIpAddress	NA	NA	O	RC				
docsCpeMACAddress	NA	NA	O	RC				
docsCpelpAddress	NA	NA	O	RC				
<b>DOCS-BPI-MIB [RFC 3083]</b>								
<b>docsBpiCmBaseTable</b>								
<b>Object</b>	<b>2.0 CM in 1.0 mode</b>	<b>Access</b>	<b>2.0 CM in 1.1 mode</b>	<b>Access</b>	<b>2.0 CM in 2.0 mode</b>	<b>Access</b>	<b>CMTS</b>	<b>Access</b>
docsBpiCmPrivacyEnable	M	RO	N-Sup		N-Sup		NA	
docsBpiCmPublicKey	M	RO	N-Sup		N-Sup		NA	
docsBpiCmAuthState	M	RO	N-Sup		N-Sup		NA	
docsBpiCmAuthKeySequenceNumber	M	RO	N-Sup		N-Sup		NA	
docsBpiCmAuthExpires	M	RO	N-Sup		N-Sup		NA	
docsBpiCmAuthReset	M	RW	N-Sup		N-Sup		NA	
docsBpiCmAuthGraceTime	M	RO	N-Sup		N-Sup		NA	

docsBpiCmTEKGraceTime	M	RO	N-Sup		N-Sup		NA	
docsBpiCmAuthWaitTimeout	M	RO	N-Sup		N-Sup		NA	
docsBpiCmReauthWaitTimeout	M	RO	N-Sup		N-Sup		NA	
docsBpiCmOpWaitTimeout	M	RO	N-Sup		N-Sup		NA	
docsBpiCmRekeyWaitTimeout	M	RO	N-Sup		N-Sup		NA	
docsBpiCmAuthRejectWaitTimeout	M	RO	N-Sup		N-Sup		NA	
docsBpiCmAuthRequests	M	RO	N-Sup		N-Sup		NA	
docsBpiCmAuthReplies	M	RO	N-Sup		N-Sup		NA	
docsBpiCmAuthRejects	M	RO	N-Sup		N-Sup		NA	
docsBpiCmAuthInvalids	M	RO	N-Sup		N-Sup		NA	
docsBpiCmAuthRejectErrorCode	M	RO	N-Sup		N-Sup		NA	
docsBpiCmAuthRejectErrorString	M	RO	N-Sup		N-Sup		NA	
docsBpiCmAuthInvalidErrorCode	M	RO	N-Sup		N-Sup		NA	
docsBpiCmAuthInvalidErrorString	M	RO	N-Sup		N-Sup		NA	
<b>docsBpiCmTEKTable</b>								
<b>Object</b>	<b>2.0 CM in 1.0 mode</b>	<b>Access</b>	<b>2.0 CM in 1.1 mode</b>	<b>Access</b>	<b>2.0 CM in 2.0 mode</b>	<b>Access</b>	<b>CMTS</b>	<b>Access</b>
docsBpiCmTEKPrivacyEnable	M	RO	N-Sup		N-Sup		NA	
docsBpiCmTEKState	M	RO	N-Sup		N-Sup		NA	
docsBpiCmTEKExpiresOld	M	RO	N-Sup		N-Sup		NA	
docsBpiCmTEKExpiresNew	M	RO	N-Sup		N-Sup		NA	
docsBpiCmTEKKeyRequests	M	RO	N-Sup		N-Sup		NA	
docsBpiCmTEKKeyReplies	M	RO	N-Sup		N-Sup		NA	
docsBpiCmTEKKeyRejects	M	RO	N-Sup		N-Sup		NA	
docsBpiCmTEKInvalids	M	RO	N-Sup		N-Sup		NA	

docsBpiCmTEKAuthPends	M	RO	N-Sup		N-Sup		NA	
docsBpiCmTEKKeyRejectErrorCode	M	RO	N-Sup		N-Sup		NA	
docsBpiCmTEKKeyRejectErrorString	M	RO	N-Sup		N-Sup		NA	
docsBpiCmTEKInvalidErrorCode	M	RO	N-Sup		N-Sup		NA	
docsBpiCmTEKInvalidErrorString	M	RO	N-Sup		N-Sup		NA	
<b>docsBpiCmtsBaseTable</b>								
<b>Object</b>	<b>2.0 CMin 1.0 mode</b>	<b>Access</b>	<b>2.0 CMin 1.1 mode</b>	<b>Access</b>	<b>2.0 CMin 2.0 mode</b>	<b>Access</b>	<b>CMTS</b>	<b>Access</b>
docsBpiCmtsDefaultAuthLifetime	NA		NA		NA		N-Sup	
docsBpiCmtsDefaultTEKLifetime	NA		NA		NA		N-Sup	
docsBpiCmtsDefaultAuthGraceTime	NA		NA		NA		N-Sup	
docsBpiCmtsDefaultTEKGraceTime	NA		NA		NA		N-Sup	
docsBpiCmtsAuthRequests	NA		NA		NA		N-Sup	
docsBpiCmtsAuthReplies	NA		NA		NA		N-Sup	
docsBpiCmtsAuthRejects	NA		NA		NA		N-Sup	
docsBpiCmtsAuthInvalids	NA		NA		NA		N-Sup	
<b>docsBpiCmtsAuthTable</b>								
<b>Object</b>	<b>2.0 CMin 1.0 mode</b>	<b>Access</b>	<b>2.0 CMin 1.1 mode</b>	<b>Access</b>	<b>2.0 CMin 2.0 mode</b>	<b>Access</b>	<b>CMTS</b>	<b>Access</b>
docsBpiCmtsAuthCmMacAddress	NA		NA		NA		N-Sup	
docsBpiCmtsAuthCmPublicKey	NA		NA		NA		N-Sup	
docsBpiCmtsAuthCmKeySequence-Number	NA		NA		NA		N-Sup	
docsBpiCmtsAuthCmExpires	NA		NA		NA		N-Sup	
docsBpiCmtsAuthCmLifetime	NA		NA		NA		N-Sup	
docsBpiCmtsAuthCmGraceTime	NA		NA		NA		N-Sup	
docsBpiCmtsAuthCmReset	NA		NA		NA		N-Sup	
docsBpiCmtsAuthCmRequests	NA		NA		NA		N-Sup	
docsBpiCmtsAuthCmReplies	NA		NA		NA		N-Sup	
docsBpiCmtsAuthCmRejects	NA		NA		NA		N-Sup	
docsBpiCmtsAuthCmInvalids	NA		NA		NA		N-Sup	
docsBpiCmtsAuthRejectErrorCode	NA		NA		NA		N-Sup	
docsBpiCmtsAuthRejectErrorString	NA		NA		NA		N-Sup	
docsBpiCmtsAuthInvalidErrorCode	NA		NA		NA		N-Sup	
docsBpiCmtsAuthInvalidErrorString	NA		NA		NA		N-Sup	

<b>docsBpiCmtsTEKTable</b>								
<b>Object</b>	<b>2.0 CM in 1.0 mode</b>	<b>Access</b>	<b>2.0 CM in 1.1 mode</b>	<b>Access</b>	<b>2.0 CM in 2.0 mode</b>	<b>Access</b>	<b>CMTS</b>	<b>Access</b>
docsBpiCmtsTEKLifetime	NA		NA		NA		N-Sup	
docsBpiCmtsTEKGraceTime	NA		NA		NA		N-Sup	
docsBpiCmtsTEKExpiresOld	NA		NA		NA		N-Sup	
docsBpiCmtsTEKExpiresNew	NA		NA		NA		N-Sup	
docsBpiCmtsTEKReset	NA		NA		NA		N-Sup	
docsBpiCmtsKeyRequests	NA		NA		NA		N-Sup	
docsBpiCmtsKeyReplies	NA		NA		NA		N-Sup	
docsBpiCmtsKeyRejects	NA		NA		NA		N-Sup	
docsBpiCmtsTEKInvalids	NA		NA		NA		N-Sup	
docsBpiCmtsKeyRejectErrorCode	NA		NA		NA		N-Sup	
docsBpiCmtsKeyRejectErrorString	NA		NA		NA		N-Sup	
docsBpiCmtsTEKInvalidErrorCode	NA		NA		NA		N-Sup	
docsBpiCmtsTEKInvalidErrorString	NA		NA		NA		N-Sup	
<b>docsBpiIpMulticastMapTable</b>								
<b>Object</b>	<b>2.0 CM in 1.0 mode</b>	<b>Access</b>	<b>2.0 CM in 1.1 mode</b>	<b>Access</b>	<b>2.0 CM in 2.0 mode</b>	<b>Access</b>	<b>CMTS</b>	<b>Access</b>
docsBpiIpMulticastAddress	NA		NA		NA		N-Sup	
docsBpiIpMulticastprefixLength	NA		NA		NA		N-Sup	
docsBpiIpMulticastServiceId	NA		NA		NA		N-Sup	
docsBpiIpMulticastMapControl	NA		NA		NA		N-Sup	
<b>docsBpiMulticastAuthTable</b>								
<b>Object</b>	<b>2.0 CM in 1.0 mode</b>	<b>Access</b>	<b>2.0 CM in 1.1 mode</b>	<b>Access</b>	<b>2.0 CM in 2.0 mode</b>	<b>Access</b>	<b>CMTS</b>	<b>Access</b>
docsBpiMulticastServiceId	NA		NA		NA		N-Sup	
docsBpiMulticastCmMacAddress	NA		NA		NA		N-Sup	
docsBpiMulticastAuthControl	NA		NA		NA		N-Sup	
<b>BPI+ MIB (draft-ietf-ipcdn-bpiplus-mib-05.txt)</b>								
<b>docsBpi2CmBaseTable</b>								
<b>Object</b>	<b>2.0 CM in 1.0 mode</b>	<b>Access</b>	<b>2.0 CM in 1.1 mode</b>	<b>Access</b>	<b>2.0 CM in 2.0 mode</b>	<b>Access</b>	<b>CMTS</b>	<b>Access</b>

docsBpi2CmPrivacyEnable	O	RO	M	RO	M	RO	NA	
docsBpi2CmPublicKey	O	RO	M	RO	M	RO	NA	
docsBpi2CmAuthState	O	RO	M	RO	M	RO	NA	
docsBpi2CmAuthKeySequenceNumber	O	RO	M	RO	M	RO	NA	
docsBpi2CmAuthExpiresOld	O	RO	M	RO	M	RO	NA	
docsBpi2CmAuthExpiresNew	O	RO	M	RO	M	RO	NA	
docsBpi2CmAuthReset	O	RW	M	RW	M	RW	NA	
docsBpi2CmAuthGraceTime	O	RO	M	RO	M	RO	NA	
docsBpi2CmTEKGraceTime	O	RO	M	RO	M	RO	NA	
docsBpi2CmAuthWaitTimeout	O	RO	M	RO	M	RO	NA	
docsBpi2CmReauthWaitTimeout	O	RO	M	RO	M	RO	NA	
docsBpi2CmOpWaitTimeout	O	RO	M	RO	M	RO	NA	
docsBpi2CmRekeyWaitTimeout	O	RO	M	RO	M	RO	NA	
docsBpi2CmAuthRejectWaitTimeout	O	RO	M	RO	M	RO	NA	
docsBpi2CmSAMapWaitTimeout	O	RO	M	RO	M	RO	NA	
docsBpi2CmSAMapMaxRetries	O	RO	M	RO	M	RO	NA	
docsBpi2CmAuthentInfos	O	RO	M	RO	M	RO	NA	
docsBpi2CmAuthRequests	O	RO	M	RO	M	RO	NA	
docsBpi2CmAuthReplies	O	RO	M	RO	M	RO	NA	
docsBpi2CmAuthRejects	O	RO	M	RO	M	RO	NA	
docsBpi2CmAuthInvalids	O	RO	M	RO	M	RO	NA	
docsBpi2CmAuthRejectErrorCode	O	RO	M	RO	M	RO	NA	
docsBpi2CmAuthRejectErrorString	O	RO	M	RO	M	RO	NA	
docsBpi2CmAuthInvalidErrorCode	O	RO	M	RO	M	RO	NA	
docsBpi2CmAuthInvalidErrorString	O	RO	M	RO	M	RO	NA	
<b>docsBpi2CmTEKTable</b>								
<b>Object</b>	<b>2.0 CMin 1.0 mode</b>	<b>Access</b>	<b>2.0 CMin 1.1 mode</b>	<b>Access</b>	<b>2.0 CMin 2.0 mode</b>	<b>Access</b>	<b>CMTS</b>	<b>Access</b>
docsBpi2CmTEKSAId	O	N-Acc	M	N-Acc	M	N-Acc	NA	
docsBpi2CmTEKSAType	O	RO	M	RO	M	RO	NA	
docsBpi2CmTEKDataEncryptAlg	O	RO	M	RO	M	RO	NA	
docsBpi2CmTEKDataAuthentAlg	O	RO	M	RO	M	RO	NA	
docsBpi2CmTEKState	O	RO	M	RO	M	RO	NA	
docsBpi2CmTEKKeySequenceNumber	O	RO	M	RO	M	RO	NA	
docsBpi2CmTEKExpiresOld	O	RO	M	RO	M	RO	NA	
docsBpi2CmTEKExpiresNew	O	RO	M	RO	M	RO	NA	
docsBpi2CmTEKKeyRequests	O	RO	M	RO	M	RO	NA	
docsBpi2CmTEKKeyReplies	O	RO	M	RO	M	RO	NA	
docsBpi2CmTEKKeyRejects	O	RO	M	RO	M	RO	NA	
docsBpi2CmTEKInvalids	O	RO	M	RO	M	RO	NA	
docsBpi2CmTEKAuthPends	O	RO	M	RO	M	RO	NA	

docsBpi2CmTEKKeyRejectErrorCode	O	RO	M	RO	M	RO	NA	
docsBpi2CmTEKKeyRejectErrorString	O	RO	M	RO	M	RO	NA	
docsBpi2CmTEKInvalidErrorCode	O	RO	M	RO	M	RO	NA	
docsBpi2CmTEKInvalidErrorString	O	RO	M	RO	M	RO	NA	
<b>docsBpi2CmIplMulticastMapTable</b>								
<b>Object</b>	<b>2.0 CM in 1.0 mode</b>	<b>Access</b>	<b>2.0 CM in 1.1 mode</b>	<b>Access</b>	<b>2.0 CM in 2.0 mode</b>	<b>Access</b>	<b>CMTS</b>	<b>Access</b>
docsBpi2CmIplMulticastIndex	O	N-Acc	M	N-Acc	M	N-Acc	NA	
docsBpi2CmIplMulticastAddressType	O	RO	M	RO	M	RO	NA	
docsBpi2CmIplMulticastAddress	O	RO	M	RO	M	RO	NA	
docsBpi2CmIplMulticastSAId	O	RO	M	RO	M	RO	NA	
docsBpi2CmIplMulticastSAMapState	O	RO	M	RO	M	RO	NA	
docsBpi2CmIplMulticastSAMapRequests	O	RO	M	RO	M	RO	NA	
docsBpi2CmIplMulticastSAMapReplies	O	RO	M	RO	M	RO	NA	
docsBpi2CmIplMulticastSAMapRejects	O	RO	M	RO	M	RO	NA	
docsBpi2CmIplMulticastSAMapRejectErrorCode	O	RO	M	RO	M	RO	NA	
docsBpi2CmIplMulticastSAMapRejectErrorString	O	RO	M	RO	M	RO	NA	
<b>docsBpi2CmDeviceCertTable</b>								
<b>Object</b>	<b>2.0 CM in 1.0 mode</b>	<b>Access</b>	<b>2.0 CM in 1.1 mode</b>	<b>Access</b>	<b>2.0 CM in 2.0 mode</b>	<b>Access</b>	<b>CMTS</b>	<b>Access</b>
docsBpi2CmDeviceCmCert	M	RW/RO	M	RW/RO	M	RW/RO	NA	
docsBpi2CmDeviceManufCert	M	RO	M	RO	M	RO	NA	
<b>docsBpi2CmCryptoSuiteTable</b>								
<b>Object</b>	<b>2.0 CM in 1.0 mode</b>	<b>Access</b>	<b>2.0 CM in 1.1 mode</b>	<b>Access</b>	<b>2.0 CM in 2.0 mode</b>	<b>Access</b>	<b>CMTS</b>	<b>Access</b>
docsBpi2CmCryptoSuiteIndex	M	N-Acc	M	N-Acc	M	N-Acc	NA	
docsBpi2CmCryptoSuiteDataEncryptAlg	M	RO	M	RO	M	RO	NA	
docsBpi2CmCryptoSuiteDataAuthentAlg	M	RO	M	RO	M	RO	NA	
<b>docsBpi2CmtsBaseEntryTable</b>								
<b>Object</b>	<b>2.0 CM in 1.0 mode</b>	<b>Access</b>	<b>2.0 CM in 1.1 mode</b>	<b>Access</b>	<b>2.0 CM in 2.0 mode</b>	<b>Access</b>	<b>CMTS</b>	<b>Access</b>
docsBpi2CmtsDefaultAuthLifetime	NA		NA		NA		M	RW

docsBpi2CmtsDefaultTEKLifetime	NA		NA		NA		M	RW
docsBpi2CmtsDefaultSelfSignedManufCertTrust	NA		NA		NA		M	RW
docsBpi2CmtsCheckCertValidityPeriods	NA		NA		NA		M	RW
docsBpi2CmtsAuthentInfos	NA		NA		NA		M	RO
docsBpi2CmtsAuthRequests	NA		NA		NA		M	RO
docsBpi2CmtsAuthReplies	NA		NA		NA		M	RO
docsBpi2CmtsAuthRejects	NA		NA		NA		M	RO
docsBpi2CmtsAuthInvalids	NA		NA		NA		M	RO
docsBpi2CmtsSAMapRequests	NA		NA		NA		M	RO
docsBpi2CmtsSAMapReplies	NA		NA		NA		M	RO
docsBpi2CmtsSAMapRejects	NA		NA		NA		M	RO
<b>docsBpi2CmtsAuthEntryTable</b>								
<b>Object</b>	<b>2.0 CMin 1.0 mode</b>	<b>Access</b>	<b>2.0 CMin 1.1 mode</b>	<b>Access</b>	<b>2.0 CMin 2.0 mode</b>	<b>Access</b>	<b>CMTS</b>	<b>Access</b>
docsBpi2CmtsAuthCmMacAddress	NA		NA		NA		M	N-Acc
docsBpi2CmtsAuthCmBpiVersion	NA		NA		NA		M	RO
docsBpi2CmtsAuthCmPublicKey	NA		NA		NA		M	RO
docsBpi2CmtsAuthCmKeySequenceNumber	NA		NA		NA		M	RO
docsBpi2CmtsAuthCmExpiresOld	NA		NA		NA		M	RO
docsBpi2CmtsAuthCmExpiresNew	NA		NA		NA		M	RO
docsBpi2CmtsAuthCmLifetime	NA		NA		NA		M	RW
docsBpi2CmtsAuthCmGraceTime	NA		NA		NA		Ob	RO
docsBpi2CmtsAuthCmReset	NA		NA		NA		M	RW
docsBpi2CmtsAuthCmInfos	NA		NA		NA		M	RO
docsBpi2CmtsAuthCmRequests	NA		NA		NA		M	RO
docsBpi2CmtsAuthCmReplies	NA		NA		NA		M	RO
docsBpi2CmtsAuthCmRejects	NA		NA		NA		M	RO
docsBpi2CmtsAuthCmInvalids	NA		NA		NA		M	RO
docsBpi2CmtsAuthRejectErrorCode	NA		NA		NA		M	RO
docsBpi2CmtsAuthRejectErrorString	NA		NA		NA		M	RO
docsBpi2CmtsAuthInvalidErrorCode	NA		NA		NA		M	RO
docsBpi2CmtsAuthInvalidErrorString	NA		NA		NA		M	RO
docsBpi2CmtsAuthPrimarySAId	NA		NA		NA		M	RO
docsBpi2CmtsAuthBpkmCmCertValid	NA		NA		NA		M	RO
docsBpi2CmtsAuthBpkmCmCert	NA		NA		NA		M	RO

<b>docsBpi2CmtsTEKTable</b>								
<b>Object</b>	<b>2.0 CM in 1.0 mode</b>	<b>Access</b>	<b>2.0 CM in 1.1 mode</b>	<b>Access</b>	<b>2.0 CM in 2.0 mode</b>	<b>Access</b>	<b>CMTS</b>	<b>Access</b>
docsBpi2CmtsTEKSAId	NA		NA		NA		M	N-Acc
docsBpi2CmtsTEKSAType	NA		NA		NA		M	RO
docsBpi2CmtsTEKDataEncryptAlg	NA		NA		NA		M	RO
docsBpi2CmtsTEKDataAuthentAlg	NA		NA		NA		M	RO
docsBpi2CmtsTEKLifetime	NA		NA		NA		M	RW
docsBpi2CmtsTEKGraceTime	NA		NA		NA		Ob	RO
docsBpi2CmtsTEKKeySequenceNumber	NA		NA		NA		M	RO
docsBpi2CmtsTEKExpiresOld	NA		NA		NA		M	RO
docsBpi2CmtsTEKExpiresNew	NA		NA		NA		M	RO
docsBpi2CmtsTEKReset	NA		NA		NA		M	RW
docsBpi2CmtsKeyRequests	NA		NA		NA		M	RO
docsBpi2CmtsKeyReplies	NA		NA		NA		M	RO
docsBpi2CmtsKeyRejects	NA		NA		NA		M	RO
docsBpi2CmtsTEKInvalids	NA		NA		NA		M	RO
docsBpi2CmtsKeyRejectErrorCode	NA		NA		NA		M	RO
docsBpi2CmtsKeyRejectErrorString	NA		NA		NA		M	RO
docsBpi2CmtsTEKInvalidErrorCode	NA		NA		NA		M	RO
docsBpi2CmtsTEKInvalidErrorString	NA		NA		NA		M	RO
<b>docsBpi2CmtsIpMulticastMapTable</b>								
<b>Object</b>	<b>2.0 CM in 1.0 mode</b>	<b>Access</b>	<b>2.0 CM in 1.1 mode</b>	<b>Access</b>	<b>2.0 CM in 2.0 mode</b>	<b>Access</b>	<b>CMTS</b>	<b>Access</b>
docsBpi2CmtsIpMulticastIndex	NA		NA		NA		M	N-Acc
docsBpi2CmtsIpMulticastAddressType	NA		NA		NA		M	RC/RO
docsBpi2CmtsIpMulticastAddress	NA		NA		NA		M	RC/RO
docsBpi2CmtsIpMulticastMaskType	NA		NA		NA		M	RC/RO
docsBpi2CmtsIpMulticastMask	NA		NA		NA		M	RC/RO
docsBpi2CmtsIpMulticastSAId	NA		NA		NA		M	RC/RO
docsBpi2CmtsIpMulticastSAType	NA		NA		NA		M	RC/RO
docsBpi2CmtsIpMulticastDataEncryptAlg	NA		NA		NA		M	RC/RO
docsBpi2CmtsIpMulticastDataAuthentAlg	NA		NA		NA		M	RC/RO
docsBpi2CmtsIpMulticastSAMapRequests	NA		NA		NA		M	RO
docsBpi2CmtsIpMulticastSAMapReplies	NA		NA		NA		M	RO

docsBpi2CmtsIplMulticastSAMapRejects	NA		NA		NA		M	RO
docsBpi2CmtsIplMulticastSAMapRejectErrorCode	NA		NA		NA		M	RO
docsBpi2CmtsIplMulticastSAMapRejectErrorString	NA		NA		NA		M	RO
docsBpi2CmtsIplMulticastMapControl	NA		NA		NA		M	RC/RO
<b>docsBpi2CmtsMulticastAuthTable</b>								
<b>Object</b>	<b>2.0 CMin 1.0 mode</b>	<b>Access</b>	<b>2.0 CMin 1.1 mode</b>	<b>Access</b>	<b>2.0 CMin 2.0 mode</b>	<b>Access</b>	<b>CMTS</b>	<b>Access</b>
docsBpi2CmtsMulticastAuthSAId	NA		NA		NA		M	N-Acc
docsBpi2CmtsMulticastAuthCmMacAddress	NA		NA		NA		M	N-Acc
docsBpi2CmtsMulticastAuthControl	NA		NA		NA		M	RC/RO
<b>docsBpi2CmtsProvisionedCmCertTable</b>								
<b>Object</b>	<b>2.0 CMin 1.0 mode</b>	<b>Access</b>	<b>2.0 CMin 1.1 mode</b>	<b>Access</b>	<b>2.0 CMin 2.0 mode</b>	<b>Access</b>	<b>CMTS</b>	<b>Access</b>
docsBpi2CmtsProvisionedCmCertMacAddress	NA		NA		NA		M	N-Acc
docsBpi2CmtsProvisionedCmCertTrust	NA		NA		NA		M	RC
docsBpi2CmtsProvisionedCmCertSource	NA		NA		NA		M	RO
docsBpi2CmtsProvisionedCmCertStatus	NA		NA		NA		M	RC
docsBpi2CmtsProvisionedCmCert	NA		NA		NA		M	RC
<b>docsBpi2CmtsCACertTable</b>								
<b>Object</b>	<b>2.0 CMin 1.0 mode</b>	<b>Access</b>	<b>2.0 CMin 1.1 mode</b>	<b>Access</b>	<b>2.0 CMin 2.0 mode</b>	<b>Access</b>	<b>CMTS</b>	<b>Access</b>
docsBpi2CmtsCACertIndex	NA		NA		NA		M	N-Acc
docsBpi2CmtsCACertSubject	NA		NA		NA		M	RO
docsBpi2CmtsCACertIssuer	NA		NA		NA		M	RO
docsBpi2CmtsCACertSerialNumber	NA		NA		NA		M	RO
docsBpi2CmtsCACertTrust	NA		NA		NA		M	RC
docsBpi2CmtsCACertSource	NA		NA		NA		M	RO
docsBpi2CmtsCACertStatus	NA		NA		NA		M	RC
docsBpi2CmtsCACert	NA		NA		NA		M	RC
docsBpi2CmtsCACertThumprint	NA		NA		NA		M	RO

<b>docsBpi2CodeDownloadGroup</b>								
<b>Object</b>	<b>2.0 CM in 1.0 mode</b>	<b>Access</b>	<b>2.0 CM in 1.1 mode</b>	<b>Access</b>	<b>2.0 CM in 2.0 mode</b>	<b>Access</b>	<b>CMTS</b>	<b>Access</b>
docsBpi2CodeDownloadStatusCode	M	RO	M		M	RO	O	RO
docsBpi2CodeDownloadStatusString	M	RO	M		M	RO	O	RO
docsBpi2CodeMfgOrgName	M	RO	M		M	RO	O	RO
docsBpi2CodeMfgCodeAccessStart	M	RO	M		M	RO	O	RO
docsBpi2CodeMfgCvcAccessStart	M	RO	M		M	RO	O	RO
docsBpi2CodeCoSignerOrgName	M	RO	M		M	RO	O	RO
docsBpi2CodeCoSignerCodeAccessStart	M	RO	M		M	RO	O	RO
docsBpi2CodeCoSignerCvcAccessStart	M	RO	M		M	RO	O	RO
docsBpi2CodeCvcUpdate	M	RW	M		M	RW	O	RW
<b>DOCS-LOADBALANCING-MIB</b>								
<b>Object</b>			<b>CM</b>	<b>Access</b>	<b>CMTS</b>	<b>Access</b>		
DocsLoadBalEnable			NA	NA	M	RW		
<b>docsLoadBalChgOverGroup</b>								
docsLoadBalChgOverMacAddress			NA	NA	M	RW		
docsLoadBalChgOverDownFrequency			NA	NA	M	RW		
docsLoadBalChgOverUpChannelId			NA	NA	M	RW		
docsLoadBalChgOverInitTech			NA	NA	M	RW		
DocsLoadBalChgOverCmd			NA	NA	M	RW		
docsLoadBalChgOverCommit			NA	NA	M	RW		
docsLoadBalChgOverLastCommit			NA	NA	M	RW		
<b>docsLoadBalChgOverStatusTable</b>								
docsLoadBalChgOverStatusMacAddr			NA	NA	M	RO		
docsLoadBalChgOverStatusDownFreq			NA	NA	M	RO		
docsLoadBalChgOverStatusUpChnId			NA	NA	M	RO		
docsLoadBalChgOverStatusInitTech			NA	NA	M	RO		
docsLoadBalChgOverStatusCmd			NA	NA	M	RO		
docsLoadBalChgOverStatusValue			NA	NA	M	RO		
docsLoadBalChgOverStatusUpdate			NA	NA	M	RO		
<b>DocsLoadBalGrpTable</b>								
docsLoadBalGrpId			NA	NA	M	N-Acc		
docsLoadBalGrplsRestricted			NA	NA	M	RC		
docsLoadBalGrpInitTech			NA	NA	M	RC		

docsLoadBalGrpDefaultPolicy	NA	NA	M	RC
docsLoadBalGrpEnable	NA	NA	M	RC
docsLoadBalGrpSuccess	NA	NA	M	RC
docsLoadBalGrpDCCFails	NA	NA	M	RC
docsLoadBalGrpStatus	NA	NA	M	RC
<b>DocsLoadBalChannelTable</b>				
docsLoadBalChannelIfIndex	NA	NA	M	RC
docsLoadBalChannelStatus	NA	NA	M	RC
<b>DocsLoadBalChnPairsTable</b>				
docsLoadBalChnPairsIfIndexDepart	NA	NA	M	N-Acc
docsLoadBalChnPairsIfIndexArrive	NA	NA	M	N-Acc
docsLoadBalChnPairsOperStatus	NA	NA	M	RO
docsLoadBalChnPairsInitTech	NA	NA	M	RC
docsLoadBalChnPairsRowStatus	NA	NA	M	RC
<b>docsLoadBalRestrictCmTable</b>				
docsLoadBalRestrictCmIndex	NA	NA	M	N-Acc
docsLoadBalRestrictCmMACAddr	NA	NA	M	RC
docsLoadBalRestrictCmMacAddrMask	NA	NA	M	RC
docsLoadBalRestrictCmStatus	NA	NA	M	RC
<b>docsLoadBalPolicyTable</b>				
docsLoadBalPolicyId	NA	NA	M	N-Acc
docsLoadBalPolicyRuleId	NA	NA	M	RC
docsLoadBalPolicyRulePtr	NA	NA	M	RC
docsLoadBalPolicyRowStatus	NA	NA	M	RC
<b>docsLoadBalBasicRuleTable</b>				
docsLoadBalBasicRuleId	NA	NA	M	N-Acc
docsLoadBalBasicRuleEnable	NA	NA	M	RC
docsLoadBalBasicRuleDisStart	NA	NA	M	RC
docsLoadBalBasicRuleDisEnd	NA	NA	M	RC
docsLoadBalBasicRuleRowStatus	NA	NA	M	RC
<b>DocsLoadBalCmtsCmStatusTable</b>				
DocsLoadBalCmtsCmStatusGroupId	NA	NA	M	RW
DocsLoadBalCmtsCmStatusPolicyId	NA	NA	M	RW
docsLoadBalCmtsCmStatusPriority	NA	NA	M	RW
<b>DOCS-IFEXT2 (Annex K)</b>				
<b>Object</b>	<b>CM</b>	<b>Access</b>	<b>CMTS</b>	<b>Access</b>

<b>docslfExt2CmMscStatusTable</b>				
docslfExt2CmMscStatusState	M	NA	NA	NA
docslfExt2CmMscStatusPowerShortfall	M	RO	NA	NA
docslfExt2CmMscStatusCodeRatio	M	RO	NA	NA
docslfExt2CmMscStatusMaximumScheduledCodes	M	RO	NA	NA
docslfExt2CmMscStatusPowerHeadroom	M	RO	NA	NA
docslfExt2CmMscStatusEffectivePower	M	RO	NA	NA
docslfExt2CmMscStatusIUC2Control	M	RW	NA	NA
<b>docslfExt2CmtsObjects</b>				
docslfExt2CmtsMscGlobalEnable	NA	NA	M	RW
<b>docslfExt2CmtsCmMscStatusTable</b>				
docslfExt2CmtsCmMscStatusPowerShortfall	NA	NA	O	RO
docslfExt2CmtsCmMscStatusCodeRatio	NA	NA	O	RO
docslfExt2CmtsCmMscStatusMaximumScheduledCodes	NA	NA	O	RO
docslfExt2CmtsCmMscStatusPowerHeadroom	NA	NA	O	RO
docslfExt2CmtsCmMscStatusMeasuredSNR	NA	NA	O	RO
docslfExt2CmtsCmMscStatusEffectiveSNR	NA	NA	O	RO
<b>docslfExt2CmtsUpChannelMscTable</b>				
docslfExt2CmtsUpChannelMscState	NA	NA	O	RW
docslfExt2CmtsUpChannelMSCTotalCMs	NA	NA	O	RO
docslfExt2CmtsUpChannelMSCLimitIUC1	NA	NA	O	RO
docslfExt2CmtsUpChannelMSCMinimumValue	NA	NA	O	RW
<b>docslfExt2CmtsUpChannelTable</b>				
docslfExt2CmtsUpChannelTotalCMs	NA	NA	O	RO
<b>SNMP-USM-DH-OBJECTS-MIB [RFC 2786]</b>				
NOTE: SNMP-USM-DH-OBJECTS-MIB is only accessible when the device is in SNMP Coexistence Mode.				
Object	CM	Access	CMTS	Access
usmDHParameters	M	RW	O	RW
<b>usmDHUserKeyTable</b>				
Object	CM	Access	CMTS	Access
usmDHUserAuthKeyChange	M	RC	O	RC
smDHUserOwnAuthKeyChange	M	RC	O	RC
usmDHUserPrivKeyChange	M	RC	O	RC
usmDHUserOwnPrivKeyChange	M	RC	O	RC
<b>usmDhKickstartTable</b>				

<b>Object</b>	<b>CM</b>	<b>Access</b>	<b>CMTS</b>	<b>Access</b>
usmDhKickstartIndex	M	N-Acc	O	N-Acc
usmDhKickstartMyPublic	M	RO	O	RO
usmDhKickstartMgrPublic	M	RO	O	RO
usmDhKickstartSecurityName	M	RO	O	RO
<b>SNMP-VIEW-BASED-ACM-MIB [RFC 3415]</b>				
(Note: SNMP-VIEW-BASED-ACM-MIB is ONLY accessible when the device is in SNMP Coexistence mode.)				
<b>vacmContextTable</b>				
<b>Object</b>	<b>CM</b>	<b>Access</b>	<b>CMTS</b>	<b>Access</b>
vacmContextName	M	RO	M	RO
<b>vacmSecurityToGroupTable</b>				
<b>Object</b>	<b>CM</b>	<b>Access</b>	<b>CMTS</b>	<b>Access</b>
vacmSecurityModel	M	N-Acc	M	N-Acc
vacmSecurityName	M	N-Acc	M	N-Acc
vacmGroupName	M	RC	M	RC
vacmSecurityToGroupStorageType	M	RC	M	RC
vacmSecurityToGroupStatus	M	RC	M	RC
<b>vacmAccessTable</b>				
<b>Object</b>	<b>CM</b>	<b>Access</b>	<b>CMTS</b>	<b>Access</b>
vacmAccessContextPrefix	M	N-Acc	M	N-Acc
vacmAccessSecurityModel	M	N-Acc	M	N-Acc
vacmAccessSecurityLevel	M	N-Acc	M	N-Acc
vacmAccessContextMatch	M	RC	M	RC
vacmAccessReadViewName	M	RC	M	RC
vacmAccessWriteViewName	M	RC	M	RC
vacmAccessNotifyViewName	M	RC	M	RC
vacmAccessStorageType	M	RC	M	RC
vacmAccessStatus	M	RC	M	RC
vacmViewSpinLock	M	RW	M	RW
<b>vacmViewTreeFamilyTable</b>				
<b>Object</b>	<b>CM</b>	<b>Access</b>	<b>CMTS</b>	<b>Access</b>
vacmViewTreeFamilyViewName	M	N-Acc	M	N-Acc
vacmViewTreeFamilySubtree	M	N-Acc	M	N-Acc
vacmViewTreeFamilyMask	M	RC	M	RC
vacmViewTreeFamilyType	M	RC	M	RC
vacmViewTreeFamilyStorageType	M	RC	M	RC

vacmViewTreeFamilyStatus	M	RC	M	RC
<b>SNMP-COMMUNITY-MIB [RFC 2576]</b>				
Note: The SNMP-COMMUNITY-MIB is ONLY accessible when the device is in SNMP Coexistence mode.				
<b>snmpCommunityTable</b>				
<b>Object</b>	<b>CM</b>	<b>Access</b>	<b>CMTS</b>	<b>Access</b>
snmpCommunityIndex	M	N-Acc	M	N-Acc
snmpCommunityName	M	RC	M	RC
snmpCommunitySecurityName	M	RC	M	RC
snmpCommunityContextEngineID	M	RC	M	RC
snmpCommunityContextName	M	RC	M	RC
snmpCommunityTransportTag	M	RC	M	RC
snmpCommunityStorageType	M	RC	M	RC
snmpCommunityStatus	M	RC	M	RC
<b>SnmTargetExtTable</b>				
<b>Object</b>	<b>CM</b>	<b>Access</b>	<b>CMTS</b>	<b>Access</b>
snmpTargetAddrTMask	M	RC	M	RC
snmpTargetAddrMMS	M	RC	M	RC
snmpTrapAddress	O	ACC-FN	O	ACC-FN
snmpTrapCommunity	O	ACC-FN	O	ACC-FN
<b>SNMP Management Framework architecture [RFC 3411]</b>				
Note: SNMP Management Framework architecture MIB is ONLY accessible when the device is in SNMP Coexistence mode.				
<b>snmpEngine Group</b>				
<b>Object</b>	<b>CM</b>	<b>Access</b>	<b>CMTS</b>	<b>Access</b>
snmpEngineID	M	RO	M	RO
snmpEngineBoots	M	RO	M	RO
snmpEngineTime	M	RO	M	RO
snmpEngineMaxMessageSize	M	RO	M	RO
<b>SNMP Message Processing and Dispatching MIB [RFC 3412]</b>				
Note: The SNMP Message Processing and Dispatching MIB is ONLY accessible when the device is in SNMP Coexistence mode.				
<b>snmpMPDStats</b>				

Object	CM	Access	CMTS	Access
snmpUnknownSecurityModels	M	RO	M	RO
snmpInvalidMsgs	M	RO	M	RO
snmpUnknownPDUHandlers	M	RO	M	RO
<b>SNMP Applications [RFC 3413]</b>				
Note: [RFC 3413] is ONLY accessible when the device is in SNMP Coexistence mode.				
Object	CM	Access	CMTS	Access
snmpTargetSpinLock	M	RW	M	RW
<b>snmpTargetAddrTable</b>				
Object	CM	Access	CMTS	Access
snmpTargetAddrName	M	N-Acc	M	N-Acc
snmpTargetAddrTDomain	M	RC	M	RC
SnmpTargetAddrTAddress	M	RC	M	RC
SnmpTargetAddrTimeout	M	RC	M	RC
SnmpTargetAddrRetryCount	M	RC	M	RC
SnmpTargetAddrTagList	M	RC	M	RC
SnmpTargetAddrParams	M	RC	M	RC
SnmpTargetAddrStorageType	M	RC	M	RC
SnmpTargetAddrRowStatus	M	RC	M	RC
<b>snmpTargetParamsTable</b>				
Object	CM	Access	CMTS	Access
SnmpTargetParamsName	M	N-Acc	M	N-Acc
SnmpTargetParamsMPModel	M	RC	M	RC
SnmpTargetParamsSecurityModel	M	RC	M	RC
SnmpTargetParamsSecurityName	M	RC	M	RC
SnmpTargetParamsSecurityLevel	M	RC	M	RC
SnmpTargetParamsStorageType	M	RC	M	RC
SnmpTargetParamsRowStatus	M	RC	M	RC
SnmpUnavailableContexts		RO	M	RO
snmpUnknownContexts	M	RO	M	RO
<b>snmpNotifyTable</b>				
Object	CM	Access	CMTS	Access
snmpNotifyName	M	N-Acc	M	N-Acc
snmpNotifyTag	M	RC	M	RC
SnmpNotifyType	M	RC	M	RC
snmpNotifyStorageType	M	RC	M	RC
SnmpNotifyRowStatus	M	RC	M	RC

<b>snmpNotifyFilterProfileTable</b>				
<b>Object</b>	<b>CM</b>	<b>Access</b>	<b>CMTS</b>	<b>Access</b>
SnmpNotifyFilterProfileName	M	RC	M	RC
snmpNotifyFilterProfileStorType	M	RC	M	RC
snmpNotifyFilterProfileRowStatus	M	RC	M	RC
<b>snmpNotifyFilterTable</b>				
<b>Object</b>	<b>CM</b>	<b>Access</b>	<b>CMTS</b>	<b>Access</b>
SnmpNotifyFilterSubtree	M	N-Acc	M	N-Acc
SnmpNotifyFilterMask	M	RC	M	RC
SnmpNotifyFilterType	M	RC	M	RC
SnmpNotifyFilterStorageType	M	RC	M	RC
SnmpNotifyFilterRowStatus	M	RC	M	RC
<b>SNMP-USER-BASED-SM-MIB [RFC 3414]</b>				
Note: The [RFC 3414] MIB is ONLY accessible when the device is in SNMP Coexistence mode.				
<b>usmStats</b>				
<b>Object</b>	<b>CM</b>	<b>Access</b>	<b>CMTS</b>	<b>Access</b>
usmStatsUnsupportedSecLevels	M	RO	M	RO
usmStatsNotInTimeWindows	M	RO	M	RO
usmStatsUnknownUserNames	M	RO	M	RO
usmStatsUnknownEngineIDs	M	RO	M	RO
usmStatsWrongDigests	M	RO	M	RO
usmStatsDecryptionErrors	M	RO	M	RO
<b>usmUser</b>				
<b>Object</b>	<b>CM</b>	<b>Access</b>	<b>CMTS</b>	<b>Access</b>
usmUserSpinLock	M	RW	M	RW
<b>usmUserTable</b>				
<b>Object</b>	<b>CM</b>	<b>Access</b>	<b>CMTS</b>	<b>Access</b>
usmUserEngineID	M	N-Acc	M	N-Acc
usmUserName	M	N-Acc	M	N-Acc
usmUserSecurityName	M	RO	M	RO
usmUserCloneFrom	M	RC	M	RC
usmUserAuthProtocol	M	RC	M	RC
usmUserAuthKeyChange	M	RC	M	RC
usmUserOwnAuthKeyChange	M	RC	M	RC
usmUserPrivProtocol	M	RC	M	RC

usmUserPrivKeyChange	M	RC	M	RC				
usmUserOwnPrivKeyChange	M	RC	M	RC				
usmUserPublic	M	RC	M	RC				
usmUserStorageType	M	RC	M	RC				
usmUserStatus	M	RC	M	RC				
<b>DOCS-IF-EXT-MIB</b>								
<b>Object</b>	<b>2.0 CM in 1.0 Mode</b>	<b>Access</b>	<b>2.0 CM in 1.1 Mode</b>	<b>Access</b>	<b>2.0 CM in 2.0 Mode</b>	<b>Access</b>	<b>CMTS</b>	<b>Access</b>
docslfDocsisCapability	D	RO	D	RO	N-Sup		N-Sup	
docslfDocsisOperMode	D	RO	D	RO	N-Sup		N-Sup	
docslfCmtsCmStatusDocsisMode	N/A	N/A	N/A	N/A	N/A	N/A	N-Sup	
<b>DOCS-CABLE-DEVICE-TRAP-MIB</b>								
<b>Object</b>	<b>2.0C M in 1.0 Mode</b>	<b>Access</b>	<b>2.0 CM in 1.1 Mode</b>	<b>Access</b>	<b>2.0 CM in 2.0 Mode</b>	<b>Access</b>	<b>CMTS</b>	<b>Access</b>
docsDevCmTrapControl	O	RW	M	RW	M	RW	NA	
docsDevCmtsTrapControl	NA		NA		NA		M	RW
docsDevCmInitTLVUnknownTrap	NA		M	ATRAP	M	ATRAP	NA	
docsDevCmDynServReqFailTrap	NA		M	ATRAP	M	ATRAP	NA	
docsDevCmDynServRspFailTrap	NA		M	ATRAP	M	ATRAP	NA	
docsDevCmDynServAckFailTrap	NA		M	ATRAP	M	ATRAP	NA	
docsDevCmBpInitTrap	NA		M	ATRAP	M	ATRAP	NA	
docsDevCmBPKMTrap	NA		M	ATRAP	M	ATRAP	NA	
docsDevCmDynamicSATrap	NA		M	ATRAP	M	ATRAP	NA	
docsDevCmDHCPFailTrap	O	ATRAP	M	ATRAP	M	ATRAP	NA	
docsDevCmSwUpgradeInitTrap	O	ATRAP	M	ATRAP	M	ATRAP	NA	
docsDevCmSwUpgradeFailTrap	O	ATRAP	M	ATRAP	M	ATRAP	NA	
docsDevCmSwUpgradeSuccessTrap	O	ATRAP	M	ATRAP	M	ATRAP	NA	
docsDevCmSwUpgradeCVCFailTrap	O	ATRAP	M	ATRAP	M	ATRAP	NA	
docsDevCmTODFailTrap	O	ATRAP	M	ATRAP	M	ATRAP	NA	
docsDevCmDCCRReqFailTrap	O	ATRAP	M	ATRAP	M	ATRAP		
docsDevCmDCCRspFailTrap	O	ATRAP	M	ATRAP	M	ATRAP		
docsDevCmDCCAckFailTrap	O	ATRAP	M	ATRAP	M	ATRAP		
docsDevCmtsInitRegReqFailTrap			NA		NA		M	ATRAP
docsDevCmtsInitRegRspFailTrap			NA		NA		M	ATRAP
docsDevCmtsInitRegAckFailTrap			NA		NA		M	ATRAP
docsDevCmtsDynServReqFailTrap			NA		NA		M	ATRAP

docsDevCmtsDynServRspFailTrap			NA		NA		M	ATRAP
docsDevCmtsDynServAckFailTrap			NA		NA		M	ATRAP
docsDevCmtsBpilnitTrap			NA		NA		M	ATRAP
docsDevCmtsBPKMTrap			NA		NA		M	ATRAP
docsDevCmtsDynamicSATrap			NA		NA		M	ATRAP
docsDevCmtsDCCReqFailTrap			NA		NA		M	ATRAP
docsDevCmtsDCCRspFailTrap			NA		NA		M	ATRAP
docsDevCmtsDCCAckFailTrap			NA		NA		M	ATRAP

### A.1 IF-MIB ifTable MIB-Object details

IF-MIB Object details for Cable Device using 10 Mbps Ethernet	CMTS-Ethernet-10	CMTS-MAC	CMTS-Downstream	CMTS-Upstream Physical Interface	CMTS-Upstream Logical Channel	CM-Ethernet-10	CM-MAC	CM-Downstream	CM-Upstream	CM-USB	CM-CPEOther Type
ifIndex: "A unique value, greater than zero, for each interface. It is recommended that values are assigned contiguously starting from 1. [The Primary CPE MUST be Interface number 1] The value for each interface sub-layer must remain constant at least from one re initialization of the entity's network management system to the next re initialization."	(n)	(n)	(n)	(n)	(n)	1 or [4+(n)]	2	3	4	1 or [4+(n)]	1 or [4+(n)]
ifType: "The type of interface. Additional values for ifType are assigned by the Internet Assigned Numbers Authority (IANA), through updating the syntax of the IANAifType textual convention."	6	127	128	129	205	6	127	128	129	160	(IANA num)
ifSpeed: "An estimate of the interface's current bandwidth in bits per second. [For RF Downstream; This is the symbol rate multiplied by the number of bits per symbol. For RF Upstream; This is the raw bandwidth in bits per second of this interface, regarding the highest speed modulation profile that is defined. This is the symbol rate multiplied with the number of bits per symbol for this modulation profile. For MAC Layer; Return zero.] For interfaces which do not vary in bandwidth or for those where no accurate estimation can be made, this object should contain the nominal bandwidth. If the bandwidth of the interface is greater than the maximum value reportable by this object then this object should report its maximum value (4,294,967,295) and ifHighSpeed must be used to report the interface's speed. For a sub-layer which has no concept of bandwidth, this object should be zero."	10,000,000	0	~64-QAM=30,341,646 ~256-QAM=42,884,296	(n)	(n)	10,000,000	0	~64-QAM=30,341,646 ~256-QAM=42,884,296	(n)	12,000,000	speed

IF-MIB Object details for Cable Device using 10 Mbps Ethernet	CMTS-Ethernet-10	CMTS-MAC	CMTS-Downstream	CMTS-Upstream Physical Interface	CMTS-Upstream Logical Channel	CM-Ethernet-10	CM-MAC	CM-Downstream	CM-Upstream	CM-USB	CM-CPEOther Type
<p>ifHighSpeed:                      "An estimate of the interface's current bandwidth in units of 1,000,000 bits per second. If this object reports a value of 'n' then the speed of the interface is somewhere in the range of 'n-500,000' to 'n+499,999'. [For RF Downstream; This is the symbol rate multiplied with the number of bits per symbol. For RF Upstream; This is the raw bandwidth in bits per second of this interface, regarding the highest speed modulation profile that is defined. This is the symbol rate multiplied with the number of bits per symbol for this modulation profile. For MAC Layer; Return zero.] For interfaces which do not vary in bandwidth or for those where no accurate estimation can be made, this object should contain the nominal bandwidth. For a sub-layer which has no concept of bandwidth, this object should be zero."</p>	10	0	~64-QAM=30, ~256-QAM=42	(n)*	(n)**	10	0	~64-QAM=30, ~256-QAM=42	(n)	12	speed
<p>ifPhysAddress:                      "The interface's address at its protocol sub-layer. [For RF Upstream/Downstream; return empty string. For MAC Layer; return the physical address of this interface.] For example, for an 802.x interface, this object normally contains a MAC address. The interface's media-specific MIB must define the bit and byte ordering and the format of the value of this object. For interfaces which do not have such an address (e.g., a serial line), this object should contain an octet string of zero length.</p>	Enet-MAC	CATV-MAC	Empty-String	Empty-String	Empty-String	Enet-MAC	CATV-MAC	Empty-String	Empty-String	USB-PhysAddr.	PhysAddr.

IF-MIB Object details for Cable Device using 10 Mbps Ethernet	CMTS-Ethernet-10	CMTS-MAC	CMTS-Downstream	CMTS-Upstream Physical Interface	CMTS-Upstream Logical Channel	CM-Ethernet-10	CM-MAC	CM-Downstream	CM-Upstream	CM-USB	CM-CPEOther Type
<p>ifAdminStatus:                      "The desired state of the interface. The testing(3) state indicates that no operational packets can be passed. [For CM: When a managed system initializes, all interfaces start with ifAdminStatus in the up(1) state. As a result of explicit management action, ifAdminStatus is then changed to either the down(2) or testing(3) states (or remains in the up(1) state). For CMTS: When a managed system initializes, all interface start with ifAdminStatus in the up(1) state. As a result of either explicit management or configuration information saved via other non SNMP method (i.e. CLI commands) retained by the managed system, ifAdminStatus is then changed to either the down(2) or testing(3) states (or remains in the up(1) state).]"</p>	Up(1), Down(2), Testing(3)	Up(1), Down(2), Testing(3)	Up(1), Down(2), Testing(3)	Up(1), Down(2), Testing(3)	Up(1), Down(2), Testing(3)	Up(1), Down(2), Testing(3)	Up(1), Down(2), Testing(3)	Up(1), Down(2), Testing(3)	Up(1), Down(2), Testing(3)	Up(1), Down(2), Testing(3)	Up(1), Down(2), Testing(3)
<p>ifOperStatus:                      "The current operational state of the interface. The testing(3) state indicates that no operational packets can be passed. If ifAdminStatus is down(2) then ifOperStatus should be down(2). If ifAdminStatus is changed to up(1) then ifOperStatus should change to up(1) if the interface is ready to transmit and receive network traffic; it should change to dormant(5) if the interface is waiting for external actions (such as a serial line waiting for an incoming connection); it should remain in the down(2) state if and only if there is a fault that prevents it from going to the up(1) state; it should remain in the notPresent(6) state if the interface has missing (typically, hardware) components."</p>	Up(1), Down(2), Testing(3), Dormant(5), notPresent(6)	Up(1), Down(2), Testing(3), Dormant(5), notPresent(6)	Up(1), Down(2), Testing(3), Dormant(5), notPresent(6)	Up(1), Down(2), Testing(3), Dormant(5), notPresent(6)	Up(1), Down(2), Testing(3), Dormant(5), notPresent(6)	Up(1), Down(2), Testing(3), Dormant(5), notPresent(6)	Up(1), Down(2), Testing(3), Dormant(5), notPresent(6)	Up(1), Down(2), Testing(3), Dormant(5), notPresent(6)	Up(1), Down(2), Testing(3), Dormant(5), notPresent(6)	Up(1), Down(2), Testing(3), Dormant(5), notPresent(6)	Up(1), Down(2), Testing(3), Dormant(5), notPresent(6)

IF-MIB Object details for Cable Device using 10 Mbps Ethernet	CMTS-Ethernet-10	CMTS-MAC	CMTS-Downstream	CMTS-Upstream Physical Interface	CMTS-Upstream Logical Channel	CM-Ethernet-10	CM-MAC	CM-Downstream	CM-Upstream	CM-USB	CM-CPE Other Type
<p>ifMtu:                      "The size of the largest packet which can be sent/received on the interface, specified in octets. [For RF Upstream/Downstream; the value includes the length of the MAC header. For MAC Layer; return 1500.] For interfaces that are used for transmitting network datagrams, this is the size of the largest network datagram that can be sent on the interface."</p>	1500	1500	1764	1764	1764	1500	1500	1764	1764	1500	1500?
<p>ifInOctets:                      "The total number of octets received on the interface, including framing characters. [For RF Upstream/Downstream (where not zero*); This includes MAC packets as well as data packets, and includes the length of the MAC header, this does not include any PHY overhead. For MAC Layer; The total number of data octets received on this interface, targeted for upper protocol layers. For MAC; The total number of data octets (bridge data, data target for the managed device) received on this interface from RF-downstream interface and before application of protocol filters defined in RFC 2669.] Discontinuities in the value of this counter can occur at re-initialization of the management system, and at other times as indicated by the value of ifCounter DiscontinuityTime."</p>	(n)	(n)	MUST be 0	(n)	(n)	(n)	(n) = low 32-bits of the 64-bit count	(n) = low 32-bits of the 64-bit count	MUST be 0	(n)	(n)

IF-MIB Object details for Cable Device using 10 Mbps Ethernet	CMTS-Ethernet-10	CMTS-MAC	CMTS-Downstream	CMTS-Upstream Physical Interface	CMTS-Upstream Logical Channel	CM-Ethernet-10	CM-MAC	CM-Downstream	CM-Upstream	CM-USB	CM-CPEOther Type
<p>IfHCInOctets: (usage**)                      "The total number of octets received on the interface, including framing characters. [For RF Upstream/Downstream (where not zero*); This includes MAC packets as well as data packets, and includes the length of the MAC header, this does not include any PHY overhead. For MAC Layer; The total number of data octets received on this interface, targeted for upper protocol layers.] This object is a 64-bit version of ifInOctets. Discontinuities in the value of this counter can occur at re-initialization of the management system, and at other times as indicated by the value of ifCounterDiscontinuityTime."</p>	0 or (n) = 64-bit count	0 or (n) = 64-bit count ***	MUST be 0	0 or (n) = 64-bit count ***	0 or (n) = 64-bit count ***	0 or (n) = 64-bit count ***	(n) = 64-bit count	(n) = 64-bit count	MUST be 0	0 or (n) = 64-bit count ***	0 or (n) = 64-bit count ***
<p>ifOutOctets:                      "The total number of octets transmitted out of the interface, including framing characters. [For RF Upstream/ Downstream (where not zero*); This includes MAC packets as well as data packets, and includes the length of the MAC header, this does not include any PHY overhead. For MAC Layer; The total number of octets, received from upper protocol layers and transmitted on this interface. For MAC; The total number of data octets (bridge data, data generated from the managed device) transmitted on this interface to RF-upstream interface after application of protocol filters defined in RFC 2669.] Discontinuities in the value of this counter can occur at re-initialization of the management system, and at other times as indicated by the value of ifCounterDiscontinuityTime."</p>	(n)	(n) = low 32-bits of the 64-bit count	(n) = low 32-bits of the 64-bit count	MUST be 0	MUST be 0	(n)	(n)	MUST be 0	(n)	(n)	(n)

IF-MIB Object details for Cable Device using 10 Mbps Ethernet	CMTS-Ethernet-10	CMTS-MAC	CMTS-Downstream	CMTS-Upstream Physical Interface	CMTS-Upstream Logical Channel	CM-Ethernet-10	CM-MAC	CM-Downstream	CM-Upstream	CM-USB	CM-CPEOther Type
<p>ifHCOutOctets: (usage**)                      "The total number of octets transmitted out of the interface, including framing characters. [For RF Upstream/ Downstream (where not zero*); This includes MAC packets as well as data packets, and includes the length of the MAC header, this does not include any PHY overhead. For MAC Layer; The total number of octets, received from upper protocol layers and transmitted on this interface.] This object is a 64-bit version of ifOutOctets. Discontinuities in the value of this counter can occur at re-initialization of the management system, and at other times as indicated by the value of ifCounter DiscontinuityTime."</p>	0 or (n) = 64-bit count ***	(n) = 64-bit count	(n) = 64-bit count	MUST be 0	MUST be 0	0 or (n) = 64-bit count ***	0 or (n) = 64-bit count ***	MUST be 0	0 or (n) = 64-bit count ***	0 or (n) = 64-bit count ***	0 or (n) = 64-bit count ***
<p>ifInUcastPkts:                      "The number of packets, delivered by this sub-layer to a higher (sub-) layer, which were not addressed to a multicast or broadcast address at this sublayer. [For RF Upstream/ Downstream (where not zero*); This includes data packets as well as MAC layer packets, this does not include any PHY overhead. For MAC Layer; The number of Unicast packets received on this interface, targeted for upper protocol layers. For MAC layer; the number of Unicast data packets (bridge data, data target for the managed device) received on this interface from RF-downstream interface before application of protocol filters defined in RFC 2669.] Discontinuities in the value of this counter can occur at re-initialization of the management system, and at other times as indicated by the value of ifCounter DiscontinuityTime."</p>	(n)	(n)	MUST be 0	(n)	(n)	(n)	(n)	MUST be 0	MUST be 0	(n)	(n)

IF-MIB Object details for Cable Device using 10 Mbps Ethernet	CMTS-Ethernet-10	CMTS-MAC	CMTS-Downstream	CMTS-Upstream Physical Interface	CMTS-Upstream Logical Channel	CM-Ethernet-10	CM-MAC	CM-Downstream	CM-Upstream	CM-USB	CM-CPEOther Type
<p>ifHCInUcastPkts:                      "The number of packets, delivered by this sub-layer to a higher (sub-) layer, which were not addressed to a multicast or broadcast address at this sub-layer. [For RF Upstream/ Downstream (where not zero*); This includes data packets as well as MAC layer packets, this does not include any PHY overhead. For MAC Layer; The number of Unicast packets received on this interface, targeted for upper protocol layers. For MAC layer; the number of Unicast data packets (bridge data, data target for the managed device) received on this interface from RF-downstream interface before application of protocol filters defined in RFC 2669.] This object is a 64-bit version of ifInUcastPkts. Discontinuities in the value of this counter can occur at re-initialization of the management system, and at other times as indicated by the value of ifCounterDiscontinuityTime."</p>	0 or (n) = 64-bit count ***	0 or (n) = 64-bit count ***	0 eq 1SNM	0 or (n) = 64-bit count ***	0 or (n) = 64-bit count ***	0 or (n) = 64-bit count ***	0 or (n) = 64-bit count ***	MUST be 0	MUST be 0	0 or (n) = 64-bit count ***	0 or (n) = 64-bit count ***
<p>ifInMulticastPkts:                      "The number of packets, delivered by this sub-layer to a higher (sub-) layer, which were addressed to a multicast address at this sublayer. [For RF Upstream/ Downstream (where not zero*); This includes data packets as well as MAC layer packets, this does not include any PHY overhead. For MAC Layer; The number of Multicast packets received on this interface, targeted for upper protocol layers. For MAC layer; the number of Multicast data packets (bridge data, data targeted for the managed device) received on this interface from RF-downstream interface before application of protocol filter defined in RFC 2669.] For a MAC layer protocol, this includes both Group and Functional addresses. Discontinuities in the value of this counter can occur at re-initialization of the management system, and at other times as indicated by the value of ifCounterDiscontinuityTime."</p>	(n)	(n)	MUST be 0	(n)	(n)	(n)	(n)	MUST be 0	MUST be 0	(n)	(n)

IF-MIB Object details for Cable Device using 10 Mbps Ethernet	CMTS-Ethernet-10	CMTS-MAC	CMTS-Downstream	CMTS-Upstream Physical Interface	CMTS-Upstream Logical Channel	CM-Ethernet-10	CM-MAC	CM-Downstream	CM-Upstream	CM-USB	CM-CPEOther Type
<p>ifHCInMulticastPkts:                      "The number of packets, delivered by this sub-layer to a higher (sub-) layer, which were addressed to a multicast address at this sub-layer. [For RF Upstream/ Downstream (where not zero*); This includes data packets as well as MAC layer packets, this does not include any PHY overhead. For MAC Layer; The number of Multicast packets received on this interface, targeted for upper protocol layers. For MAC layer; the number of Multicast data packets (bridge data, data targeted for the managed device) received on this interface from RF-downstream interface before application of protocol filter defined in RFC 2669.] For a MAC layer protocol, this includes both Group and Functional addresses. This object is a 64-bit version of ifInMulticastPkts. Discontinuities in the value of this counter can occur at re-initialization of the management system, and at other times as indicated by the value of ifCounter DiscontinuityTime."</p>	0 or (n) = 64-bit count ***	0 or (n) = 64-bit count ***	MUST be 0	0 or (n) = 64-bit count ***	0 or (n) = 64-bit count ***	0 or (n) = 64-bit count ***	0 or (n) = 64-bit count ***	MUST be 0	MUST be 0	0 or (n) = 64-bit count ***	0 or (n) = 64-bit count ***
<p>ifInBroadcastPkts:                      "The number of packets, delivered by this sub-layer to a higher (sub-) layer, which were addressed to a broadcast address at this sub-layer. [For RF Upstream/ Downstream (where not zero*); This includes data packets as well as MAC layer packets, this does not include any PHY overhead. For MAC Layer; The number of Broadcast packets received on this interface, targeted for upper protocol layers. For MAC layer; The number of Broadcast data packets (bridge data, data targeted for the managed device) received on this interface from RF-downstream interface before application of protocol filter defined in RFC 2669.] Discontinuities in the value of this counter can occur at re-initialization of the management system, and at other times as indicated by the value of ifCounter DiscontinuityTime."</p>	(n)	(n)	MUST be 0	(n)	(n)	(n)	(n)	(n)	MUST be 0	(n)	(n)

IF-MIB Object details for Cable Device using 10 Mbps Ethernet	CMTS-Ethernet-10	CMTS-MAC	CMTS-Downstream	CMTS-Upstream Physical Interface	CMTS-Upstream Logical Channel	CM-Ethernet-10	CM-MAC	CM-Downstream	CM-Upstream	CM-USB	CM-CPEOther Type
<p>ifHCInBroadcastPkts:                      "The number of packets, delivered by this sub-layer to a higher (sub-) layer, which were addressed to a broadcast address at this sub-layer. [For RF Upstream/ Downstream (where not zero*); This includes data packets as well as MAC layer packets, this does not include any PHY overhead. For MAC Layer; The number of Broadcast packets received on this interface, targeted for upper protocol layers. For MAC layer; The number of Broadcast data packets (bridge data, data targeted for the managed device) received on this interface from RF-downstream interface before application of protocol filter defined in RFC 2669.] This object is a 64-bit version of ifInBroadcastPkts. Discontinuities in the value of this counter can occur at re-initialization of the management system, and at other times as indicated by the value of ifCounterDiscontinuityTime."</p>	0 or (n) = 64-bit count ***	0 or (n) = 64-bit count ***	MUST be 0	0 or (n) = 64-bit count ***	0 or (n) = 64-bit count ***	0 or (n) = 64-bit count ***	0 or (n) = 64-bit count ***	0 or (n) = 64-bit count ***	MUST be 0	0 or (n) = 64-bit count ***	0 or (n) = 64-bit count ***
<p>ifInDiscards:                      "The number of inbound packets which were chosen to be discarded even though no errors had been detected to prevent their being deliverable to a higher-layer protocol. One possible reason for discarding such a packet could be to free up buffer space. Discontinuities in the value of this counter can occur at re-initialization of the management system, and at other times as indicated by the value of ifCounterDiscontinuityTime."</p>	(n)	(n)	MUST be 0	(n)	(n)	(n)	(n)	(n)	MUST be 0	(n)	(n)

IF-MIB Object details for Cable Device using 10 Mbps Ethernet	CMTS-Ethernet-10	CMTS-MAC	CMTS-Downstream	CMTS-Upstream Physical Interface	CMTS-Upstream Logical Channel	CM-Ethernet-10	CM-MAC	CM-Downstream	CM-Upstream	CM-USB	CM-CPE Other Type
<p>ifInErrors:                      "For packet-oriented interfaces, the number of inbound packets that contained errors preventing them from being deliverable to a higher-layer protocol. For character-oriented or fixed-length interfaces, the number of inbound transmission units that contained errors preventing them from being deliverable to a higher-layer protocol. Discontinuities in the value of this counter can occur at re-initialization of the management system, and at other times as indicated by the value of ifCounterDiscontinuityTime."</p>	(n)	(n)	MUST be 0	(n)	(n)	(n)	(n)	(n)	MUST be 0	(n)	(n)
<p>ifInUnknownProtos:                      "For packet-oriented interfaces, the number of packets received via the interface which were discarded because of an unknown or unsupported protocol. For character-oriented or fixed-length interfaces that support protocol multiplexing the number of transmission units received via the interface which were discarded because of an unknown or unsupported protocol. For any interface that does not support protocol multiplexing, this counter will always be 0. Discontinuities in the value of this counter can occur at re-initialization of the management system, and at other times as indicated by the value of ifCounterDiscontinuityTime."</p>	(n)	(n)	MUST be 0	(n)	(n)	(n)	(n)	(n)	MUST be 0	(n)	(n)

IF-MIB Object details for Cable Device using 10 Mbps Ethernet	CMTS-Ethernet-10	CMTS-MAC	CMTS-Downstream	CMTS-Upstream Physical Interface	CMTS-Upstream Logical Channel	CM-Ethernet-10	CM-MAC	CM-Downstream	CM-Upstream	CM-USB	CM-CPEOther Type
<p>ifOutUcastPkts:                      "The total number of packets that higher-level protocols requested be transmitted, and which were not addressed to a multicast or broadcast address at this sub-layer, including those that were discarded or not sent. [For RF Upstream/ Downstream (where not zero*); This includes MAC packets as well as data packets, this does not include any PHY overhead. For MAC Layer; The number of Unicast packets, received from upper protocol layers and transmitted on this interface. For MAC layer; The number of Unicast data packets (bridge data, data generated from the managed device) transmitted on this interface to RF-upstream interface after application of protocol filters defined in RFC 2669.] Discontinuities in the value of this counter can occur at re-initialization of the management system, and at other times as indicated by the value of ifCounterDiscontinuityTime."</p>	(n)	(n)	(n)	MUST be 0	MUST be 0	(n)	(n)	MUST be 0	(n)	(n)	(n)

IF-MIB Object details for Cable Device using 10 Mbps Ethernet	CMTS-Ethernet-10	CMTS-MAC	CMTS-Downstream	CMTS-Upstream Physical Interface	CMTS-Upstream Logical Channel	CM-Ethernet-10	CM-MAC	CM-Downstream	CM-Upstream	CM-USB	CM-CPEOther Type
<p>ifHCOutUcastPkts:                      "The total number of packets that higher-level protocols requested be transmitted, and which were not addressed to a multicast or broadcast address at this sub-layer, including those that were discarded or not sent. [For RF Upstream/ Downstream (where not zero*); This includes MAC packets as well as data packets, this does not include any PHY overhead. For MAC Layer; The number of Unicast packets, received from upper protocol layers and transmitted on this interface. For MAC layer; The number of Unicast data packets (bridge data, data generated from the managed device) transmitted on this interface to RF-upstream interface after application of protocol filters defined in RFC 2669.] This object is a 64-bit version of ifOutUcastPkts. Discontinuities in the value of this counter can occur at re-initialization of the management system, and at other times as indicated by the value of ifCounterDiscontinuityTime."</p>	0 or (n) = 64-bit count ***	0 or (n) = 64-bit count ***	0 or (n) = 64-bit count ***	MUST be 0	MUST be 0	0 or (n) = 64-bit count ***	0 or (n) = 64-bit count ***	MUST be 0	0 or (n) = 64-bit count ***	0 or (n) = 64-bit count ***	0 or (n) = 64-bit count ***

IF-MIB Object details for Cable Device using 10 Mbps Ethernet	CMTS-Ethernet-10	CMTS-MAC	CMTS-Downstream	CMTS-Upstream Physical Interface	CMTS-Upstream Logical Channel	CM-Ethernet-10	CM-MAC	CM-Downstream	CM-Upstream	CM-USB	CM-CPEOther Type
<p>ifOutMulticastPkts:                      "The total number of packets that higher-level protocols requested be transmitted, and which were addressed to a multicast address at this sub-layer, including those that were discarded or not sent. [For RF Upstream/ Downstream (where not zero*); This includes MAC packets as well as data packets, this does not include any PHY overhead. For MAC Layer; The number of Multicast packets received from upper protocol layers and transmitted on this interface. For MAC layer; The number of Multicast data packets (bridge data, data generated from the managed device) transmitted on this interface to RF-upstream interface after application of protocol filters defined in RFC 2669.] For a MAC layer protocol, this includes both Group and Functional addresses. Discontinuities in the value of this counter can occur at re-initialization of the management system, and at other times as indicated by the value of ifCounter DiscontinuityTime."</p>	(n)	(n)	(n)	MUST be 0	MUST be 0	(n)	(n)	MUST be 0	MUST be 0	(n)	(n)

IF-MIB Object details for Cable Device using 10 Mbps Ethernet	CMTS-Ethernet-10	CMTS-MAC	CMTS-Downstream	CMTS-Upstream Physical Interface	CMTS-Upstream Logical Channel	CM-Ethernet-10	CM-MAC	CM-Downstream	CM-Upstream	CM-USB	CM-CPEOther Type
<p>ifHCOutMulticastPkts:                      "The total number of packets that higher-level protocols requested be transmitted, and which were addressed to a multicast address at this sub-layer, including those that were discarded or not sent. [For RF Upstream/ Downstream (where not zero*); This includes MAC packets as well as data packets, this does not include any PHY overhead. For MAC Layer; The number of Multicast packets received from upper protocol layers and transmitted on this interface. For MAC layer; The number of Multicast data packets (bridge data, data generated from the managed device) transmitted on this interface to RF-upstream interface after application of protocol filters defined in RFC 2669.] For a MAC layer protocol, this includes both Group and Functional addresses. This object is a 64-bit version of ifOutMulticastPkts. Discontinuities in the value of this counter can occur at re-initialization of the management system, and at other times as indicated by the value of ifCounter DiscontinuityTime."</p>	<p>0 or (n) = 64-bit count ***</p>	<p>0 or (n) = 64-bit count ***</p>	<p>0 or (n) = 64-bit count ***</p>	<p>MUST be 0</p>	<p>MUST be 0</p>	<p>0 or (n) = 64-bit count ***</p>	<p>0 or (n) = 64-bit count ***</p>	<p>MUST be 0</p>	<p>MUST be 0</p>	<p>0 or (n) = 64-bit count ***</p>	<p>0 or (n) = 64-bit count ***</p>

IF-MIB Object details for Cable Device using 10 Mbps Ethernet	CMTS-Ethernet-10	CMTS-MAC	CMTS-Downstream	CMTS-Upstream Physical Interface	CMTS-Upstream Logical Channel	CM-Ethernet-10	CM-MAC	CM-Downstream	CM-Upstream	CM-USB	CM-CPEOther Type
<p>ifOutBroadcastPkts:                      "The total number of packets that higher-level protocols requested be transmitted, and which were addressed to a broadcast address at this sub-layer, including those that were discarded or not sent. [For RF Upstream/ Downstream (where not zero*); This includes MAC packets as well as data packets, this does not include any PHY overhead. For MAC Layer; The number of Broadcast packets, received from upper protocol layers and transmitted on this interface. For MAC layer; The number of Broadcast data packets (bridge data, data generated from the managed device) transmitted on this interface to RF-upstream interface after application of protocol filters defined in RFC 2669.] Discontinuities in the value of this counter can occur at re-initialization of the management system, and at other times as indicated by the value of ifCounter DiscontinuityTime."</p>	(n)	(n)	(n)	MUST be 0	MUST be 0	(n)	(n)	MUST be 0	MUST be 0	(n)	(n)

IF-MIB Object details for Cable Device using 10 Mbps Ethernet	CMTS-Ethernet-10	CMTS-MAC	CMTS-Downstream	CMTS-Upstream Physical Interface	CMTS-Upstream Logical Channel	CM-Ethernet-10	CM-MAC	CM-Downstream	CM-Upstream	CM-USB	CM-CPEOther Type
<p>ifHCOutBroadcastPkts:                      "The total number of packets that higher-level protocols requested be transmitted, and which were addressed to a broadcast address at this sub-layer, including those that were discarded or not sent. [For RF Upstream/ Downstream (where not zero*); This includes MAC packets as well as data packets, this does not include any PHY overhead. For MAC Layer; The number of Broadcast packets, received from upper protocol layers and transmitted on this interface. For MAC layer; The number of Broadcast data packets (bridge data, data generated from the managed device) transmitted on this interface to RF-upstream interface after application of protocol filters defined in RFC 2669.] This object is a 64-bit version of ifOutBroadcastPkts. Discontinuities in the value of this counter can occur at re-initialization of the management system, and at other times as indicated by the value of ifCounterDiscontinuityTime."</p>	0 or (n) = 64-bit count ***	0 or (n) = 64-bit count ***	0 or (n) = 64-bit count ***	MUST be 0	MUST be 0	0 or (n) = 64-bit count ***	0 or (n) = 64-bit count ***	MUST be 0	MUST be 0	0 or (n) = 64-bit count ***	0 or (n) = 64-bit count ***
<p>ifOutDiscards:                      "The number of outbound packets which were chosen to be discarded even though no errors had been detected to prevent their being transmitted. One possible reason for discarding such a packet could be to free up buffer space. Discontinuities in the value of this counter can occur at re-initialization of the management system, and at other times as indicated by the value of ifCounterDiscontinuityTime."</p>	(n)	(n)	(n)	MUST be 0	MUST be 0	(n)	(n)	MUST be 0	(n)	(n)	(n)

IF-MIB Object details for Cable Device using 10 Mbps Ethernet	CMTS-Ethernet-10	CMTS-MAC	CMTS-Downstream	CMTS-Upstream Physical Interface	CMTS-Upstream Logical Channel	CM-Ethernet-10	CM-MAC	CM-Downstream	CM-Upstream	CM-USB	CM-CPEOther Type
<p>ifOutErrors:                      "For packet-oriented interfaces, the number of outbound packets that could not be transmitted because of errors. For character-oriented or fixed-length interfaces, the number of outbound transmission units that could not be transmitted because of errors. Discontinuities in the value of this counter can occur at re-initialization of the management system, and at other times as indicated by the value of ifCounterDiscontinuityTime."</p>	(n)	(n)	(n)	MUST be 0	MUST be 0	(n)	(n)	MUST be 0	(n)	(n)	(n)
<p>ifPromiscuousMode:                      "This object has a value of false(2) if this interface only accepts packets/frames that are addressed to this station. This object has a value of true(1) when the station accepts all packets/frames transmitted on the media. The value true(1) is only legal on certain types of media. If legal, setting this object to a value of true(1) may require the interface to be reset before becoming effective. The value of ifPromiscuousMode does not affect the reception of broadcast and multicast packets/frames by the interface."</p>	true(1) false(2)	true(1) false(2)	false(2)	true(1) false(2)	true(1) false(2)	true(1) false(2)	true(1) false(2)	true(1) false(2)	false(2)	true(1) false(2)	true(1) false(2)

<p><b>RFC-2863 MIB-Object details for Cable Device, using 100 Mbps Ethernet</b></p> <p><b>(Effected MIB-Objects only; All others are the same as preceding table)</b></p>	CMTS-Ethernet-10	CMTS-MAC	CMTS-Downstream	CMTS-Upstream Physical Interface	CMTS-Upstream	CM-Ethernet-100	CM-MAC	CM-Downstream	CM-Upstream	CM-USB	CM-CPEOther Type
<p>ifSpeed:                      "An estimate of the interface's current bandwidth in bits per second. [For RF Downstream; This is the symbol rate multiplied with the number of bits per symbol. For RF Upstream; This is the raw bandwidth in bits per second of this interface, regarding the highest speed modulation profile that is defined. This is the symbol rate multiplied with the number of bits per symbol for this modulation profile. For MAC Layer; Return zero.] For interfaces which do not vary in bandwidth or for those where no accurate estimation can be made, this object should contain the nominal bandwidth. If the bandwidth of the interface is greater than the maximum value reportable by this object, then this object should report its maximum value (4,294,967,295) and ifHighSpeed must be used to report the interface's speed. For a sub-layer which has no concept of bandwidth, this object should be zero."</p>	100,000,000	0	~64-QAM=30,341,646, ~256-QAM=42,884,296	(n)	(n)	100,000,000	0	~64-QAM=30,341,646, ~256-QAM=42,884,296	(n)	12,000,000	speed
<p>ifHighSpeed:                      "An estimate of the interface's current bandwidth in units of 1,000,000 bits per second. If this object reports a value of 'n', then the speed of the interface is somewhere in the range of 'n-500,000' to n+499,999'. [For RF Downstream; This is the symbol rate multiplied with the number of bits per symbol. For RF Upstream; This is the raw bandwidth in bits per second of this interface, regarding the highest speed modulation profile that is defined. This is the symbol rate multiplied with the number of bits per symbol for this modulation profile. For MAC Layer; Return zero.] For interfaces which do not vary in bandwidth or for those where no accurate estimation can be made, this object should contain the nominal bandwidth. For a sub-layer which has no concept of bandwidth, this object should be zero."</p>	100	0	~64-QAM=30, ~256-QAM=42	(n)	(n)	100	0	~64-QAM=30, ~256-QAM=42	(n)	12	speed

<p><b>RFC-2863 MIB-Object details for Cable Device, using 100 Mbps Ethernet</b></p> <p><b>(Effected MIB-Objects only; All others are the same as preceding table)</b></p>	<p><b>CMTS-Ethernet-10</b></p>	<p><b>CMTS-MAC</b></p>	<p><b>CMTS-Downstream</b></p>	<p><b>CMTS-Upstream Physical Interface</b></p>	<p><b>CMTS-Upstream</b></p>	<p><b>CM-Ethernet-100</b></p>	<p><b>CM-MAC</b></p>	<p><b>CM-Downstream</b></p>	<p><b>CM-Upstream</b></p>	<p><b>CM-USB</b></p>	<p><b>CM-CPEOther Type</b></p>
<p>IfInOctets:                      "The total number of octets received on the interface, including framing characters. [For RF Upstream/Downstream (where not zero*); This includes MAC packets as well as data packets, and includes the length of the MAC header; this does not include any PHY overhead. For MAC Layer; The total number of data octets received on this interface. targeted for upper protocol layers. For MAC; The total number of data octets (bridge data, data target for the managed device) received on this interface from RF downstream interface and before application of protocol filters defined in RFC-2669.] Discontinuities in the value of this counter can occur at re initialization of the management system, and a other times, as indicated by the value of ifCounterDiscontinuityTime."</p>	<p>(n)= low 32-bits of the 64-bit count</p>	<p>(n)</p>	<p>MUST be 0</p>	<p>(n)</p>	<p>(n)</p>	<p>(n)= low 32-bits of the 64-bit count</p>	<p>(n)= low 32-bits of the 64-bit count</p>	<p>(n)= low 32-bits of the 64-bit count</p>	<p>MUST be 0</p>	<p>(n)</p>	<p>(n)</p>
<p>IfHCInOctets: (usage**) "The total number of octets received on the interface, including framing characters. [For RF Upstream/Downstream (where not zero*); This includes MAC packets as well as data packets, and includes the length of the MAC header; this does not include any PHY overhead. For MAC Layer; The total number of data octets received on this interface. targeted for upper protocol layers.] This object is a 64-bit version of ifInOctets. Discontinuities in the value of this counter can occur at re initialization of the management system, and a other times, as indicated by the value of ifCounterDiscontinuityTime."</p>	<p>(n)= 64-bit count</p>	<p>0 or (n)= 64-bit count</p>	<p>MUST be 0</p>	<p>0 or (n)= 64-bit count</p>	<p>0 or (n)= 64-bit count</p>	<p>(n)= 64-bit count</p>	<p>(n)= 64-bit count</p>	<p>(n)= 64-bit count</p>	<p>MUST be 0</p>	<p>0 or (n)= 64-bit count ***</p>	<p>0 or (n)= 64-bit count ***</p>

<b>RFC-2863 MIB-Object details for Cable Device, using 100 Mbps Ethernet</b> <b>(Effected MIB-Objects only; All others are the same as preceding table)</b>	<b>CMTS-Ethernet-10</b>	<b>CMTS-MAC</b>	<b>CMTS-Downstream</b>	<b>CMTS-Upstream Physical Interface</b>	<b>CMTS-Upstream</b>	<b>CM-Ethernet-100</b>	<b>CM-MAC</b>	<b>CM-Downstream</b>	<b>CM-Upstream</b>	<b>CM-USB</b>	<b>CM-CPEOther Type</b>
<b>IfOutOctets:</b> "The total number of octets transmitted out of the interface, including framing characters. [For RF Upstream/Downstream (where not zero*); This includes MAC packets as well as data packets, and includes the length of the MAC header; this does not include any PHY overhead. For MAC Layer; The total number of data octets received from upper protocol layers and transmitted on this interface. For MAC; The total number of data octets (bridge data, data target for the managed device) transmitted on this interface from RF upstream interface and after application of protocol filters defined in RFC-2669.] Discontinuities in the value of this counter can occur at re initialization of the management system, and a other times, as indicated by the value of ifCounterDiscontinuityTime."	(n)= low 32-bits of the 64-bit count	(n)= low 32-bits of the 64-bit count	(n)= low 32-bits of the 64-bit count	MUST be 0	MUST be 0	(n)= low 32-bits of the 64-bit count	(n)	MUST be 0	(n)	(n)	(n)
<b>IfHCOctets:</b> (usage**) "The total number of octets transmitted out of the interface, including framing characters. [For RF Upstream/Downstream (where not zero*); This includes MAC packets as well as data packets, and includes the length of the MAC header; this does not include any PHY overhead. For MAC Layer; The total number of data octets received from upper protocol layers and transmitted on this interface.] This object is a 64-bit version of ifOutOctets. Discontinuities in the value of this counter can occur at re initialization of the management system, and a other times, as indicated by the value of ifCounterDiscontinuityTime."	(n)= 64-bit count	(n)= 64-bit count	(n)= 64-bit count	MUST be 0	MUST be 0	(n)= 64-bit count	0 or (n)= 64-bit count ***	MUST be 0	0 or (n)= 64-bit count ***	0 or (n)= 64-bit count ***	0 or (n)= 64-bit count ***

## A.2 [RFC 1493] and [RFC 2863] MIB-Object Details for CCCM

For MIB objects in [RFC 1493] and [RFC 2863] to be tested in applicable Taps, they MUST be interpreted according to this Appendix.

### A.2.1 [RFC 1493] MIB-Object Details

Table A-1 [RFC 1493] MIB-Object Details

<b>BRIDGE-MIB [RFC 1493]</b>		
<b>dot1dBase group</b>		
<b>Objects</b>	<b>CCCM</b>	<b>Access</b>
dot1dBaseBridgeAddress	M	RO
dot1dBaseNumPorts	M	RO
dot1dBaseType	M	RO
<b>dot1dBasePortTable</b>		
<b>Objects</b>	<b>CCCM</b>	<b>Access</b>
dot1dBasePort	M	RO
dot1dBasePortIfIndex	M	RO
dot1dBasePortCircuit	M	RO
dot1dBasePortDelayExceededDiscards	M	RO
dot1dBasePortMtuExceededDiscards	M	RO
<b>dot1dStp group</b>		
<b>Objects</b>	<b>CCCM</b>	<b>Access</b>
dot1dStpProtocolSpecification	NA	
dot1dStpPriority	NA	
dot1dStpTimeSinceTopologyChange	NA	
dot1dStpTopChanges	NA	
dot1dStpDesignatedRoot	NA	
dot1dStpRootCost	NA	
dot1dStpRootPort	NA	
dot1dStpMaxAge	NA	
dot1dStpHelloTime	NA	
dot1dStpHoldTime	NA	
dot1dStpForwardDelay	NA	
dot1dStpBridgeMaxAge	NA	
dot1dStpBridgeHelloTime	NA	
dot1dStpBridgeForwardDelay	NA	
<b>dot1dStpPortTable</b>		
<b>Objects</b>	<b>CCCM</b>	<b>Access</b>
dot1dStpPort	NA	
dot1dStpPortPriority	NA	
dot1dStpPortState	NA	
dot1dStpPortEnable	NA	

Table A-1 [RFC 1493] MIB-Object Details (Continued)

<b>BRIDGE-MIB [RFC 1493]</b>		
dot1dStpPortPathCost	NA	
dot1dStpPortDesignatedRoot	NA	
dot1dStpPortDesignatedCost	NA	
dot1dStpPortDesignatedBridge	NA	
dot1dStpPortDesignatedPort	NA	
dot1dStpPortForwardTransitions	NA	
<b>dot1dTp group</b>		
<b>Objects</b>	<b>CCCM</b>	<b>Access</b>
dot1dTpLearnedEntryDiscards	M	RO
dot1dTpAgingTime	M	RO
<b>dot1dTpFdbTable</b>		
<b>Objects</b>	<b>CCCM</b>	<b>Access</b>
dot1dTpFdbAddress	M	RO
dot1dTpFdbPort	M	RO
dot1dTpFdbStatus	M	RO
<b>dot1dTpPortTable</b>		
<b>Objects</b>	<b>CCCM</b>	<b>Access</b>
dot1dTpPort		
dot1dTpPortMaxInfo	M	RO
dot1dTpPortInFrames	M	RO
dot1dTpPortOutFrames	M	RO
dot1dTpPortInDiscards	M	RO
<b>dot1dStaticTable</b>		
<b>Objects</b>	<b>CCCM</b>	<b>Access</b>
dot1dStaticAddress	O	RO
dot1dStaticReceivePort	O	RO
dot1dStaticAllowedToGoTo	O	RO
dot1dStaticStatus	O	RO

## A.2.2 Implementation of [RFC 1493] MIB for CCCM

### The dot1dBase group

This is a mandatory group which contains the objects which are applicable to all types of bridges.

Table A-2 The dot1dBase Group

<b>Mib Object</b>	<b>Object Value Description</b>	<b>Access</b>
dot1dBaseBridgeAddress	CCCM MAC address	Hard coded, read-only
dot1dBaseNumPorts	2 (RF port, CPE port)	Hard coded, read-only
dot1dBaseType	Transparent-only(2)	Hard coded, read-only
dot1dBasePortTable	See following Table	

**Dot1dBasePortTable**

The following table contains generic information about every port that is associated.

**Table A-3 Dot1dBasePortTable**

Mib Object	Object Value Description	Access
Dot1dBasePort	1 - for CPE port; 2 - for RF port	Read-only
Dot1dBasePortIfIndex	IfIndex of CPE interface (1) - for CPE port; IfIndex of CATV MAC interface (2) - for RF port	Read-only
Dot1dBasePortCircuit	{0,0} - For a port which has a unique value of dot1dBasePortIfIndex, this object can have the value(0,0).	Read-only
Dot1dBasePortDelayExceededDiscards	# of frames discarded by the port due to excessive transit delay through the bridge; May be 0.	Read-only
Dot1dBasePortMtuExceededDiscards	# of frames discarded by the port due to excessive size; May be 0.	Read-only

**The dot1dStp Group = Not Implemented**

If a node does not implement the Spanning Tree Protocol, this group will not be implemented.

**The dot1dSr Group = Not Implemented**

If source routing is not supported, this group will not be implemented.

**The dot1dTp Group = Not Implemented or limited implementation as described below:**

This group contains objects that describe the entity's state with respect to transparent bridging. If transparent bridging is not supported, this group will not be implemented. This group is applicable to transparent only and SRT bridges.

**Table A-4 Dot1dBasePortTable**

Mib Object	Object Value Description	Access
dot1dTpLearnedEntryDiscards	Supported	Hard-coded, read-only
dot1dTpAgingTime	1000001	Hard-coded, read-only
dot1dTpEntry (Table)	For transparent bridging only - read-only Table has 2 entries, see below	
dot1dTpFdbAddress	CPE MAC address	Hard-coded, read-only
dot1dTpFdbPort	0 (port number has not been learned)	Hard-coded, read-only
dot1dTpFdbStatus	4: self(4)	Hard-coded, read-only
dot1dTpPortTable	See Table below	

**Table A-5 dot1dFdbTable**

Mib Object	Object Valve Description	Access
dot1dTpFdbAddress	CPE MAC address - for port on CATV MAC interface; CATV MAC address - for port on CPE interface;	Hard-coded, read-only
dot1dTpFdbPort	0 (port number has not been learned) for both entries	Hard-coded, read-only
dot1dTpFdbStatus	self(4) for both entries	Hard-coded, read-only

**The dot1dTpPortTable**

A table that contains information about every port that is associated with the transparent bridge.

**Table A-6 dot1dTpPortTable**

Mib Object	Object Valve Description	Access
Dot1dTpPortMaxInfo	1500 - Maximum size of the info (non-mac) field that the port will receive or transmit.	Read-only
Dot1dTpPortInFrame	Counter - supported	Read-only
Dot1dTpPortOutFrames	Counter - supported	Read-only
Dot1dTpPortInDiscards	CPE=CPE Discards MAC=MAC Discards	Read-only

The dot1dStatic Group = Not Implemented. Implementation of this group is optional.

**A.2.3 [RFC 2863] ifTable MIB-Object details for CCCM**

From SNMP perspective, CCCM MUST mimic the standalone CM. The generic network interface MIB on logical CPE interface MUST be supported [RFC 2863], with the following recommended values:

**Table A-7 [RFC 2863] ifTable MIB-Object details for CCCM**

ifTable / ifXTable Table Field	Implementation for CPE Interface
ifIndex	1
ifDescr	"Textual description"
ifType	1 - other
ifMtu	1500
ifSpeed	10 Mbit/sec
ifPhysAddress	Empty string
ifAdminStatus	Up to [RFC 2863]. Setting this object to 'disable' causes no data flow to the PC CPE behind the modem. (Similar to the "NACO off" operation)
ifOperStatus	Up to [RFC 2863] and OSSI Annex B.1
ifLastChance	Up to [RFC 2863] and OSSI Annex B.1
ifInOctets	Up to [RFC 2863] and OSSI Annex B.1
ifInUcastPkts	Up to [RFC 2863] and OSSI Annex B.1
ifInDiscards	Up to [RFC 2863] and OSSI Annex B.1
ifInErrors	Up to [RFC 2863] and OSSI Annex B.1
ifInUnknownProtos	Up to [RFC 2863] and OSSI Annex B.1
ifOutOctets	Up to [RFC 2863] and OSSI Annex B.1

**Table A-7 [RFC 2863] ifTable MIB-Object details for CCCM (Continued)**

<b>ifTable / ifXTable Table Field</b>	<b>Implementation for CPE Interface</b>
ifOutUcastPkts	Up to [RFC 2863] and OSSI Annex B.1
ifOutDiscards	Up to [RFC 2863] and OSSI Annex B.1
ifOutErrors	Up to [RFC 2863] and OSSI Annex B.1
ifName	Up to [RFC 2863] and OSSI Annex B.1
ifInMulticastPkts	Up to [RFC 2863] and OSSI Annex B.1
ifInBroadcastPkts	Up to [RFC 2863] and OSSI Annex B.1
ifOutMulticastPkts	Up to [RFC 2863] and OSSI Annex B.1
ifOutBroadcastPkts	Up to [RFC 2863] and OSSI Annex B.1
ifHCInOctets	Up to [RFC 2863] and OSSI Annex B.1
ifHCInUcastPkts	Up to [RFC 2863] and OSSI Annex B.1
ifHCInMulticastPkts	Up to [RFC 2863] and OSSI Annex B.1
ifHCInBroadcastPkts	Up to [RFC 2863] and OSSI Annex B.1
ifHCOctets	Up to [RFC 2863] and OSSI Annex B.1
ifHCOUcastPkts	Up to [RFC 2863] and OSSI Annex B.1
ifHCOMulticastPkts	Up to [RFC 2863] and OSSI Annex B.1
ifHCOBroadcastPkts	Up to [RFC 2863] and OSSI Annex B.1
ifLinkUpDownTrapEnable	Up to [RFC 2863] and OSSI Annex B.1, enable by default
ifHighSpeed	10 Mbit/sec
ifPromiscuousMode	TRUE, read-only access
ifConnectorPresent	Always True(1)
ifAlias	Up to [RFC 2863] and OSSI Annex B.1
ifCounterDiscontinuityTime	Up to [RFC 2863] and OSSI Appendix B

## Annex B IPDR Standards Submission for DOCSIS Cable Data Systems Subscriber Usage Billing Records<sup>1</sup>

**Note:** This appendix is a verbatim copy of the DOCSIS Service Definition submission to IPDR.org. It is included here for information purposes only. All relevant DOCSIS requirements are contained in Section 7.1 of this specification.

### B.1 Service Definition

Cable Data Systems consist of Cable Modem Termination Systems (CMTSes), located at a Multiple Service Operator's (MSO's) head-end office, that provide broadband Internet access to subscribers connected via Cable Modems (CMs) through the Hybrid Fiber Coax (HFC) cable plant. These Cable Data Systems comply with the Data Over Cable Service Interface Specifications (DOCSIS) sponsored by Cable Television Laboratories, Inc. The IPDR format for Cable Data Systems Subscriber Usage Billing Records specified herein support the DOCSIS 1.1 and 2.0 Operations Support System Interface specification (OSSI). The DOCSIS 1.1 and 2.0 OSSI specifications require the CMTS to provide usage-billing records for all bandwidth consumed by the subscribers connected to it via their Cable Modems when polled by the MSO's billing or mediation system.

#### B.1.1 DOCSIS Service Requirements

1. Cable Data Service is "always on". Thus, from the CMTS perspective, there are no subscriber log-on events to track, but rather, in a manner similar to electric power utilities, there are only data traffic flows to meter and police.
2. Cable Data Subscribers are uniquely identified by their Cable Modem MAC addresses (i.e. Ethernet addresses). Note that a CM is usually assigned a dynamic IP address via DHCP, so the IP address of a subscriber may change over time. Since the CM MAC address is constant, it must be used to identify the subscriber's usage billing records. All Internet traffic generated by the subscriber's Customer Premises Equipment (CPE) is bridged by the CM to and from the CMTS. The subscriber's packet and byte (octet) traffic counts are recorded by the CMTS in Service Flow counters associated with the CM MAC address. A CM may have 2 or more Service Flows active during a collection interval. Note that the current IP addresses of the CM and all the CPE in use during the collection interval are recorded for auditing purposes.
3. Cable Data Service is metered and enforced against a Service Level Agreement (SLA) that specifies the Quality of Service (QoS) that an MSO provides to a subscriber. An MSO typically has several Service Packages to offer to their subscribers, such as "Gold", "Silver", or "Bronze". Each of the Service Packages implements a specific SLA and is available for a specific price. A Service Package is implemented by a set of Service Flows that are known to the billing system by their Service Flow IDs (SFIDs) and Service Class Names (SCNs). Service Flows are the unit of billing data collection for a Cable Data Subscriber. In addition, since a subscriber may change their Service Package over time, it is very likely that a given subscriber will have several IPDRs, one for each Service Flow they have used during the collection interval. Basic Service Packages can be offered for legacy DOCSIS 1.0 networks or CMs being provisioned with DOCSIS 1.0 Class of Services.
4. Bandwidth in a Cable Data System is measured separately in both the downstream and upstream directions (relative to the CMTS). Each Service Flow is unidirectional and may be associated with packet traffic of a specific type (e.g. TCP or UDP). Since most SLAs provide for asymmetric bandwidth guarantees, it is necessary to separate the downstream and upstream traffic flows in the billing usage records. Bandwidth used is measured in both packets and octets. If the CM is registered in DOCSIS 1.0 mode, statistics associated to the CM SID are collected for upstream and downstream data flows.

---

<sup>1</sup>. Revised Annex B per ECN OSS2-N-02236 by GO on 02/12/03. Revised Annex B per ECN OSSI v2.0-N-04.0173-7 by GO on 11/17/04.

5. The bandwidth guarantee component of the SLA is enforced and metered by the CMTS with the assistance of the CM. However, the CM is not considered a trusted device because of its location on the Customer's Premises, so the CMTS is expected to provide all of the usage billing information for each subscriber connected to it. SLA metrics are not measured for DOCSIS 1.0 Class of Service type of usage billing records.
6. Since an SLA may require the CMTS to enforce bandwidth limits by dropping or delaying packets that exceed the maximum throughput bandwidth for a Service Flow, the SLA dropped packets counters and delayed packets counters are also included in the usage records for each Service Flow. These counters are not intended to compute billable subscriber usage but rather are available to the billing and customer care systems to enable "up-selling" to subscribers who consistently exceed their subscribed service level. Thus, subscribers whose usage patterns indicate a large number of dropped octets are probably candidates for an upgrade to a higher SLA that supports their true application bandwidth demands which, in turn, generates more revenue for the MSO.
7. The packet and octet values in the usage billing records are based on absolute 64-bit counters maintained in the CMTS. These counters may be reset when the CMTS system resets, therefore the CMTS system up time (CMTSsysUpTime) is included in the IPDRdoc so that the billing or mediation system can correlate counters that appear to regress.

### **B.1.2 DOCSIS IPDR Service Usage Element List**

A DOCSIS IPDR is constructed from a number of elements that describe the IPDR itself, the CMTS that is serving the subscriber, the subscriber's CM and CPE, and the service flow or Service ID attributes and counters. See the set of schemas and the summary table (Table B-1) below.

#### **B.1.2.1 IPDR Information**

##### ***B.1.2.1.1 iPDRcreationTime***

The optional IPDRcreationTime element is not required in DOCSIS IPDRs and MUST NOT be present.<sup>1</sup>

##### ***B.1.2.1.2 seqNum***

The optional seqNum element is not required in DOCSIS IPDRs and MUST NOT be present.

#### **B.1.2.2 CMTS Information**

A DOCSIS IPDR contains the following elements that identify the CMTS that is serving the subscriber. Each IPDR within the IPDRDoc will contain identical values for these elements since all the IPDRs are based on information maintained by the same CMTS.

##### ***B.1.2.2.1 CMTShostName***

CMTShostName is the fully qualified domain name (FQDN) of the CMTS. This element is required and will be null only if the CMTS does not have a domain name. A null FQDN will be represented as <CMTShostName></CMTShostName > or < CMTShostName />.

---

<sup>1</sup> Revised this paragraph per ECN OSSIV2.0-N-05.0209-4 by GO on 3/16/05.

#### ***B.1.2.2.2 CMTSipAddress***

CMTSipAddress is the IPv4 address for the CMTS. This element is formatted in standard decimal dotted notation such as 10.10.100.1. The XDR compact representation of this element is a 32-bit integer. This element is required.

#### ***B.1.2.2.3 CMTSsysUpTime***

The sysUpTime value taken from the CMTS at the time the IPDR record is created, formatted in decimal notation and represented in XDR compact representation as a 32-bit integer. This is the number of 100ths of a second since initialization of the CMTS system or CMTS interface module, whichever is most appropriate for a given CMTS architecture. For any given Service Flow or DOCSIS 1.0 SID reported in an IPDRDoc, it is required that the value be monotonically increased to minimize SFIDs and SIDs reuse within a two reporting intervals, unless the system or interface represented by the sysUpTime value has been reinitialized. If the value has decreased, this can be used by the Collector as a hint that the service flow counters are likely to have regressed. It is specifically not required that the value of CMTSsysUpTime be the same for all records in an IPDRDoc.

#### ***B.1.2.2.4 CMTScatvIfName***

The first 50 characters of the ifName from the Interfaces Group MIB for the row entry corresponding to the CMTS CATV interface (ifType = 127) for this CM. The ifName is defined as (from [RFC 2863]): "The textual name of the interface. The value of this object should be the name of the interface as assigned by the local device and should be suitable for use in commands entered at the device's `console`. This might be a text name, such as `le0` or a simple port number, such as `1`, depending on the interface naming syntax of the device. If several entries in the ifTable together represent a single interface as named by the device, then each will have the same value of ifName. Note that for an agent which responds to SNMP queries concerning an interface on some other (proxied) device, then the value of ifName for such an interface is the proxied device's local name for it. If there is no local name, or this object is otherwise not applicable, then this object contains a zero-length string. This element is required.

#### ***B.1.2.2.5 CMTScatvIfIndex***

The ifIndex for the CMTS CATV interface (described in CMTScatvIfName). This value makes the serviceIdentifier unique. This element is required.

#### ***B.1.2.2.6 CMTSupIfName***

The first 50 characters of the ifName from the Interfaces Group MIB for the row entry corresponding to the CMTS upstream interface for this CM. The ifName element is defined as in Annex B.1.2.2.3. This element is required.

#### ***B.1.2.2.7 CMTSupIfType***

The ifType value of the DOCSIS upstream interface the CM is associated with. If CM is using a regular DOCSIS Upstream Channel it reports a value 129. If the CM is using a DOCSIS 2.0 Upstream Logical Channel (205) it reports 205.

### ***B.1.2.2.8 CMTSdownIfName***

The first 50 characters of the ifName from the Interfaces Group MIB for the row entry corresponding to the CMTS downstream interface for this CM. The ifName element is defined as in Annex B.1.2.2.4. This element is required

### **B.1.2.3 Subscriber Information<sup>1</sup>**

A DOCSIS IPDR contains the following elements that uniquely identify the subscriber. Each IPDR for a given subscriber within the IPDRDoc will contain identical values for these elements.

#### ***B.1.2.3.1 CMmacAddress***

The subscriber is uniquely identified by the CM's MAC address. This is the ethernet address of the cable side of the CM formatted in hyphen '-' delimited hex notation such as a1-b2-c3-d4-e5-f6. This element is required.

#### ***B.1.2.3.2 CMdocsisMode***

The registration mode for this cable modem. Encoded as 10 => 'DOCSIS 1.0', 11 => 'DOCSIS 1.1', or 20 => 'DOCSIS 2.0'.

#### ***B.1.2.3.3 CMipAddress***

The CM is always assigned an IPv4 address on the cable side so that it can be managed via SNMP. This is the IP address assigned by DHCP when the CM last registered with the CMTS. This element is formatted in standard decimal dotted notation such as 10.101.1.123. Note that this address is dynamic and may be different between adjacent IPDRDoc files. This element is required.

#### ***B.1.2.3.4 CMcpeInfoList***

An array of CPE information structures that pertain to a CM during a reporting interval, A CMcpeInfo structure consists of three elements (CMcpeIpAddress, CMcpeMacAddress, and CmcpeFqdn) as follows.

##### ***B.1.2.3.4.1 CMcpeIpAddress***

The IPv4 address assigned to each CPE using this CM during the reporting interval. This element is formatted in standard decimal dotted notation such as 12.12.1.121 and XDR compact encoding of 32-bit unsigned integer. Collectors need to know that using compact representation the type ipV4Addr is encoded as zero, which is understood as an IP address 0.0.0.0. If the CMTS is not tracking CPE IP addresses, then this element will be the null (i.e. <CMcpeIpAddress></CMcpeIpAddress> or <CMcpeIpAddress/>; or '0' in compact representation). This element is required. This element may be non-null only for the default upstream SID/service flow for a CM, and gives the current known CPE IP addresses on the CM's Ethernet interface regardless of the SID/SF from which the CPE IP address was learned. All CPE IP addresses maintained in an ARP table for a cable MAC interface must be reported in this field of at least one IPDR record. It is not expected that CMcpeIpAddress values reported are unique to a single CM, since the CMTS may implement multiple overlapping private IP address spaces.

---

<sup>1</sup>. Removed a reference to CMmdocsisMode per ECN OSSIV2.0-N-05.0209-4 by GO on 3/16/05.

#### **B.1.2.3.4.2 *CMcpeMacAddress***

The Ethernet MAC address of each CPE using this CM during the reporting interval. This element is formatted in colon separated hex values or as 6 hexBinary bytes in the XDR compact encoding. The CMTS normally tracks CPE MAC addresses per CM, but there may be cases where are not reported in this element.(e.g. vendor specific option when CPE IP addresses and is reported as <CMcpeMacAddress></CMcpeMacAddress> or <CmcpeMacAddress/>; or 0 in compact representation). This element may be non-null only for the default upstream SID/service flow for a CM.

#### **B.1.2.3.4.3 *CMcpeFqdn***

The Fully Qualified Domain Name (FQDN per [RFC 1034]) assigned to each CPE using this CM during the reporting interval. If the CMTS is not tracking CPE FQDNs, then this element will be the zero-length string. This element is required. This element includes only CPE FQDNs gleaned by the CMTS, such as from DHCP relay, and otherwise stored in the CMTS for reporting or other purposes. It is not required for the CMTS to query perform reverse DNS query to obtain the FQDN of a CPE IP address otherwise reported in the CMcpeIpAddress field.

### **B.1.2.4 Record Information**

#### **B.1.2.4.1 *Rectype***

The service flow type may be either Interim or Stop. An Interim type indicates a running service flow. A Stop type indicates a terminated service flow. A terminated service flow is only reported once in the IPDRDoc that is created on the cycle after the service flow is deleted. An Interim service flow is reported in each IPDRDoc that is created while it is running. This field is encoded as 1 => 'Interim' or 2 => 'Stop'. This element is required.

#### **B.1.2.4.2 *RecCreationTime*<sup>1</sup>**

This element is required in DOCSIS IPDRs, and is formatted in the same manner as the IPDRDoc creationTime attribute. The RecCreationTime is the Date and Time time stamp of the UTC value in milliseconds, used to reference other elements, based on CMTSsysUpTime value.

**Note:** The time zone is always GMT for DOCSIS IPDRs.

### **B.1.2.5 Service Information**

A DOCSIS IPDR contains the following elements that identify the service flow and contain the counters maintained by the CMTS for that service flow of DOCSIS CMs in 1.1 operational mode.

#### **B.1.2.5.1 *serviceIdentifier***

A service flow (SFID) or DOCSIS 1.0 service ID (SID) known internally to the CMTS relative to its cable CATV (MAC) interface. This value can be used to correlate service flow counters between adjacent IPDRDoc files. To prevent confusion in the billing system is desirable that the CMTS not reuse the serviceIdentifier component for a minimum of 2 collection cycles. Depending of the collection interval and services dynamics this goal may not be practical. As an intermediate solution a DOCSIS 2.0 compliant CMTS MAY assign serviceIdentifier (SFIDs/SIDs) values with a monotonically increasing pattern. This element is required.

---

<sup>1</sup>. Added this subsection per ECN OSSlv2.0-N-05.0209-4 by GO on 3/17/05.

#### **B.1.2.5.2 *serviceClassName***

The Service Class Name (SCN) that is assigned to this service flow by the CMTS. This is the external name associated with a QoS parameter set in the CMTS. The QoS parameter set defines how to treat the packets within a service flow for SLA enforcement purposes. Example SCNs might be GoldUp, GoldDn, SilverUp, SilverDn, PrimaryUp, PrimaryDn, etc. Note that the use of an SCN within the DOCSIS cable interface between the CM and the CMTS is optional, but for billing purposes, it is highly recommended. This element, however, is required within a DOCSIS IPDR and if there is no SCN assigned by the CMTS, then the value of this element is null (i.e. <serviceClassName></serviceClassName> or <serviceClassName/>. Note also that when a CM registers in DOCSIS 1.0 mode there will be no SCNs assigned and this element will be null.

#### **B.1.2.5.3 *serviceDirection***

The service flow direction is either Upstream or Downstream relative to the CMTS cable interface for CMs with DOCSIS QOS provisioning. For DOCSIS COS CM provisioning, direction is 'upstream' for CM upstream records. For CM downstream traffic records, this element is shown as 'downstream'. This element is encoded as 1 => 'Downstream' or 2 => 'Upstream'. This element is required.

#### **B.1.2.5.4 *serviceOctetsPassed***

The current (or final) count of octets passed by this service flow of a CM with DOCSIS QOS provisioning. For DOCSIS COS CM provisioning this is The current (or final) count of octets passed by this SID or CM Downstream packets, depending on serviceDirection. This is in decimal notation and is based on a 64-bit counter value maintained in the CMTS. This counter value will not overflow within the service lifetime of the CMTS. This element is required.

#### **B.1.2.5.5 *servicePktsPassed***

The current (or final) count of packets passed by this service flow for DOCSIS QOS CM provisioning. For DOCSIS COS CM provisioning this is the current (or final) count of packets passed by this SID or CM Downstream packets, depending on serviceDirection. This is based on a 64-bit counter value maintained in the CMTS. This counter value will not overflow within the service lifetime of the CMTS. This element is required.

#### **B.1.2.5.6 *serviceSlaDropPkts***

The current (or final) count of packets dropped by this service flow when enforcing the maximum throughput for this SLA (as implemented by the QoS parameter set for this service flow) set of the DOCSIS QOS CM provisioning. For DOCSIS COS CM provisioning this counter is optional; if not supported a zero value is reported. This is based on a 32-bit counter value maintained in the CMTS. This counter value will not overflow within the service lifetime of the CMTS. This element is required for all service flows. Note that this value is the count of packets dropped by the CMTS for upstream service flows. Upstream packets dropped by the CM are not counted here.

#### **B.1.2.5.7 *serviceSlaDelayPkts***

The current (or final) count of packets delayed by this service flow when enforcing the maximum throughput for this SLA (as implemented by the QoS parameter set for this service flow). set of the DOCSIS QOS CM provisioning. For DOCSIS COS CM provisioning this counter is optional; if not supported a zero value is reported This is based on a 32-bit counter value maintained in the CMTS. This counter value will not overflow within the service lifetime of the CMTS. This element is required for all service flows. Note that this value is the count of packets delayed by the CMTS for upstream service flows. Upstream packets delayed by the CM are not counted here.

**B.1.2.5.8 serviceTimeCreated**

The value of CMTS SysUptime or CMTS interface module, whichever is most appropriate for a given CMTS architecture when Service Flow was created. This element is required. For a given Service Flow instance, this value is required to be the same in every IPDRDoc file until the Service Flow is deleted and no longer being reported. If the value is not consistent between IPDRDoc files, this must be interpreted by the Collector as a completely new Service Flow instance.

**B.1.2.5.9 serviceTimeActive**

The total time that the Service Flow was Active is stated in seconds, and is a required element.<sup>1</sup>

**Table B-1 Service Usage Element Names**

Category	Name	Type	Presence	Possible Values	Remarks
<b>CMTS Information</b>					
Where	CMTShostName	String	Required	e.g.cmts01.mso.com	CMTS's fully qualified domain name (FQDN), if given or null
Where	CMTSipAddress	IPV4Addr	Required	nnn.nnn.nnn.nnn	CMTS's IPv4 address. Canonical IP address in dotted decimal notation
When	CMTSsysUpTime	unsignedInt	Required	nnnnnnnnn	32-bit count of hundredths of a second since CMTS system initialization, in decimal notation
What	CMTScatVfName	String	Required	Us01	Up to 50 characters length string indicating the If-Name of the CATV interface
What	CMTScatVfIndex	unsignedInt	Required	nnnnnnnnn	Value of the IFIndex object for the CATV (MAC) interface used by this cable modem
What	CMTSupIfName	String	Required	Us01	Up to 50 characters length string indicating the If-Name of the logical Upstream Channel

<sup>1</sup>. Revised "Record Information" in Table B-1 per ECN OSSlv2.0-N-05.0209-4 by GO on 3/17/05.

**Table B-1 Service Usage Element Names (Continued)**

Category	Name	Type	Presence	Possible Values	Remarks
What	CMTSupIfType	Integer	Required	129 or 205	The ifType value of the upstream channel associated with the CM. If this corresponds to a DOCSIS upstream channel it reports 129. If this corresponds to a DOCSIS 2.0 upstream logical channels it reports 205
What	CMTSdownIfName	String	Required	Ds02	Up to 50 characters length string indicating the If-Name of the logical Upstream Channel
<b>Subscriber Information</b>					
Who	CMMacAddress	macAddress	Required	hh-hh-hh-hh-hh-hh	Subscriber identified by the Cable Modem MAC address in dash delimited hex notation
Who	CMIpAddress	IPV4Addr	Required	nnn.nnn.nnn.nnn	CM's current IPv4 address. Canonical IP address in dotted decimal notation
What	CMdocsisMode	Integer	Required	10, 11, 20	The DOCSIS registration mode for this CM. Encoded as 10 => "DOCSIS 1.0", 11 => "DOCSIS 1.1",
What	CMcpeInfoList	CMcpeInfo	Required when IPDR/SP supports Array and Struct Types		Contains a CMcpeInfo structures (CMcpeIpAddress, CMcpeMacAddress, CMcpeFqdn) as described below
Who	CMcpeIpAddress	IPV4Addr	Required (CMcpeInfoList)	e.g nn.nn.nn.xx, nn.nn.nn.yy,nn.n n.nn.zz	Current IPv4 address of all CPE using this CM, if any, or zero-length String if none
Who	CMcpeMacAddress	mACAddress	Required (CMcpeInfoList)	e.g. nn:nn:nn:nn:nn:n n	CPE MAC address for this CM, if any, or zero-length String if none

**Table B-1 Service Usage Element Names (Continued)**

Category	Name	Type	Presence	Possible Values	Remarks
Who	CMcpeFqdn	String	Required (CM-cpeInfoList)	e.g Cpe1@cm1.cmts 2.com	The Fully Qualified Domain Name (FQDN, [RFC 1034]) assigned to each CPE using this CM during the reporting interval or zero-length string if none.
<b>Record Information</b>					
What	RecType	Integer	Required	Interim(1)   Stop(2)	Interim identifies running Service Flows or 1.0 CMs SIDs (SF/SIDs). Stop identifies terminated SF/SIDs.
What	RecCreationTime	dateTimeMsec	Required	yyyy-mm-ddThh:mm:ss.mmmZ	UTC time stamp at the time the data for the record was acquired.
<b>Quality of Service (QOS) Information</b>					
What	serviceIdentifier	UnsignedInt	Required	32-bit integer	Service Flow ID of the SF relative to its RFI MAC layer or For DOCSIS COS CM provisioning, the Service Identifier (SID) relative to its RFI MAC layer for CM upstream traffic. For CM downstream traffic records, this element contains the first CM upstream SID.
What	serviceClass-Name	String	Required	e.g. GoldDn, GoldUp,SilverDn, SilverUp	Service Class Name (SCN) of the Service Flow in the CMTS. For DOCSIS 1.0 CM provisioning, this element is empty.
What	serviceDirection	Integer	Required	Downstream(1)   Upstream(2)	Direction of the SF from the CMTS cable interface

**Table B-1 Service Usage Element Names (Continued)**

Category	Name	Type	Presence	Possible Values	Remarks
What	serviceOctetsPassed	Unsigned Long	Required	64-bit counter, in decimal notation	64-bit absolute counter value of octets passed by the Service Flow or For DOCSIS COS CM provisioning The current (or final) count of octets passed by this SID or CM Downstream packets, depending on serviceDirection
What	servicePktsPassed	Unsigned Long	Required	64-bit counter, in decimal notation	64-bit absolute counter value of packets passed by the Service flow of a DOCSIS QOS CM provisioning For DOCSIS COS CM provisioning The current (or final) count of packets passed by this SID or CM Downstream packets, depending on serviceDirection.
What	serviceSlaDropPkts	UnsignedInt	Required	32-bit counter, in decimal notation	32-bit absolute counter value of packets dropped exceeding SLA by this SF of the DOCSIS QOS CM provisioning. For DOCSIS COS CM provisioning. This counter is optional; if not supported a zero value is reported
What	serviceSlaDelayPkts	UnsignedInt	Required	32-bit integer, in decimal notation	32-bit absolute counter value of packets delayed exceeding SLA by this SF of the DOCSIS QOS CM provisioning. For DOCSIS COS CM provisioning, this counter is optional; if not supported a zero value is reported

Table B-1 Service Usage Element Names (Continued)

Category	Name	Type	Presence	Possible Values	Remarks
When	serviceTimeCreated	UnsignedInt	Required	32-bit integer	The value of CMTS sysUptime when Service Flow was created for DOCSIS QOS CM provisioning. For the DOCSIS COS CM provisioning is the time the non-temporary SID is created, for downstream CM traffic it indicates the time the CM registers.
When	serviceTimeActive	UnsignedInt	Required	32-bit integer	The total time that the Service Flow was Active in seconds or the DOCSIS 1.0 CM was registered.

**Note:** Optional Elements: CMcpelpAddress, CMcpeMacAddress, CMcpeFqdn

## B.2 DOCSIS IPDR Subscriber Usage Billing Service Schema

### B.2.1 DOCSIS IPDR Schema File DOCSIS-3.5.1-A.0.xsd<sup>1</sup>

```
<?xml version="1.0" encoding="UTF-8" ?>
<schema xmlns="http://www.w3.org/2001/XMLSchema"
  targetNamespace="http://www.ipdr.org/namespaces/CableLabs(R)/DOCSIS(TM)"
  xmlns:DOCSIS="http://www.ipdr.org/namespaces/CableLabs(R)/DOCSIS(TM)"
  xmlns:ipdr="http://www.ipdr.org/namespaces/IPDR" version="3.5.1-A.0"
  elementFormDefault="qualified" attributeFormDefault="unqualified">
  <import namespace="http://www.ipdr.org/namespaces/IPDR"
    schemaLocation="http://www.ipdr.org/public/IPDRDoc3.5.1.xsd" />
  <include schemaLocation="http://www.ipdr.org/public/IPDRTypes.xsd" />
  <element name="CMTShostName" type="string">
    <annotation>
      <documentation>
        CMTS fully qualified domain name (FQDN), if given.
      </documentation>
    </annotation>
  </element>
  <element name="CMTSipAddress" type="ipdr:ipV4Addr">
    <annotation>
      <documentation>
        CMTS IP address. Canonical IP address in period delimited decimal notation.
      </documentation>
    </annotation>
  </element>
```

<sup>1</sup> Revised this schema per ECN OSSlv2.0-N-05.0209-4 by GO on 3/17/05.

```

<element name="CMTSsysUpTime" type="unsignedInt">
  <annotation>
    <documentation>
      32-bit count of hundredths of a second since system initialization, in decimal notation.
    </documentation>
  </annotation>
</element>
<element name="CMTScatvIfName">
  <annotation>
    <documentation>
      Contains the first 50 characters of the ifName from the Interfaces Group MIB for the row entry corresponding to the CMTS CATV interface (ifType = 127) for this CM.
    </documentation>
  </annotation>
  <simpleType>
    <restriction base="string">
      <maxLength value="50" />
      <minLength value="0" />
    </restriction>
  </simpleType>
</element>
<element name="CMTScatvIfIndex" type="unsignedInt">
  <annotation>
    <documentation>
      The ifIndex for the CMTS CATV interface (described in CMTScatvIfName). This value makes the servicelIdentifier unique.
    </documentation>
  </annotation>
</element>
<element name="CMTSupIfName">
  <annotation>
    <documentation>
      The first 50 characters of the ifName from the Interfaces Group MIB for the row entry corresponding to the CMTS upstream interface for this CM.
    </documentation>
  </annotation>
  <simpleType>
    <restriction base="string">
      <maxLength value="50" />
      <minLength value="0" />
    </restriction>
  </simpleType>
</element>
<element name="CMTSupIfType">
  <annotation>
    <documentation>
      Interface type the CM is registered.
    </documentation>
  </annotation>
  <simpleType>
    <restriction base="integer">
      <enumeration value="129">
        <annotation>
          <documentation>
            <ipdr:enumMeaning>
              CATV Upstream interface
            </ipdr:enumMeaning>
          </documentation>
        </annotation>
      </enumeration>
      <enumeration value="205">

```

```

        <annotation>
          <documentation>
            <ipdr:enumMeaning>
              CATV Upstream Channel interface
            </ipdr:enumMeaning>
          </documentation>
        </annotation>
      </enumeration>
    </restriction>
  </simpleType>
</element>
<element name="CMTSdownIfName">
  <annotation>
    <documentation>
      The first 50 characters of the ifName from the Interfaces Group MIB for the row entry corresponding to the CMTS downstream interface for this CM.
    </documentation>
  </annotation>
  <simpleType>
    <restriction base="string">
      <maxLength value="50" />
      <minLength value="0" />
    </restriction>
  </simpleType>
</element>
<element name="CMmacAddress" type="ipdr:macAddress">
  <annotation>
    <documentation>
      Subscriber identified by Cable Modem MAC Address, in dash delimited hex notation.
    </documentation>
  </annotation>
</element>
<element name="CMdocsisMode">
  <annotation>
    <documentation>
      Registration mode of this cable modem.
    </documentation>
  </annotation>
  <simpleType>
    <restriction base="integer">
      <enumeration value="10">
        <annotation>
          <documentation>
            <ipdr:enumMeaning>
              DOCSIS 1.0
            </ipdr:enumMeaning>
          </documentation>
        </annotation>
      </enumeration>
      <enumeration value="11">
        <annotation>
          <documentation>
            <ipdr:enumMeaning>
              DOCSIS 1.1
            </ipdr:enumMeaning>
          </documentation>
        </annotation>
      </enumeration>
    </restriction>
  </simpleType>
</element>
<element name="CMipAddress" type="ipdr:ipV4Addr">

```

```

    <annotation>
      <documentation>
        CM current IP address. Canonical IP address in period delimited
        decimal notation.
      </documentation>
    </annotation>
  </element>
  <element name="CMcpeIpAddress" type="ipdr:ipV4Addr">
    <annotation>
      <documentation>
        Current IP addresses of a CPE using this CM. One per CPE active during
        the collection interval.
      </documentation>
    </annotation>
  </element>
  <element name="CMcpeMacAddress" type="ipdr:macAddress">
    <annotation>
      <documentation>
        Current IP addresses of CPE using this CM. One per CPE active during
        the collection interval.
      </documentation>
    </annotation>
  </element>
  <element name="CMcpeFqdn" type="string">
    <annotation>
      <documentation>
        Current FQDN of CPE using this CM. One per CPE active during the
        collection interval.
      </documentation>
    </annotation>
  </element>
  <element name="CMcpeInfo">
    <complexType>
      <sequence>
        <element ref="DOCSIS:CMcpeIpAddress" />
        <element ref="DOCSIS:CMcpeMacAddress" />
        <element ref="DOCSIS:CMcpeFqdn" />
      </sequence>
    </complexType>
  </element>
  <element name="CMcpeInfoList">
    <complexType>
      <sequence>
        <element ref="DOCSIS:CMcpeInfo" maxOccurs="unbounded" />
      </sequence>
    </complexType>
  </element>
  <element name="RecType">
    <annotation>
      <documentation>
        Interim identifies running record. Stop identifies the record usage final
        data of a deleted SFID/SID.
      </documentation>
    </annotation>
    <simpleType>
      <restriction base="integer">
        <enumeration value="1">
          <annotation>
            <documentation>
              <ipdr:enumMeaning>
                Interim
              </ipdr:enumMeaning>
            </documentation>
          </annotation>
        </enumeration>
      </restriction>
    </simpleType>
  </element>

```

```

    </enumeration>
    <enumeration value="2">
      <annotation>
        <documentation>
          <ipdr:enumMeaning>
            Stop
          </ipdr:enumMeaning>
        </documentation>
      </annotation>
    </enumeration>
  </restriction>
</simpleType>
</element>
<element name="RecCreationTime" type="dateTimeMsec">
  <annotation>
    <documentation>
      64-bit count of milliseconds UTC time stamp at the time the data for the record was acquired.
    </documentation>
  </annotation>
</element>

<element name="serviceIdentifier" type="unsignedInt">
  <annotation>
    <documentation>
      32-bit Service Flow ID of the SF, in decimal notation.
    </documentation>
  </annotation>
</element>
<element name="serviceClassName" type="string">
  <annotation>
    <documentation>
      Service Class Name (SCN) of the Service Flow.
    </documentation>
  </annotation>
</element>
<element name="serviceDirection">
  <annotation>
    <documentation>
      Direction of the SF from the CMTS cable interface.
    </documentation>
  </annotation>
  <simpleType>
    <restriction base="integer">
      <enumeration value="1">
        <annotation>
          <documentation>
            <ipdr:enumMeaning>
              Downstream
            </ipdr:enumMeaning>
          </documentation>
        </annotation>
      </enumeration>
      <enumeration value="2">
        <annotation>
          <documentation>
            <ipdr:enumMeaning>
              Upstream
            </ipdr:enumMeaning>
          </documentation>
        </annotation>
      </enumeration>
    </restriction>
  </simpleType>

```

```

</element>
<element name="serviceOctetsPassed" type="unsignedLong">
  <annotation>
    <documentation>
      64-bit absolute counter value of octets passed by this SF.
    </documentation>
  </annotation>
</element>
<element name="servicePktsPassed" type="unsignedLong">
  <annotation>
    <documentation>
      64-bit absolute counter value of octets passed by this SF.
    </documentation>
  </annotation>
</element>
<element name="serviceSlaDropPkts" type="unsignedInt">
  <annotation>
    <documentation>
      32-bit absolute counter value of packets dropped exceeding SLA by this SF (Downstream only).
    </documentation>
  </annotation>
</element>
<element name="serviceSlaDelayPkts" type="unsignedInt">
  <annotation>
    <documentation>
      64-bit absolute counter value of packets delayed exceeding SLA by this SF (Downstream only).
    </documentation>
  </annotation>
</element>
<element name="serviceTimeCreated" type="unsignedInt">
  <annotation>
    <documentation />
  </annotation>
</element>
<element name="serviceTimeActive" type="unsignedInt">
  <annotation>
    <documentation />
  </annotation>
</element>
<complexType name="DOCSIS-Type">
  <complexContent>
    <extension base="ipdr:IPDRType">
      <sequence>
        <element ref="DOCSIS:CMTShostName" />
        <element ref="DOCSIS:CMTSipAddress" />
        <element ref="DOCSIS:CMTSsysUpTime" />
        <element ref="DOCSIS:CMTScatvlfName" />
        <element ref="DOCSIS:CMTScatvlfIndex" />
        <element ref="DOCSIS:CMTSuplfName" />
        <element ref="DOCSIS:CMTSuplfType" />
        <element ref="DOCSIS:CMTSdownlfName" />
        <element ref="DOCSIS:CMmacAddress" />
        <element ref="DOCSIS:CMipAddress" />
        <element ref="DOCSIS:CMdocsisMode" />
        <element ref="DOCSIS:CMcpelInfoList" minOccurs="0" />
        <element ref="DOCSIS:RecType" />
        <element ref="DOCSIS:RecCreationTime" />
        <element ref="DOCSIS:serviceIdentifier" />
        <element ref="DOCSIS:serviceName" />
        <element ref="DOCSIS:serviceDirection" />
        <element ref="DOCSIS:serviceOctetsPassed" />
        <element ref="DOCSIS:servicePktsPassed" />
      </sequence>
    </extension>
  </complexContent>
</complexType>

```

```
<element ref="DOCSIS:serviceSlaDropPkts" />
<element ref="DOCSIS:serviceSlaDelayPkts" />
<element ref="DOCSIS:serviceTimeCreated" />
<element ref="DOCSIS:serviceTimeActive" />
</sequence>
</extension>
</complexContent>
</complexType>
</schema>
```

This page intentionally left blank.

## **Annex C SNMPv2c INFORM Request Definition for Subscriber Account Management (SAM) (normative)**

The INFORM Request definition of account management will be specified in this section by the ECR/ECO/ECN process.

This page intentionally left blank.

## Annex D Format and Content for Event, SYSLOG, and SNMP Trap (normative)

The list in this Annex summarizes the format and content for event, syslog, and SNMP trap.

Each row specifies a possible event that may appear in the CM or CMTS. These events are to be reported by a cable device through local event logging, and may be accompanied by syslog or SNMP trap.

The first and second columns indicate in which stage the event happens. The third and fourth columns indicate the priority it is assigned in the CM or CMTS. These priorities are the same as is reported in the docsDevEvLevel object in the cable device MIB and in the LEVEL field of a syslog.

The fifth column specifies the event text, which is reported in the docsDevEvText object of the cable device MIB and the text field of the syslog. The sixth column provides additional information about the event text in the fifth column. Some of the text fields include variable information. The variables are explained in the sixth column. Some of the variables are only required in the SYSLOG and are described in the sixth column too. Additional vendor specific text MAY be added to the end of the event text.<sup>1</sup>

The next column specifies the error code. The eighth column indicates a unique identification number for the event, which is assigned to the docsDevEvId object in the MIB and the <eventId> field of a syslog. The final column specifies the SNMP trap, which notifies this event to a SNMP event receiver.

The rules to uniquely generate an event ID from the error code are described in Section 7.4.2.2.2. Please note that the algorithm in Section 7.4.2.2.2 will generate a hexadecimal number. The event IDs in this list have been converted to decimal integers from the hexadecimal number.

The syslog format is specified in Section 7.4.2.2.2 of this document.

The SNMP traps are defined in the cable device trap MIB.

To better illustrate the table, let us take the example of the first row in the section of DYNAMIC SERVICE REQUEST.

The first and second columns are “Dynamic Services” and “Dynamic Service Request”. The event priority is “Error” in a cable modem and “Warning” in a cable modem termination system. The event Id is 1392509184. The event text is “Service Add rejected - Unspecified reason”. The sixth column reads “For SYSLOG only append: MAC addr: <P1> P1 = Mac Addr of CMTS (for CM) or CM (for CMTS)”. This is a note about the SYSLOG. That is to say, the syslog text body will be of the form “Service Add rejected - Unspecified reason - MAC addr: x1 x2 x3 x4 x5 x6”.

The last column, “TRAP NAME”, is docsDevCmDynServReqFailTrap, docsDevCmtsDynServReqFailTrap. This indicates that the event is notified by the SNMP trap docsDevCmDynServReqFailTrap in a cable modem and docsDevCmtsDynServReqFailTrap in a CMTS.<sup>2 3 4</sup>

<sup>1</sup>. Added the last sentence per ECN OSS2-N-03083 by GO on 11/17/03.

<sup>2</sup>. Revised table on the following page per ECN OSS2-N-02235 by GO on 02/11/03; Revised table on the following page per ECN OSSlv2.0-N-04.0157-1 by GO on 7/8/04.

<sup>3</sup>. Revised Error Code Set E206.0-E208.0 per ECN OSS2-N-03010 by GO on 02/26/03.

<sup>4</sup>. Revised Process BPKM CM PRIORITY per ECN OSS2-N-03017 by GO on 03/20/03.

Processes	Sub-Process	CM Priority	CMTS Priority	Event Message	Message Notes And Details	Error Code Set	Event ID	Trap Name
<b>DOWNSTREAM ACQUISITION FAILED</b>								
Init	DOWN-STREAM ACQUISITION	Critical		SYNC Timing Synchronization failure - Failed to acquire QAM/QPSK symbol timing		T01.0	84000100	
Init	DOWN-STREAM ACQUISITION	Critical		SYNC Timing Synchronization failure - Failed to acquire FEC framing		T02.0	84000200	
Init	DOWN-STREAM ACQUISITION	Critical		SYNC Timing Synchronization failure, Acquired FEC framing - Failed to acquire MPEG2 Sync		T02.1	84000201	
Init	DOWN-STREAM ACQUISITION	Critical		SYNC Timing Synchronization failure - Failed to acquire MAC framing		T03.0	84000300	
Init	DOWN-STREAM ACQUISITION	Critical		SYNC Timing Synchronization failure - Failed to receive MAC SYNC frame within time-out period		T04.0	84000400	
Init	DOWN-STREAM ACQUISITION	Critical		SYNC Timing Synchronization failure - Loss of Sync		T05.0	84000500	
<b>FAILED TO OBTAIN UPSTREAM PARAMETERS</b>								
Init	OBTAIN UP-STREAM PARAMETERS	Critical		No UCDs Received - Timeout		U01.0	85000100	
Init	OBTAIN UP-STREAM PARAMETERS	Critical		UCD invalid or channel unusable		U02.0	85000200	
Init	OBTAIN UP-STREAM PARAMETERS	Critical		UCD & SYNC valid - NO MAPS for this channel		U04.0	85000400	

Processes	Sub-Process	CM Priority	CMTS Priority	Event Message	Message Notes And Details	Error Code Set	Event ID	Trap Name
Init	OBTAIN UP-STREAM PARAMETERS	Critical		US channel wide parameters not set before Burst Descriptors		U06.0	85000600	
<b>MAP Upstream Bandwidth Allocation</b>								
Any	Any	informa-tional	Infor-mation-al	A transmit op-portunity was missed because the MAP arrived too late.		M01.0	77000100	
<b>RANGING FAILED: RNG-REQ RANGING REQUEST</b>								
Init	RANG-ING	Critical		No Maintenance Broadcasts for Ranging opportunities received - T2 time-out		R01.0	82000100	
Init	RANG-ING	Critical		Received Re-sponse to Broadcast Main-tenance Re-quest, But no Unicast Main-tenance oppor-tunities received - T4 time out		R04.0	82000400	
Init	RANG-ING		Warn-ing	No Ranging Re-quests received from POLLED CM (CMTS generated polls).		R101.0	82010100	
Init	RANG-ING		Warn-ing	Retries exhaust-ed for polled CM (report MAC address). After 16 R101.0 errors.		R102.0	82010200	
Init	RANG-ING		Warn-ing	Unable to Suc-cessfully Range CM (report MAC address) Re-tries Exhausted.	Note: this is different from R102.0 in that it was able to try, i.e. got REQs but failed to Range properly.	R103.0	82010300	
Init	RANG-ING		Warn-ing	Failed to re-ceive Periodic RNG-REQ from modem (SID X), timing-out SID.		R104.0	82010400	
<b>RANGING FAILED: RNG-RSP RANGING RESPONSE</b>								
Init	RANG-ING	Critical		No Ranging Re-sponse received - T3 time-out		R02.0	82000200	

Processes	Sub-Process	CM Priority	CMTS Priority	Event Message	Message Notes And Details	Error Code Set	Event ID	Trap Name
Init	RANGING	Critical		Ranging Request Retries exhausted		R03.0	82000300	
Init	RANGING	Critical		Started Unicast Maintenance Ranging - No Response received - T3 timeout		R05.0	82000500	
Init	RANGING	Critical		Unicast Maintenance Ranging attempted - No response - Retries exhausted		R06.0	82000600	
Init	RANGING	Critical		Unicast Ranging Received Abort Response - Re-initializing MAC		R07.0	82000700	
<b>TOD FAILED Before Registration</b>								
Init	TOD	Warning		ToD request sent - No Response received		D04.1	68000401	
Init	TOD	Warning		ToD Response received - Invalid data format		D04.2	68000402	
<b>TOD FAILED After Registration</b>								
TOD		Error		ToD request sent- No Response received		D04.3	68000403	docsDevCm-TODFailTrap
TOD		Error		ToD Response received - Invalid data format		D04.4	68000404	docsDevCm-TODFailTrap
<b>DHCP and TFTP FAILED - before registration</b>								
Init	DHCP	Critical		DHCP FAILED - Discover sent, no offer received		D01.0	68000100	
Init	DHCP	Critical		DHCP FAILED - Request sent, No response		D02.0	68000200	
Init	DHCP	Critical		DHCP FAILED - Requested Info not supported.		D03.0	68000300	
Init	DHCP	Critical		DHCP FAILED - Response doesn't contain ALL the valid fields as described in the RFI spec Annex D		D03.1	68000301	
Init	TFTP	Critical		TFTP failed - Request sent - No Response		D05.0	68000500	

Processes	Sub-Process	CM Priority	CMTS Priority	Event Message	Message Notes And Details	Error Code Set	Event ID	Trap Name
Init	TFTP	Critical		TFTP failed - configuration file NOT FOUND	For SYSLOG only: append: File name = <P1> P1 = requested file name	D06.0	68000600	
Init	TFTP	Critical		TFTP Failed - OUT OF ORDER packets		D07.0	68000700	
Init	TFTP	Critical		TFTP file complete - but failed Message Integrity check MIC	For SYSLOG only: append: File name = <P1> P1 = file name of TFTP file	D08.0	68000800	
Init	TFTP	Critical		TFTP file complete - but missing mandatory TLV		D09.0	68000900	
Init	TFTP	Critical		TFTP Failed - file too big		D10.0	68001000	
Init	TFTP	Critical		TFTP file complete- but doesn't enable 2.0 Mode - conflicts with current US channel type	For SYSLOG only: append: File name = <P1> P1 = file name of TFTP file	D11.0	68001100	
<b>REGISTRATION FAILED (REG-REQ REGISTRATION REQUEST)</b>								
Init	REGISTRATION REQUEST		Warning	Service unavailable - Other	For CMTS SYSLOG only, append: MAC Addr: <P1>. P1 = CM MAC address	I04.0	73000400	docsDevCmtsInitRegReqFailTrap
Init	REGISTRATION REQUEST		Warning	Service unavailable - Unrecognized configuration setting	For CMTS SYSLOG only, append: MAC Addr: <P1>. P1 = CM MAC address	I04.1	73000401	docsDevCmtsInitRegReqFailTrap
Init	REGISTRATION REQUEST		Warning	Service unavailable - Temporarily unavailable	For CMTS SYSLOG only, append: MAC Addr: <P1>. P1 = CM MAC address	I04.2	73000402	docsDevCmtsInitRegReqFailTrap
Init	REGISTRATION REQUEST		Warning	Service unavailable - Permanent	For CMTS SYSLOG only, append: MAC Addr: <P1>. P1 = CM MAC address	I04.3	73000403	docsDevCmtsInitRegReqFailTrap

Process	Sub-Process	CM Priority	CMTS Priority	Event Message	Message Notes And Details	Error Code Set	Event ID	Trap Name
Init	REGISTRATION REQUEST		Warning	Registration rejected authentication failure: CMTS MIC invalid	For CMTS SYSLOG only, append: MAC Addr: <P1>. P1 = CM MAC address	l105.0	73000500	docsDevCmtsInitReqFailTrap
Init	REGISTRATION REQUEST		Warning	REG REQ has Invalid MAC header	For CMTS SYSLOG only, append: MAC Addr: <P1>. P1 = CM MAC address	l101.0	73010100	docsDevCmtsInitReqFailTrap
Init	REGISTRATION REQUEST		Warning	REG REQ has Invalid SID or not in use	For CMTS SYSLOG only, append: MAC Addr: <P1>. P1 = CM MAC address	l102.0	73010200	docsDevCmtsInitReqFailTrap
Init	REGISTRATION REQUEST		Warning	REG REQ missed Required TLVs	For CMTS SYSLOG only, append: MAC Addr: <P1>. P1 = CM MAC address	l104.0	73010400	docsDevCmtsInitReqFailTrap
Init	REGISTRATION REQUEST		Warning	Bad DS FREQ - Format Invalid	For CMTS SYSLOG only, append: MAC Addr: <P1>. P1 = CM MAC address	l105.0	73010500	docsDevCmtsInitReqFailTrap
Init	REGISTRATION REQUEST		Warning	Bad DS FREQ - Not in use	For CMTS SYSLOG only, append: MAC Addr: <P1>. P1 = CM MAC address	l105.1	73010501	docsDevCmtsInitReqFailTrap
Init	REGISTRATION REQUEST		Warning	Bad DS FREQ - Not Multiple of 62500 Hz	For CMTS SYSLOG only, append: MAC Addr: <P1>. P1 = CM MAC address	l105.2	73010502	docsDevCmtsInitReqFailTrap
Init	REGISTRATION REQUEST		Warning	Bad US CH - Invalid or Unassigned	For CMTS SYSLOG only, append: MAC Addr: <P1>. P1 = CM MAC address	l106.0	73010600	docsDevCmtsInitReqFailTrap
Init	REGISTRATION REQUEST		Warning	Bad US CH - Change followed with (RE-) Registration REQ	For CMTS SYSLOG only, append: MAC Addr: <P1>. P1 = CM MAC address	l106.1	73010601	docsDevCmtsInitReqFailTrap

Processes	Sub-Process	CM Priority	CMTS Priority	Event Message	Message Notes And Details	Error Code Set	Event ID	Trap Name
Init	REGISTRATION REQUEST		Warning	Bad US CH - Overload	For CMTS SYSLOG only, append: MAC Addr: <P1>. P1 = CM MAC address	I107.0	73010700	docsDevCmtsInitReqFailTrap
Init	REGISTRATION REQUEST		Warning	Network Access has Invalid Parameter	For CMTS SYSLOG only, append: MAC Addr: <P1>. P1 = CM MAC address	I108.0	73010800	docsDevCmtsInitReqFailTrap
Init	REGISTRATION REQUEST		Warning	Bad Class of Service - Invalid Configuration	For CMTS SYSLOG only, append: MAC Addr: <P1>. P1 = CM MAC address	I109.0	73010900	docsDevCmtsInitReqFailTrap
Init	REGISTRATION REQUEST		Warning	Bad Class of Service - Unsupported class	For CMTS SYSLOG only, append: MAC Addr: <P1>. P1 = CM MAC address	I110.0	73011000	docsDevCmtsInitReqFailTrap
Init	REGISTRATION REQUEST		Warning	Bad Class of Service - Invalid class ID or out of range	For CMTS SYSLOG only, append: MAC Addr: <P1>. P1 = CM MAC address	I111.0	73011100	docsDevCmtsInitReqFailTrap
Init	REGISTRATION REQUEST		Warning	Bad Max DS Bit Rate - Invalid Format	For CMTS SYSLOG only, append: MAC Addr: <P1>. P1 = CM MAC address	I112.0	73011200	docsDevCmtsInitReqFailTrap
Init	REGISTRATION REQUEST		Warning	Bad Max DS Bit Rate Unsupported Setting	For CMTS SYSLOG only, append: MAC Addr: <P1>. P1 = CM MAC address	I112.1	73011201	docsDevCmtsInitReqFailTrap
Init	REGISTRATION REQUEST		Warning	Bad Max US Bit - Invalid Format	For CMTS SYSLOG only, append: MAC Addr: <P1>. P1 = CM MAC address	I113.0	73011300	docsDevCmtsInitReqFailTrap
Init	REGISTRATION REQUEST		Warning	Bad Max US Bit Rate - Unsupported Setting	For CMTS SYSLOG only, append: MAC Addr: <P1>. P1 = CM MAC address	I113.1	73011301	docsDevCmtsInitReqFailTrap

Processes	Sub-Process	CM Priority	CMTS Priority	Event Message	Message Notes And Details	Error Code Set	Event ID	Trap Name
Init	REGISTRATION REQUEST		Warning	Bad US Priority Configuration - Invalid Format	For CMTS SYSLOG only, append: MAC Addr: <P1>. P1 = CM MAC address	I114.0	73011400	docsDevCmtsInitReqFailTrap
Init	REGISTRATION REQUEST		Warning	Bad US Priority Configuration - Setting out of Range	For CMTS SYSLOG only, append: MAC Addr: <P1>. P1 = CM MAC address	I114.1	73011401	docsDevCmtsInitReqFailTrap
Init	REGISTRATION REQUEST		Warning	Bad Guaranteed Min US CH Bit rate Configuration setting - Invalid Format	For CMTS SYSLOG only, append: MAC Addr: <P1>. P1 = CM MAC address	I115.0	73011500	docsDevCmtsInitReqFailTrap
Init	REGISTRATION REQUEST		Warning	Bad Guaranteed Min US CH Bit rate Configuration setting - Exceed Max US Bit Rate	For CMTS SYSLOG only, append: MAC Addr: <P1>. P1 = CM MAC address	I115.1	73011501	docsDevCmtsInitReqFailTrap
Init	REGISTRATION REQUEST		Warning	Bad Guaranteed Min US CH Bit rate Configuration setting - Out of Range	For CMTS SYSLOG only, append: MAC Addr: <P1>. P1 = CM MAC address	I115.2	73011502	docsDevCmtsInitReqFailTrap
Init	REGISTRATION REQUEST		Warning	Bad Max US CH Transmit Burst configuration setting - Invalid Format	For CMTS SYSLOG only, append: MAC Addr: <P1>. P1 = CM MAC address	I116.0	73011600	docsDevCmtsInitReqFailTrap
Init	REGISTRATION REQUEST		Warning	Bad Max US CH Transmit Burst configuration setting - Out of Range	For CMTS SYSLOG only, append: MAC Addr: <P1>. P1 = CM MAC address	I116.1	73011601	docsDevCmtsInitReqFailTrap
Init	REGISTRATION REQUEST		Warning	Invalid Modem Capabilities configuration setting	For CMTS SYSLOG only, append: MAC Addr: <P1>. P1 = CM MAC address	I117.0	73011700	docsDevCmtsInitReqFailTrap
Init	REGISTRATION REQUEST		Warning	Configuration file contains parameter with the value outside of the range	For CMTS SYSLOG only, append: MAC Addr: <P1>. P1 = CM MAC address	I118.0	73011800	docsDevCmtsInitReqFailTrap

Processes	Sub-Process	CM Priority	CMTS Priority	Event Message	Message Notes And Details	Error Code Set	Event ID	Trap Name
<b>Version 1.1 and 2.0 Specific REG-REQ REGISTRATION REQUEST</b>								
Init	1.1 and 2.0 SPECIFIC REGISTRATION REQUEST		Warning	REG REQ rejected - Unspecified reason	For CMTS SYSLOG only, append: MAC Addr: <P1>. P1 = CM MAC address	I201.0	73020100	docsDevCmtsInitReqFailTrap
Init	1.1 and 2.0 SPECIFIC REGISTRATION REQUEST		Warning	REG REQ rejected - Unrecognized configuration setting	For CMTS SYSLOG only, append: MAC Addr: <P1>. P1 = CM MAC address	I201.1	73020101	docsDevCmtsInitReqFailTrap
Init	1.1 and 2.0 SPECIFIC REGISTRATION REQUEST		Warning	REG REQ rejected - temporary no resource	For CMTS SYSLOG only, append: MAC Addr: <P1>. P1 = CM MAC address	I201.2	73020102	docsDevCmtsInitReqFailTrap
Init	1.1 and 2.0 SPECIFIC REGISTRATION REQUEST		Warning	REG REQ rejected - Permanent administrative	For CMTS SYSLOG only, append: MAC Addr: <P1>. P1 = CM MAC address	I201.3	73020103	docsDevCmtsInitReqFailTrap
Init	1.1 and 2.0 SPECIFIC REGISTRATION REQUEST		Warning	REG REQ rejected - Required parameter not present <P1>	P1 = TLV typelt is up to the vendor to support 1 or maneuver CMTS SYSLOG only, append: MAC Addr: <P2>. P2 = CM MAC address	I201.4	73020104	docsDevCmtsInitReqFailTrap
Init	1.1 and 2.0 SPECIFIC REGISTRATION REQUEST		Warning	REG REQ rejected - Header suppression setting not supported	For CMTS SYSLOG only, append: MAC Addr: <P1>. P1 = CM MAC address	I201.5	73020105	docsDevCmtsInitReqFailTrap
Init	1.1 and 2.0 SPECIFIC REGISTRATION REQUEST		Warning	REG REQ rejected - Multiple errors	For CMTS SYSLOG only, append: MAC Addr: <P1>. P1 = CM MAC address	I201.6	73020106	docsDevCmtsInitReqFailTrap

Processes	Sub-Process	CM Priority	CMTS Priority	Event Message	Message Notes And Details	Error Code Set	Event ID	Trap Name
Init	1.1 and 2.0 SPECIFIC REGISTRATION REQUEST		Warning	REG REQ rejected - duplicate reference-ID or index in message	For CMTS SYSLOG only, append: MAC Addr: <P1>. P1 = CM MAC address	I201.7	73020107	docsDevCmtsInitReqFailTrap
Init	1.1 and 2.0 SPECIFIC REGISTRATION REQUEST		Warning	REG REQ rejected - parameter invalid for context <P1>	P1 = TLV parameterFor CMTS SYSLOG only, append: MAC Addr: <P2>. P2 = CM MAC address	I201.8	73020108	docsDevCmtsInitReqFailTrap
Init	1.1 and 2.0 SPECIFIC REGISTRATION REQUEST		Warning	REG REQ rejected - Authorization failure	For CMTS SYSLOG only, append: MAC Addr: <P1>. P1 = CM MAC address	I201.9	73020109	docsDevCmtsInitReqFailTrap
Init	1.1 and 2.0 SPECIFIC REGISTRATION REQUEST		Warning	REG REQ rejected - Major service flow error	For CMTS SYSLOG only, append: MAC Addr: <P2>. P2 = CM MAC address	I201.10	73020110	docsDevCmtsInitReqFailTrap
Init	1.1 and 2.0 SPECIFIC REGISTRATION REQUEST		Warning	REG REQ rejected - Major classifier error	For CMTS SYSLOG only, append: MAC Addr: <P2>. P2 = CM MAC address	I201.11	73020111	docsDevCmtsInitReqFailTrap
Init	1.1 and 2.0 SPECIFIC REGISTRATION REQUEST		Warning	REG REQ rejected - Major PHS rule error	For CMTS SYSLOG only, append: MAC Addr: <P2>. P2 = CM MAC address	I201.12	73020112	docsDevCmtsInitReqFailTrap
Init	1.1 and 2.0 SPECIFIC REGISTRATION REQUEST		Warning	REG REQ rejected - Multiple major errors	For CMTS SYSLOG only, append: MAC Addr: <P1>. P1 = CM MAC address	I201.13	73020113	docsDevCmtsInitReqFailTrap
Init	1.1 and 2.0 SPECIFIC REGISTRATION REQUEST		Warning	REG REQ rejected - Message syntax error <P1>	P1 = massager CMTS SYSLOG only, append: MAC Addr: <P2>. P2 = CM MAC address	I201.14	73020114	docsDevCmtsInitReqFailTrap

Processes	Sub-Process	CM Priority	CMTS Priority	Event Message	Message Notes And Details	Error Code Set	Event ID	Trap Name
Init	1.1 and 2.0 SPECIFIC REGISTRATION REQUEST		Warning	REG REQ rejected - Primary service flow error <P1>	P1 = Service Flow ReferenceFor CMTS SYSLOG only, append: MAC Addr: <P2>. P2 = CM MAC address	I201.15	73020115	docsDevCmtsInitRegReqFailTrap
	1.1 and 2.0 SPECIFIC REGISTRATION REQUEST		Warning	REG REQ rejected - Message too big <P1>	P1 = # of charactersFor CMTS SYSLOG only, append: MAC Addr: <P2>. P2 = CM MAC address	I201.16	73020116	docsDevCmtsInitRegReqFailTrap
<b>REG-RSP REGISTRATION RESPONSE</b>								
Init	REGISTRATION RESPONSE	Critical		REG-RSP - invalid format or not recognized		I01.0	73000100	
Init	REGISTRATION RESPONSE	Critical		REG RSP not received		I02.0	73000200	
Init	REGISTRATION RESPONSE	Critical		REG RSP bad SID <P1>		I03.0	73000300	
<b>Version 1.1 and 2.0 Specific REG-RSP</b>								
Init	1.1 and 2.0 SPECIFIC REGISTRATION RESPONSE	Critical		REG RSP contains service flow parameters that CM cannot support <P1>	P1 = Service Flow ID	I251.0	73025100	
Init	1.1 and 2.0 SPECIFIC REGISTRATION RESPONSE	Critical		REG RSP contains classifier parameters that CM cannot support <P1>	P1 = Service Flow ID	I251.1	73025101	
Init	1.1 and 2.0 SPECIFIC REGISTRATION RESPONSE	Critical		REG RSP contains PHS parameters that CM cannot support <P1>	P1 = Service Flow ID	I251.2	73025102	

Processes	Sub-Process	CM Priority	CMTS Priority	Event Message	Message Notes And Details	Error Code Set	Event ID	Trap Name
Init	1.1 and 2.0 SPECIFIC REGISTRATION RESPONSE	Critical		Registration RSP rejected unspecified reason		I251.3	73025103	
Init	1.1 and 2.0 SPECIFIC REGISTRATION RESPONSE	Critical		Registration RSP rejected message syntax error <P1>	P1 = message	I251.4	73025104	
Init	1.1 and 2.0 SPECIFIC REGISTRATION RESPONSE	Critical		Registration RSP rejected message too big <P1>	P1 = # of characters	I251.5	73025105	
<b>Version 2.0 Specific REG-RSP</b>								
Init	2.0 SPECIFIC REGISTRATION RESPONSE	Warning		REG-RSP received after REG-ACK. Returning to 1.x transmit mode		I261.0	73026100	
<b>REG-ACK REGISTRATION ACKNOWLEDGEMENT</b>								
Init	REGISTRATION ACKNOWLEDGEMENT		Warning	REG aborted no REG-ACK	For CMTS SYSLOG only, append: MAC Addr: <P1>. P1 = CM MAC address	I301.0	73030100	docsDevCmtsInitRegAckFailTrap
Init	REGISTRATION Acknowledgement		Warning	REG ACK rejected unspecified reason	For CMTS SYSLOG only, append: MAC Addr: <P1>. P1 = CM MAC address	I302.0	73030200	docsDevCmtsInitRegAckFailTrap
Init	REGISTRATION ACKNOWLEDGEMENT		Warning	REG ACK rejected message syntax error	For CMTS SYSLOG only, append: MAC Addr: <P1>. P1 = CM MAC address	I303.0	73030300	docsDevCmtsInitRegAckFailTrap
<b>TLV-11 Failures</b>								
Init	TLV-11 PARSING	Notice		TLV-11 - unrecognized OID		I401.0	73040100	docsDevCmInitTLVUnknownTrap
Init	TLV-11 PARSING	Critical		TLV-11 - Illegal Set operation failed		I402.0	73040200	docsDevCmInitTLVUnknownTrap

Processes	Sub-Process	CM Priority	CMTS Priority	Event Message	Message Notes And Details	Error Code Set	Event ID	Trap Name
Init	TLV-11 PARSING	Critical		TLV-11 - Failed to set duplicate elements		I403.0	73040300	docsDevCmInitTLVUnknownTrap
<b>SW UPGRADE INIT</b>								
SW Upgrade	SW UPGRADE INIT	Notice		SW Download INIT - Via NMS	For SYSLOG only, append: SW file: <P1> - SW server: <P2>. P1 = SW file name and P2 = Tftp server IP address	E101.0	69010100	docsDevCm-SwUpgradeInitTrap
SW Upgrade	SW UPGRADE INIT	Notice		SW Download INIT - Via Config file <P1>	P1 = CM config file nameFor SYSLOG only, append: SW file: <P2> - SW server: <P3>. P2 = SW file name and P3 = Tftp server IP address	E102.0	69010200	docsDevCm-SwUpgradeInitTrap
<b>SW UPGRADE GENERAL FAILURE</b>								
SW Upgrade	SW UPGRADE GENERAL FAILURE	Error		SW Upgrade Failed during download - Max retry exceed (3)	For SYSLOG only, append: SW file: <P1> - SW server: <P2>. P1 = SW file name and P2 = Tftp server IP address	E103.0	69010300	docsDevCm-SwUpgrade-FailTrap
SW Upgrade	SW UPGRADE GENERAL FAILURE	Error		SW Upgrade Failed Before Download - Server not Present	For SYSLOG only, append: SW file: <P1> - SW server: <P2>. P1 = SW file name and P2 = Tftp server IP address	E104.0	69010400	docsDevCm-SwUpgrade-FailTrap
SW Upgrade	SW UPGRADE GENERAL FAILURE	Error		SW upgrade Failed before download - File not Present	For SYSLOG only, append: SW file: <P1> - SW server: <P2>. P1 = SW file name and P2 = Tftp server IP address	E105.0	69010500	docsDevCm-SwUpgrade-FailTrap
SW Upgrade	SW UPGRADE GENERAL FAILURE	Error		SW upgrade Failed before download -TFTP Max Retry Exceeded	For SYSLOG only, append: SW file: <P1> - SW server: <P2>. P1 = SW file name and P2 = Tftp server IP address	E106.0	69010600	docsDevCm-SwUpgrade-FailTrap

Processes	Sub-Process	CM Priority	CMTS Priority	Event Message	Message Notes And Details	Error Code Set	Event ID	Trap Name
SW Upgrade	SW UPGRADE GENERAL FAILURE	Error		SW upgrade Failed after download -Incompatible SW file	For SYSLOG only, append: SW file: <P1> - SW server: < P2>. P1 = SW file name and P2 = Tftp server IP address	E107.0	69010700	docsDevCm-SwUpgrade-FailTrap
SW Upgrade	SW UPGRADE GENERAL FAILURE	Error		SW upgrade Failed after download - SW File corruption	For SYSLOG only, append: SW file: <P1> - SW server: < P2>. P1 = SW file name and P2 = Tftp server IP address	E108.0	69010800	docsDevCm-SwUpgrade-FailTrap
SW Upgrade	SW UPGRADE GENERAL FAILURE	Error		Disruption during SW download - Power Failure	For SYSLOG only, append: SW file: <P1> - SW server: < P2>. P1 = SW file name and P2 = Tftp server IP address	E109.0	69010900	docsDevCm-SwUpgrade-FailTrap
SW Upgrade	SW UPGRADE GENERAL FAILURE	Error		Disruption during SW download - RF removed	For SYSLOG only, append: SW file: <P1> - SW server: < P2>. P1 = SW file name and P2 = Tftp server IP address	E110.0	69011000	docsDevCm-SwUpgrade-FailTrap
<b>SW UPGRADE SUCCESS</b>								
SW Upgrade	SW UPGRADE SUCCESS	Notice		SW download Successful - Via NMS	For SYSLOG only, append: SW file: <P1> - SW server: < P2>. P1 = SW file name and P2 = Tftp server IP address	E111.0	69011100	docsDevCm-SwUpgradeSuccessTrap
SW Upgrade	SW UPGRADE SUCCESS	Notice		SW download Successful - Via Config file	For SYSLOG only, append: SW file: <P1> - SW server: < P2>. P1 = SW file name and P2 = Tftp server IP address	E112.0	69011200	docsDevCm-SwUpgradeSuccessTrap
<b>DHCP FAILURE AFTER CM HAS REGISTERED WITH THE CMTS</b>								
DHCP		Error		DHCP RENEW sent - No response		D101.0	68010100	docsDevCm-DHCPFailTrap
DHCP		Error		DHCP REBIND sent - No response		D102.0	68010200	docsDevCm-DHCPFailTrap

Processes	Sub-Process	CM Priority	CMTS Priority	Event Message	Message Notes And Details	Error Code Set	Event ID	Trap Name
DHCP		Error		DHCP RENEW sent - Invalid DHCP option		D103.0	68010300	docsDevCm-DHCPFail-Trap
DHCP		Error		DHCP REBIND sent - Invalid DHCP option		D104.0	68010400	docsDevCm-DHCPFail-Trap
<b>DYNAMIC SERVICE REQUEST</b>								
DY-NAMIC SERVICES	DYNAM-IC SERVICE REQUEST	Error	Warning	Service Add rejected - Unspecified reason	For SYSLOG only append: MAC addr: <P1> P1 = Mac Addr of CMTS (for CM) or CM (for CMTS)	S01.0	83000100	docsDevCm-DynServReq-FailTrap, docsDevCmtsDyn-ServReqFail-Trap
DY-NAMIC SERVICES	DYNAM-IC SERVICE REQUEST	Error	Warning	Service Add rejected - Unrecognized configuration setting	For SYSLOG only append: MAC addr: <P1> P1 = Mac Addr of CMTS (for CM) or CM (for CMTS)	S01.1	83000101	docsDevCm-DynServReq-FailTrap, docsDevCmtsDyn-ServReqFail-Trap
DY-NAMIC SERVICES	DYNAM-IC SERVICE REQUEST	Error	Warning	Service Add rejected - Temporary no resource	For SYSLOG only append: MAC addr: <P1> P1 = Mac Addr of CMTS (for CM) or CM (for CMTS)	S01.2	83000102	docsDevCm-DynServReq-FailTrap, docsDevCmtsDyn-ServReqFail-Trap
DY-NAMIC SERVICES	DYNAM-IC SERVICE REQUEST	Error	Warning	Service Add rejected - Permanent administrative	For SYSLOG only append: MAC addr: <P1> P1 = Mac Addr of CMTS (for CM) or CM (for CMTS)	S01.3	83000103	docsDevCm-DynServReq-FailTrap, docsDevCmtsDyn-ServReqFail-Trap
DY-NAMIC SERVICES	DYNAM-IC SERVICE REQUEST	Error	Warning	Service Add rejected - Required parameter not present	For SYSLOG only append: MAC addr: <P1> P1 = Mac Addr of CMTS (for CM) or CM (for CMTS)	S01.4	83000104	docsDevCm-DynServReq-FailTrap, docsDevCmtsDyn-ServReqFail-Trap
DY-NAMIC SERVICES	DYNAM-IC SERVICE REQUEST	Error	Warning	Service Add rejected - Header suppression setting not supported	For SYSLOG only append: MAC addr: <P1> P1 = Mac Addr of CMTS (for CM) or CM (for CMTS)	S01.5	83000105	docsDevCm-DynServReq-FailTrap, docsDevCmtsDyn-ServReqFail-Trap

Processes	Sub-Process	CM Priority	CMTS Priority	Event Message	Message Notes And Details	Error Code Set	Event ID	Trap Name
DYNAMIC SERVICES	DYNAMIC SERVICE REQUEST	Error		Service Add rejected - Service flow exists	For SYSLOG only append: MAC addr: <P1> P1 = Mac Addr of CMTS (for CM) or CM (for CMTS)	S01.6	83000106	docsDevCm-DynServReq-FailTrap, docsDevCmtsDyn-ServReqFail-Trap
DYNAMIC SERVICES	DYNAMIC SERVICE REQUEST	Error	Warning	Service Add rejected - HMAC Auth failure	For SYSLOG only append: MAC addr: <P1> P1 = Mac Addr of CMTS (for CM) or CM (for CMTS)	S01.7	83000107	docsDevCm-DynServReq-FailTrap, docsDevCmtsDyn-ServReqFail-Trap
DYNAMIC SERVICES	DYNAMIC SERVICE REQUEST	Error	Warning	Service Add rejected - Add aborted	For SYSLOG only append: MAC addr: <P1> P1 = Mac Addr of CMTS (for CM) or CM (for CMTS)	S01.8	83000108	docsDevCm-DynServReq-FailTrap, docsDevCmtsDyn-ServReqFail-Trap
DYNAMIC SERVICES	DYNAMIC SERVICE REQUEST	Error	Warning	Service Add rejected - Multiple errors	For SYSLOG only append: MAC addr: <P1> P1 = Mac Addr of CMTS (for CM) or CM (for CMTS)	S01.9	83000109	docsDevCm-DynServReq-FailTrap, docsDevCmtsDyn-ServReqFail-Trap
DYNAMIC SERVICES	DYNAMIC SERVICE REQUEST	Error	Warning	Service Add rejected - Classifier not found	For SYSLOG only append: MAC addr: <P1> P1 = Mac Addr of CMTS (for CM) or CM (for CMTS)	S01.10	83000110	docsDevCm-DynServReq-FailTrap, docsDevCmtsDyn-ServReqFail-Trap
DYNAMIC SERVICES	DYNAMIC SERVICE REQUEST	Error		Service Add rejected - Classifier exists	For SYSLOG only append: MAC addr: <P1> P1 = Mac Addr of CMTS (for CM) or CM (for CMTS)	S01.11	83000111	docsDevCm-DynServReq-FailTrap, docsDevCmtsDyn-ServReqFail-Trap
DYNAMIC SERVICES	DYNAMIC SERVICE REQUEST	Error	Warning	Service Add rejected - PHS rule exists	For SYSLOG only append: MAC addr: <P1> P1 = Mac Addr of CMTS (for CM) or CM (for CMTS)	S01.13	83000113	docsDevCm-DynServReq-FailTrap, docsDevCmtsDyn-ServReqFail-Trap

Processes	Sub-Process	CM Priority	CMTS Priority	Event Message	Message Notes And Details	Error Code Set	Event ID	Trap Name
DYNAMIC SERVICES	DYNAMIC SERVICE REQUEST	Error	Warning	Service Add rejected - Duplicated reference-ID or index in message	For SYSLOG only append: MAC addr: <P1> P1 = Mac Addr of CMTS (for CM) or CM (for CMTS)	S01.14	83000114	docsDevCm-DynServReq-FailTrap, docsDevCmtsDyn-ServReqFail-Trap
DYNAMIC SERVICES	DYNAMIC SERVICE REQUEST	Error	Warning	Service Add rejected - Multiple upstream flows	For SYSLOG only append: MAC addr: <P1> P1 = Mac Addr of CMTS (for CM) or CM (for CMTS)	S01.15	83000115	docsDevCm-DynServReq-FailTrap, docsDevCmtsDyn-ServReqFail-Trap
DYNAMIC SERVICES	DYNAMIC SERVICE REQUEST	Error	Warning	Service Add rejected - Multiple downstream flows	For SYSLOG only append: MAC addr: <P1> P1 = Mac Addr of CMTS (for CM) or CM (for CMTS)	S01.16	83000116	docsDevCm-DynServReq-FailTrap, docsDevCmtsDyn-ServReqFail-Trap
DYNAMIC SERVICES	DYNAMIC SERVICE REQUEST	Error	Warning	Service Add rejected - Classifier for another flow	For SYSLOG only append: MAC addr: <P1> P1 = Mac Addr of CMTS (for CM) or CM (for CMTS)	S01.17	83000117	docsDevCm-DynServReq-FailTrap, docsDevCmtsDyn-ServReqFail-Trap
DYNAMIC SERVICES	DYNAMIC SERVICE REQUEST	Error	Warning	Service Add rejected - PHS rule for another flow	For SYSLOG only append: MAC addr: <P1> P1 = Mac Addr of CMTS (for CM) or CM (for CMTS)	S01.18	83000118	docsDevCm-DynServReq-FailTrap, docsDevCmtsDyn-ServReqFail-Trap
DYNAMIC SERVICES	DYNAMIC SERVICE REQUEST	Error	Warning	Service Add rejected - Parameter invalid for context	For SYSLOG only append: MAC addr: <P1> P1 = Mac Addr of CMTS (for CM) or CM (for CMTS)	S01.19	83000119	docsDevCm-DynServReq-FailTrap, docsDevCmtsDyn-ServReqFail-Trap
DYNAMIC SERVICES	DYNAMIC SERVICE REQUEST	Error	Warning	Service Add rejected - Authorization failure	For SYSLOG only append: MAC addr: <P1> P1 = Mac Addr of CMTS (for CM) or CM (for CMTS)	S01.20	83000120	docsDevCm-DynServReq-FailTrap, docsDevCmtsDyn-ServReqFail-Trap

Processes	Sub-Process	CM Priority	CMTS Priority	Event Message	Message Notes And Details	Error Code Set	Event ID	Trap Name
DYNAMIC SERVICES	DYNAMIC SERVICE REQUEST	Error	Warning	Service Add rejected - Major service flow error	For SYSLOG only append: MAC addr: <P1> P1 = Mac Addr of CMTS (for CM) or CM (for CMTS)	S01.21	83000121	docsDevCm-DynServReq-FailTrap, docsDevCmtsDyn-ServReqFail-Trap
DYNAMIC SERVICES	DYNAMIC SERVICE REQUEST	Error	Warning	Service Add rejected - Major classifier error	For SYSLOG only append: MAC addr: <P1> P1 = Mac Addr of CMTS (for CM) or CM (for CMTS)	S01.22	83000122	docsDevCm-DynServReq-FailTrap, docsDevCmtsDyn-ServReqFail-Trap
DYNAMIC SERVICES	DYNAMIC SERVICE REQUEST	Error	Warning	Service Add rejected - Major PHS rule error	For SYSLOG only append: MAC addr: <P1> P1 = Mac Addr of CMTS (for CM) or CM (for CMTS)	S01.23	83000123	docsDevCm-DynServReq-FailTrap, docsDevCmtsDyn-ServReqFail-Trap
DYNAMIC SERVICES	DYNAMIC SERVICE REQUEST	Error	Warning	Service Add rejected - Multiple major errors	For SYSLOG only append: MAC addr: <P1> P1 = Mac Addr of CMTS (for CM) or CM (for CMTS)	S01.24	83000124	docsDevCm-DynServReq-FailTrap, docsDevCmtsDyn-ServReqFail-Trap
DYNAMIC SERVICES	DYNAMIC SERVICE REQUEST	Error	Warning	Service Add rejected - Message syntax error	For SYSLOG only append: MAC addr: <P1> P1 = Mac Addr of CMTS (for CM) or CM (for CMTS)	S01.25	83000125	docsDevCm-DynServReq-FailTrap, docsDevCmtsDyn-ServReqFail-Trap
DYNAMIC SERVICES	DYNAMIC SERVICE REQUEST	Error	Warning	Service Add rejected - Message too big	For SYSLOG only append: MAC addr: <P1> P1 = Mac Addr of CMTS (for CM) or CM (for CMTS)	S01.26	83000126	docsDevCm-DynServReq-FailTrap, docsDevCmtsDyn-ServReqFail-Trap
DYNAMIC SERVICES	DYNAMIC SERVICE REQUEST	Error	Warning	Service Add rejected - Temporary DCC	For SYSLOG only append: MAC addr: <P1> P1 = Mac Addr of CMTS (for CM) or CM (for CMTS)	S01.27	83000127	docsDevCm-DynServReq-FailTrap, docsDevCmtsDyn-ServReqFail-Trap

Processes	Sub-Process	CM Priority	CMTS Priority	Event Message	Message Notes And Details	Error Code Set	Event ID	Trap Name
DYNAMIC SERVICES	DYNAMIC SERVICE REQUEST	Error	Warning	Service Change rejected - Unspecified reason	For SYSLOG only append: MAC addr: <P1> P1 = Mac Addr of CMTS (for CM) or CM (for CMTS)	S02.0	83000200	docsDevCm-DynServReq-FailTrap, docsDevCmtsDyn-ServReqFail-Trap
DYNAMIC SERVICES	DYNAMIC SERVICE REQUEST	Error	Warning	Service Change rejected - Unrecognized configuration setting	For SYSLOG only append: MAC addr: <P1> P1 = Mac Addr of CMTS (for CM) or CM (for CMTS)	S02.1	83000201	docsDevCm-DynServReq-FailTrap, docsDevCmtsDyn-ServReqFail-Trap
DYNAMIC SERVICES	DYNAMIC SERVICE REQUEST	Error	Warning	Service Change rejected - Temporary no resource	For SYSLOG only append: MAC addr: <P1> P1 = Mac Addr of CMTS (for CM) or CM (for CMTS)	S02.2	83000202	docsDevCm-DynServReq-FailTrap, docsDevCmtsDyn-ServReqFail-Trap
DYNAMIC SERVICES	DYNAMIC SERVICE REQUEST	Error	Warning	Service Change rejected - Permanent administrative	For SYSLOG only append: MAC addr: <P1> P1 = Mac Addr of CMTS (for CM) or CM (for CMTS)	S02.3	83000203	docsDevCm-DynServReq-FailTrap, docsDevCmtsDyn-ServReqFail-Trap
DYNAMIC SERVICES	DYNAMIC SERVICE REQUEST	Error	Warning	Service Change rejected - Requester not owner of service flow	For SYSLOG only append: MAC addr: <P1> P1 = Mac Addr of CMTS (for CM) or CM (for CMTS)	S02.4	83000204	docsDevCm-DynServReq-FailTrap, docsDevCmtsDyn-ServReqFail-Trap
DYNAMIC SERVICES	DYNAMIC SERVICE REQUEST	Error	Warning	Service Change rejected - Service flow not found	For SYSLOG only append: MAC addr: <P1> P1 = Mac Addr of CMTS (for CM) or CM (for CMTS)	S02.5	83000205	docsDevCm-DynServReq-FailTrap, docsDevCmtsDyn-ServReqFail-Trap
DYNAMIC SERVICES	DYNAMIC SERVICE REQUEST	Error	Warning	Service Change rejected - Required parameter not present	For SYSLOG only append: MAC addr: <P1> P1 = Mac Addr of CMTS (for CM) or CM (for CMTS)	S02.6	83000206	docsDevCm-DynServReq-FailTrap, docsDevCmtsDyn-ServReqFail-Trap

Processes	Sub-Process	CM Priority	CMTS Priority	Event Message	Message Notes And Details	Error Code Set	Event ID	Trap Name
DYNAMIC SERVICES	DYNAMIC SERVICE REQUEST	Error	Warning	Service Change rejected - Header suppression setting not supported	For SYSLOG only append: MAC addr: <P1> P1 = Mac Addr of CMTS (for CM) or CM (for CMTS)	S02.7	83000207	docsDevCm-DynServReq-FailTrap, docsDevCmtsDyn-ServReqFail-Trap
DYNAMIC SERVICES	DYNAMIC SERVICE REQUEST	Error	Warning	Service Change rejected - HMAC Auth failure	For SYSLOG only append: MAC addr: <P1> P1 = Mac Addr of CMTS (for CM) or CM (for CMTS)	S02.8	83000208	docsDevCm-DynServReq-FailTrap, docsDevCmtsDyn-ServReqFail-Trap
DYNAMIC SERVICES	DYNAMIC SERVICE REQUEST	Error	Warning	Service Change rejected - Multiple errors	For SYSLOG only: append: MAC addr: <P1> P1 = Mac Addr of CMTS (for CM) or CM (for CMTS)	S02.9	83000209	docsDevCm-DynServReq-FailTrap, docsDevCmtsDyn-ServReqFail-Trap
DYNAMIC SERVICES	DYNAMIC SERVICE REQUEST	Error	Warning	Service Change rejected - Classifier not found	For SYSLOG only: append: MAC addr: <P1> P1 = Mac Addr of CMTS (for CM) or CM (for CMTS)	S02.10	83000210	docsDevCm-DynServReq-FailTrap, docsDevCmtsDyn-ServReqFail-Trap
DYNAMIC SERVICES	DYNAMIC SERVICE REQUEST	Error		Service Change rejected - Classifier exists	For SYSLOG only: append: MAC addr: <P1> P1 = Mac Addr of CMTS (for CM) or CM (for CMTS)	S02.11	83000211	docsDevCm-DynServReq-FailTrap, docsDevCmtsDyn-ServReqFail-Trap
DYNAMIC SERVICES	DYNAMIC SERVICE REQUEST	Error	Warning	Service Change rejected - PHS rule not found	For SYSLOG only: append: MAC addr: <P1> P1 = Mac Addr of CMTS (for CM) or CM (for CMTS)	S02.12	83000212	docsDevCm-DynServReq-FailTrap, docsDevCmtsDyn-ServReqFail-Trap
DYNAMIC SERVICES	DYNAMIC SERVICE REQUEST	Error	Warning	Service Change rejected - PHS rule exists	For SYSLOG only: append: MAC addr: <P1> P1 = Mac Addr of CMTS (for CM) or CM (for CMTS)	S02.13	83000213	docsDevCm-DynServReq-FailTrap, docsDevCmtsDyn-ServReqFail-Trap

Processes	Sub-Process	CM Priority	CMTS Priority	Event Message	Message Notes And Details	Error Code Set	Event ID	Trap Name
DYNAMIC SERVICES	DYNAMIC SERVICE REQUEST	Error	Warning	Service Change rejected - Duplicated reference-ID or index in message	For SYSLOG only: append: MAC addr: <P1> P1 = Mac Addr of CMTS (for CM) or CM (for CMTS)	S02.14	83000214	docsDevCm-DynServReq-FailTrap, docsDevCmtsDyn-ServReqFail-Trap
DYNAMIC SERVICES	DYNAMIC SERVICE REQUEST	Error	Warning	Service Change rejected - Multiple upstream flows	For SYSLOG only: append: MAC addr: <P1> P1 = Mac Addr of CMTS (for CM) or CM (for CMTS)	S02.15	83000215	docsDevCm-DynServReq-FailTrap, docsDevCmtsDyn-ServReqFail-Trap
DYNAMIC SERVICES	DYNAMIC SERVICE REQUEST	Error	Warning	Service Change rejected - Multiple downstream flows	For SYSLOG only: append: MAC addr: <P1> P1 = Mac Addr of CMTS (for CM) or CM (for CMTS)	S02.16	83000216	docsDevCm-DynServReq-FailTrap, docsDevCmtsDyn-ServReqFail-Trap
DYNAMIC SERVICES	DYNAMIC SERVICE REQUEST	Error	Warning	Service Change rejected - Classifier for another flow	For SYSLOG only: append: MAC addr: <P1> P1 = Mac Addr of CMTS (for CM) or CM (for CMTS)	S02.17	83000217	docsDevCm-DynServReq-FailTrap, docsDevCmtsDyn-ServReqFail-Trap
DYNAMIC SERVICES	DYNAMIC SERVICE REQUEST	Error	Warning	Service Change rejected - PHS rule for another flow	For SYSLOG only: append: MAC addr: <P1> P1 = Mac Addr of CMTS (for CM) or CM (for CMTS)	S02.18	83000218	docsDevCm-DynServReq-FailTrap, docsDevCmtsDyn-ServReqFail-Trap
DYNAMIC SERVICES	DYNAMIC SERVICE REQUEST	Error	Warning	Service Change rejected - Invalid parameter for context	For SYSLOG only: append: MAC addr: <P1> P1 = Mac Addr of CMTS (for CM) or CM (for CMTS)	S02.19	83000219	docsDevCm-DynServReq-FailTrap, docsDevCmtsDyn-ServReqFail-Trap
DYNAMIC SERVICES	DYNAMIC SERVICE REQUEST	Error	Warning	Service Change rejected - Authorization failure	For SYSLOG only: append: MAC addr: <P1> P1 = Mac Addr of CMTS (for CM) or CM (for CMTS)	S02.20	83000220	docsDevCm-DynServReq-FailTrap, docsDevCmtsDyn-ServReqFail-Trap

Processes	Sub-Process	CM Priority	CMTS Priority	Event Message	Message Notes And Details	Error Code Set	Event ID	Trap Name
DYNAMIC SERVICES	DYNAMIC SERVICE REQUEST	Error	Warning	Service Change rejected - Major service flow error	For SYSLOG only: append: MAC addr: <P1> P1 = Mac Addr of CMTS (for CM) or CM (for CMTS)	S02.21	83000221	docsDevCm-DynServReq-FailTrap, docsDevCmtsDyn-ServReqFail-Trap
DYNAMIC SERVICES	DYNAMIC SERVICE REQUEST	Error	Warning	Service Change rejected -Major classifier error	For SYSLOG only: append: MAC addr: <P1> P1 = Mac Addr of CMTS (for CM) or CM (for CMTS)	S02.22	83000222	docsDevCm-DynServReq-FailTrap, docsDevCmtsDyn-ServReqFail-Trap
DYNAMIC SERVICES	DYNAMIC SERVICE REQUEST	Error	Warning	Service Change rejected - Major PHS error	For SYSLOG only: append: MAC addr: <P1> P1 = Mac Addr of CMTS (for CM) or CM (for CMTS)	S02.23	83000223	docsDevCm-DynServReq-FailTrap, docsDevCmtsDyn-ServReqFail-Trap
DYNAMIC SERVICES	DYNAMIC SERVICE REQUEST	Error	Warning	Service Change rejected - Multiple major errors	For SYSLOG only: append: MAC addr: <P1> P1 = Mac Addr of CMTS (for CM) or CM (for CMTS)	S02.24	83000224	docsDevCm-DynServReq-FailTrap, docsDevCmtsDyn-ServReqFail-Trap
DYNAMIC SERVICES	DYNAMIC SERVICE REQUEST	Error	Warning	Service Change rejected - Message syntax error	For SYSLOG only: append: MAC addr: <P1> P1 = Mac Addr of CMTS (for CM) or CM (for CMTS)	S02.25	83000225	docsDevCm-DynServReq-FailTrap, docsDevCmtsDyn-ServReqFail-Trap
DYNAMIC SERVICES	DYNAMIC SERVICE REQUEST	Error	Warning	Service Change rejected - Message too big	For SYSLOG only: append: MAC addr: <P1> P1 = Mac Addr of CMTS (for CM) or CM (for CMTS)	S02.26	83000226	docsDevCm-DynServReq-FailTrap, docsDevCmtsDyn-ServReqFail-Trap
DYNAMIC SERVICES	DYNAMIC SERVICE REQUEST	Error	Warning	Service Change rejected - Temporary DCC	For SYSLOG only: append: MAC addr: <P1> P1 = Mac Addr of CMTS (for CM) or CM (for CMTS)	S02.27	83000227	docsDevCm-DynServReq-FailTrap, docsDevCmtsDyn-ServReqFail-Trap

Processes	Sub-Process	CM Priority	CMTS Priority	Event Message	Message Notes And Details	Error Code Set	Event ID	Trap Name
DYNAMIC SERVICES	DYNAMIC SERVICE REQUEST	Error	Warning	Service Delete rejected - Unspecified reason	For SYSLOG only append: MAC addr: <P1> P1 = Mac Addr of CMTS (for CM) or CM (for CMTS)	S03.0	83000300	docsDevCm-DynServReq-FailTrap, docsDevCmtsDyn-ServReqFail-Trap
DYNAMIC SERVICES	DYNAMIC SERVICE REQUEST	Error	Warning	Service Delete rejected -Requester not owner of service flow	For SYSLOG only: append: MAC addr: <P1> P1 = Mac Addr of CMTS (for CM) or CM (for CMTS)	S03.1	83000301	docsDevCm-DynServReq-FailTrap, docsDevCmtsDyn-ServReqFail-Trap
DYNAMIC SERVICES	DYNAMIC SERVICE REQUEST	Error	Warning	Service Delete rejected - Service flow not found	For SYSLOG only: append: MAC addr: <P1> P1 = Mac Addr of CMTS (for CM) or CM (for CMTS)	S03.2	83000302	docsDevCm-DynServReq-FailTrap, docsDevCmtsDyn-ServReqFail-Trap
DYNAMIC SERVICES	DYNAMIC SERVICE REQUEST	Error	Warning	Service Delete rejected - HMAC Auth failure	For SYSLOG only append: MAC addr: <P1> P1 = Mac Addr of CMTS (for CM) or CM (for CMTS)	S03.3	83000303	docsDevCm-DynServReq-FailTrap, docsDevCmtsDyn-ServReqFail-Trap
DYNAMIC SERVICES	DYNAMIC SERVICE REQUEST	Error	Warning	Service Delete rejected - Message syntax error	For SYSLOG only: append: MAC addr: <P1> P1 = Mac Addr of CMTS (for CM) or CM (for CMTS)	S03.4	83000304	docsDevCm-DynServReq-FailTrap, docsDevCmtsDyn-ServReqFail-Trap
<b>DYNAMIC SERVICE RESPONSES</b>								
DYNAMIC SERVICES	DYNAMIC SERVICE RESPONSE	Error	Warning	Service Add Response rejected -Invalid transaction ID	For SYSLOG only append: MAC addr: <P1> P1 = Mac Addr of CMTS (for CM) or CM (for CMTS)	S101.0	83010100	docsDevCm-DynServRsp-FailTrap, docsDevCmtsDyn-ServRspFail-Trap
DYNAMIC SERVICES	DYNAMIC SERVICE RESPONSE	Error	Warning	Service Add aborted - No RSP	For SYSLOG only append: MAC addr: <P1> P1 = Mac Addr of CMTS (for CM) or CM (for CMTS)	S101.1	83010101	docsDevCm-DynServRsp-FailTrap, docsDevCmtsDyn-ServRspFail-Trap

Processes	Sub-Process	CM Priority	CMTS Priority	Event Message	Message Notes And Details	Error Code Set	Event ID	Trap Name
DYNAMIC SERVICES	DYNAMIC SERVICE RESPONSE	Error	Warning	Service Add Response rejected - HMAC Auth failure	For SYSLOG only append: MAC addr: <P1> P1 = Mac Addr of CMTS (for CM) or CM (for CMTS)	S101.2	83010102	docsDevCm-DynServRsp-FailTrap, docsDevCmtsDyn-ServRspFail-Trap
DYNAMIC SERVICES	DYNAMIC SERVICE RESPONSE	Error	Warning	Service Add Response rejected - Message syntax error	For SYSLOG only append: MAC addr: <P1> P1 = Mac Addr of CMTS (for CM) or CM (for CMTS)	S101.3	83010103	docsDevCm-DynServRsp-FailTrap, docsDevCmtsDyn-ServRspFail-Trap
DYNAMIC SERVICES	DYNAMIC SERVICE RESPONSE	Error	Warning	Service Add Response rejected -Unspecified reason - MAC-addr: <P1	For SYSLOG only append: MAC addr: <P1> P1 = Mac Addr of CMTS (for CM) or CM (for CMTS)	S101.4	83010104	docsDevCm-DynServRsp-FailTrap, docsDevCmtsDyn-ServRspFail-Trap
DYNAMIC SERVICES	DYNAMIC SERVICE RESPONSE	Error	Warning	Service Add Response rejected -Unrecognized configuration setting	For SYSLOG only append: MAC addr: <P1> P1 = Mac Addr of CMTS (for CM) or CM (for CMTS)	S101.5	83010105	docsDevCm-DynServRsp-FailTrap, docsDevCmtsDyn-ServRspFail-Trap
DYNAMIC SERVICES	DYNAMIC SERVICE RESPONSE	Error	Warning	Service Add Response rejected -Required parameter not present	For SYSLOG only append: MAC addr: <P1> P1 = Mac Addr of CMTS (for CM) or CM (for CMTS)	S101.6	83010106	docsDevCm-DynServRsp-FailTrap, docsDevCmtsDyn-ServRspFail-Trap
DYNAMIC SERVICES	DYNAMIC SERVICE RESPONSE	Error		Service Add Response rejected - Service Flow exists	For SYSLOG only append: MAC addr: <P1> P1 = Mac Addr of CMTS (for CM) or CM (for CMTS)	S101.7	83010107	docsDevCm-DynServRsp-FailTrap, docsDevCmtsDyn-ServRspFail-Trap
DYNAMIC SERVICES	DYNAMIC SERVICE RESPONSE	Error	Warning	Service Add Response rejected - Multiple errors	For SYSLOG only append: MAC addr: <P1> P1 = Mac Addr of CMTS (for CM) or CM (for CMTS)	S101.8	83010108	docsDevCm-DynServRsp-FailTrap, docsDevCmtsDyn-ServRspFail-Trap

Processes	Sub-Process	CM Priority	CMTS Priority	Event Message	Message Notes And Details	Error Code Set	Event ID	Trap Name
DYNAMIC SERVICES	DYNAMIC SERVICE RESPONSE	Error		Service Add Response rejected - Classifier exists	For SYSLOG only append: MAC addr: <P1> P1 = Mac Addr of CMTS (for CM) or CM (for CMTS)	S101.9	83010109	docsDevCm-DynServRsp-FailTrap, docsDevCmtsDyn-ServRspFail-Trap
DYNAMIC SERVICES	DYNAMIC SERVICE RESPONSE	Error	Warning	Service Add Response rejected - PHS rule exists	For SYSLOG only append: MAC addr: <P1> P1 = Mac Addr of CMTS (for CM) or CM (for CMTS)	S101.10	83010110	docsDevCm-DynServRsp-FailTrap, docsDevCmtsDyn-ServRspFail-Trap
DYNAMIC SERVICES	DYNAMIC SERVICE RESPONSE	Error	Warning	Service Add Response rejected -Duplicate reference_ID or index inmessage	For SYSLOG only append: MAC addr: <P1> P1 = Mac Addr of CMTS (for CM) or CM (for CMTS)	S101.11	83010111	docsDevCm-DynServRsp-FailTrap, docsDevCmtsDyn-ServRspFail-Trap
DYNAMIC SERVICES	DYNAMIC SERVICE RESPONSE	Error	Warning	Service Add Response rejected -Classifier for another flow - MACaddr: <P1>	For SYSLOG only append: MAC addr: <P1> P1 = Mac Addr of CMTS (for CM) or CM (for CMTS)	S101.12	83010112	docsDevCm-DynServRsp-FailTrap, docsDevCmtsDyn-ServRspFail-Trap
DYNAMIC SERVICES	DYNAMIC SERVICE RESPONSE	Error	Warning	Service Add Response rejected -Parameter invalid for context	For SYSLOG only append: MAC addr: <P1> P1 = Mac Addr of CMTS (for CM) or CM (for CMTS)	S101.13	83010113	docsDevCm-DynServRsp-FailTrap, docsDevCmtsDyn-ServRspFail-Trap
DYNAMIC SERVICES	DYNAMIC SERVICE RESPONSE	Error	Warning	Service Add Response rejected -Major service flow error	For SYSLOG only append: MAC addr: <P1> P1 = Mac Addr of CMTS (for CM) or CM (for CMTS)	S101.14	83010114	docsDevCm-DynServRsp-FailTrap, docsDevCmtsDyn-ServRspFail-Trap
DYNAMIC SERVICES	DYNAMIC SERVICE RESPONSE	Error	Warning	Service Add Response rejected -Major classifier error	For SYSLOG only append: MAC addr: <P1> P1 = Mac Addr of CMTS (for CM) or CM (for CMTS)	S101.15	83010115	docsDevCm-DynServRsp-FailTrap, docsDevCmtsDyn-ServRspFail-Trap

Processes	Sub-Process	CM Priority	CMTS Priority	Event Message	Message Notes And Details	Error Code Set	Event ID	Trap Name
DYNAMIC SERVICES	DYNAMIC SERVICE RESPONSE	Error	Warning	Service Add Response rejected -Major PHS Rule error	For SYSLOG only append: MAC addr: <P1> P1 = Mac Addr of CMTS (for CM) or CM (for CMTS)	S101.1 6	83010116	docsDevCm-DynServRsp-FailTrap, docsDevCmtsDyn-ServRspFail-Trap
DYNAMIC SERVICES	DYNAMIC SERVICE RESPONSE	Error	Warning	Service Add Response rejected -Multiple major errors	For SYSLOG only append: MAC addr: <P1> P1 = Mac Addr of CMTS (for CM) or CM (for CMTS)	S101.1 7	83010117	docsDevCm-DynServRsp-FailTrap, docsDevCmtsDyn-ServRspFail-Trap
DYNAMIC SERVICES	DYNAMIC SERVICE RESPONSE	Error	Warning	Service Add Response rejected -Message too big	For SYSLOG only append: MAC addr: <P1> P1 = Mac Addr of CMTS (for CM) or CM (for CMTS)	S101.1 8	83010118	docsDevCm-DynServRsp-FailTrap, docsDevCmtsDyn-ServRspFail-Trap
DYNAMIC SERVICES	DYNAMIC SERVICE RESPONSE	Error	Warning	Service Change Response rejected - Invalid transaction ID.	For SYSLOG only append: MAC addr: <P1> P1 = Mac Addr of CMTS (for CM) or CM (for CMTS)	S102.0	83010200	docsDevCm-DynServRsp-FailTrap, docsDevCmtsDyn-ServRspFail-Trap
DYNAMIC SERVICES	DYNAMIC SERVICE RESPONSE	Error	Warning	Service Change aborted- No RSP	For SYSLOG only append: MAC addr: <P1> P1 = Mac Addr of CMTS (for CM) or CM (for CMTS)	S102.1	83010201	docsDevCm-DynServRsp-FailTrap, docsDevCmtsDyn-ServRspFail-Trap
DYNAMIC SERVICES	DYNAMIC SERVICE RESPONSE	Error	Warning	Service Change Response rejected - HMAC Auth failure	For SYSLOG only append: MAC addr: <P1> P1 = Mac Addr of CMTS (for CM) or CM (for CMTS)	S102.2	83010202	docsDevCm-DynServRsp-FailTrap, docsDevCmtsDyn-ServRspFail-Trap
DYNAMIC SERVICES	DYNAMIC SERVICE RESPONSE	Error	Warning	Service Change Response rejected - Unspecified reason	For SYSLOG only append: MAC addr: <P1> P1 = Mac Addr of CMTS (for CM) or CM (for CMTS)	S102.4	83010204	docsDevCm-DynServRsp-FailTrap, docsDevCmtsDyn-ServRspFail-Trap

Processes	Sub-Process	CM Priority	CMTS Priority	Event Message	Message Notes And Details	Error Code Set	Event ID	Trap Name
DYNAMIC SERVICES	DYNAMIC SERVICE RESPONSE	Error	Warning	Service Change Response rejected - Unrecognized configuration setting	For SYSLOG only append: MAC addr: <P1> P1 = Mac Addr of CMTS (for CM) or CM (for CMTS)	S102.5	83010205	docsDevCm-DynServRsp-FailTrap, docsDevCmtsDyn-ServRspFail-Trap
DYNAMIC SERVICES	DYNAMIC SERVICE RESPONSE	Error	Warning	Service Change Response rejected - Required parameter not present	For SYSLOG only append: MAC addr: <P1> P1 = Mac Addr of CMTS (for CM) or CM (for CMTS)	S102.6	83010206	docsDevCm-DynServRsp-FailTrap, docsDevCmtsDyn-ServRspFail-Trap
DYNAMIC SERVICES	DYNAMIC SERVICE RESPONSE	Error	Warning	Service Change Response rejected - Multiple errors	For SYSLOG only append: MAC addr: <P1> P1 = Mac Addr of CMTS (for CM) or CM (for CMTS)	S102.7	83010207	docsDevCm-DynServRsp-FailTrap, docsDevCmtsDyn-ServRspFail-Trap
DYNAMIC SERVICES	DYNAMIC SERVICE RESPONSE	Error		Service Change Response rejected - Classifier exists	For SYSLOG only append: MAC addr: <P1> P1 = Mac Addr of CMTS (for CM) or CM (for CMTS)	S102.8	83010208	docsDevCm-DynServRsp-FailTrap, docsDevCmtsDyn-ServRspFail-Trap
DYNAMIC SERVICES	DYNAMIC SERVICE RESPONSE	Error	Warning	Service Change Response rejected - PHS rule exists	For SYSLOG only append: MAC addr: <P1> P1 = Mac Addr of CMTS (for CM) or CM (for CMTS)	S102.9	83010209	docsDevCm-DynServRsp-FailTrap, docsDevCmtsDyn-ServRspFail-Trap
DYNAMIC SERVICES	DYNAMIC SERVICE RESPONSE	Error	Warning	Service Change Response rejected - Duplicated reference-ID or index in	For SYSLOG only append: MAC addr: <P1> P1 = Mac Addr of CMTS (for CM) or CM (for CMTS)	S102.10	83010210	docsDevCm-DynServRsp-FailTrap, docsDevCmtsDyn-ServRspFail-Trap
DYNAMIC SERVICES	DYNAMIC SERVICE RESPONSE	Error	Warning	Service Change Response rejected - Invalid parameter for context	For SYSLOG only append: MAC addr: <P1> P1 = Mac Addr of CMTS (for CM) or CM (for CMTS)	S102.11	83010211	docsDevCm-DynServRsp-FailTrap, docsDevCmtsDyn-ServRspFail-Trap

Processes	Sub-Process	CM Priority	CMTS Priority	Event Message	Message Notes And Details	Error Code Set	Event ID	Trap Name
DYNAMIC SERVICES	DYNAMIC SERVICE RESPONSE	Error	Warning	Service Change Response rejected - Major classifier error	For SYSLOG only append: MAC addr: <P1> P1 = Mac Addr of CMTS (for CM) or CM (for CMTS)	S102.1 <sup>2</sup>	83010212	docsDevCm-DynServRsp-FailTrap, docsDevCmtsDyn-ServRspFail-Trap
DYNAMIC SERVICES	DYNAMIC SERVICE RESPONSE	Error	Warning	Service Change Response rejected - Major PHS rule error	For SYSLOG only append: MAC addr: <P1> P1 = Mac Addr of CMTS (for CM) or CM (for CMTS)	S102.1 <sup>3</sup>	83010213	docsDevCm-DynServRsp-FailTrap, docsDevCmtsDyn-ServRspFail-Trap
DYNAMIC SERVICES	DYNAMIC SERVICE RESPONSE	Error	Warning	Service Change Response rejected - Multiple Major errors	For SYSLOG only append: MAC addr: <P1> P1 = Mac Addr of CMTS (for CM) or CM (for CMTS)	S102.1 <sup>4</sup>	83010214	docsDevCm-DynServRsp-FailTrap, docsDevCmtsDyn-ServRspFail-Trap
DYNAMIC SERVICES	DYNAMIC SERVICE RESPONSE	Error	Warning	Service Change Response rejected - Message too big	For SYSLOG only append: MAC addr: <P1> P1 = Mac Addr of CMTS (for CM) or CM (for CMTS)	S102.1 <sup>5</sup>	83010215	docsDevCm-DynServRsp-FailTrap, docsDevCmtsDyn-ServRspFail-Trap
DYNAMIC SERVICES	DYNAMIC SERVICE RESPONSE	Error	Warning	Service Change Response rejected - Message syntax error	For SYSLOG only append: MAC addr: <P1> P1 = Mac Addr of CMTS (for CM) or CM (for CMTS)	S102.3	83010203	docsDevCm-DynServRsp-FailTrap, docsDevCmtsDyn-ServRspFail-Trap
DYNAMIC SERVICES	DYNAMIC SERVICE RESPONSE	Error	Warning	Service Delete Response rejected - Invalid transaction ID	For SYSLOG only append: MAC addr: <P1> P1 = Mac Addr of CMTS (for CM) or CM (for CMTS)	S103.0	83010300	docsDevCm-DynServRsp-FailTrap, docsDevCmtsDyn-ServRspFail-Trap
<b>DYNAMIC SERVICE ACKNOWLEDGEMENTS</b>								
DYNAMIC SERVICES	DYNAMIC SERVICE ACKNOWLEDGEMENT	Error	Warning	Service Add Response rejected - Invalid Transaction ID	For SYSLOG only append: MAC addr: <P1> P1 = Mac Addr of CMTS (for CM) or CM (for CMTS)	S201.0	83020100	docsDevCm-DynServAck-FailTrap, docsDevCmtsDynServAckFailTrap

Processes	Sub-Process	CM Priority	CMTS Priority	Event Message	Message Notes And Details	Error Code Set	Event ID	Trap Name
DYNAMIC SERVICES	DYNAMIC SERVICE ACKNOWLEDGEMENT	Error	Warning	Service Add Aborted - No ACK	For SYSLOG only append: MAC addr: <P1> P1 = Mac Addr of CMTS (for CM) or CM (for CMTS)	S201.1	83020101	docsDevCm-DynServAck-FailTrap, docsDevCmtsDynServAckFailTrap
DYNAMIC SERVICES	DYNAMIC SERVICE ACKNOWLEDGEMENT	Error	Warning	Service Add ACK rejected - HMAC auth failure	For SYSLOG only append: MAC addr: <P1> P1 = Mac Addr of CMTS (for CM) or CM (for CMTS)	S201.2	83020102	docsDevCm-DynServAck-FailTrap, docsDevCmtsDynServAckFailTrap
DYNAMIC SERVICES	DYNAMIC SERVICE ACKNOWLEDGEMENT	Error	Warning	Service Add ACK rejected-Message syntax error	For SYSLOG only append: MAC addr: <P1> P1 = Mac Addr of CMTS (for CM) or CM (for CMTS)	S201.3	83020103	docsDevCm-DynServAck-FailTrap, docsDevCmtsDynServAckFailTrap
DYNAMIC SERVICES	DYNAMIC SERVICE ACKNOWLEDGEMENT	Error	Warning	Service Change ACK rejected - Invalid transaction ID	For SYSLOG only append: MAC addr: <P1> P1 = Mac Addr of CMTS (for CM) or CM (for CMTS)	S202.0	83020200	docsDevCm-DynServAck-FailTrap, docsDevCmtsDynServAckFailTrap
DYNAMIC SERVICES	DYNAMIC SERVICE ACKNOWLEDGEMENT	Error	Warning	Service Change Aborted - No ACK	For SYSLOG only append: MAC addr: <P1> P1 = Mac Addr of CMTS (for CM) or CM (for CMTS)	S202.1	83020201	docsDevCm-DynServAck-FailTrap, docsDevCmtsDynServAckFailTrap
DYNAMIC SERVICES	DYNAMIC SERVICE ACKNOWLEDGEMENT	Error	Warning	Service Change ACK rejected - HMAC Auth failure	For SYSLOG only append: MAC addr: <P1> P1 = Mac Addr of CMTS (for CM) or CM (for CMTS)	S202.2	83020202	docsDevCm-DynServAck-FailTrap, docsDevCmtsDynServAckFailTrap
DYNAMIC SERVICES	DYNAMIC SERVICE ACKNOWLEDGEMENT	Error	Warning	Service Change ACK rejected - Message syntax error	For SYSLOG only append: MAC addr: <P1> P1 = Mac Addr of CMTS (for CM) or CM (for CMTS)	S202.3	83020203	docsDevCm-DynServAck-FailTrap, docsDevCmtsDynServAckFailTrap

Processes	Sub-Process	CM Priority	CMTS Priority	Event Message	Message Notes And Details	Error Code Set	Event ID	Trap Name
<b>CM CONFIGURATION FILE (BPI+)</b>								
Init (BPI+)		Error	Notice	Missing BP Configuration Setting TLV Type: <P1>	P1 = missing required TLV Type	B101.0	66010100	DocsDevC-mBpiInitTrap, docsDevC-mtsBpiInitTrap
Init (BPI+)		Alert	Notice	Invalid BP Configuration Setting Value: <P1> for Type: <P2>	P1=The TLV Value for P2.P2 = The first Configuration TLV Type that contain invalid value.	B102.0	66010200	docsDevC-mBpiInitTrap
<b>AUTH FSM</b>								
BPKM		Warning	Error	Auth Reject - No Information	For SYSLOG only, append: MAC addr: <P1> P1 = Mac Addr of CMTS (for CM) or CM (for CMTS)	B301.2	66030102	docsDevC-mBPK-MTrap, docs-DevCmtsBPKMTrap
BPKM		Warning	Error	Auth Reject - Unauthorized CM	For SYSLOG only, append: MAC addr: <P1> P1 = Mac Addr of CMTS (for CM) or CM (for CMTS)	B301.3	66030103	docsDevC-mBPK-MTrap, docs-DevCmtsBPKMTrap
BPKM		Warning	Error	Auth Reject - Unauthorized SAID	For SYSLOG only, append: MAC addr: <P1> P1 = Mac Addr of CMTS (for CM) or CM (for CMTS)	B301.4	66030104	docsDevC-mBPK-MTrap, docs-DevCmtsBPKMTrap
BPKM		Error	Error	Auth Reject - Permanent Authorization Failure	For SYSLOG only, append: MAC addr: <P1> P1 = Mac Addr of CMTS (for CM) or CM (for CMTS)	B301.8	66030108	docsDevC-mBPK-MTrap, docs-DevCmtsBPKMTrap
BPKM		Warning	Error	Auth Reject - Time of Day not acquired	For SYSLOG only, append: MAC addr: <P1> P1 = Mac Addr of CMTS (for CM) or CM (for CMTS)	B301.9	66030109	docsDevC-mBPK-MTrap, docs-DevCmtsBPKMTrap

Processes	Sub-Process	CM Priority	CMTS Priority	Event Message	Message Notes And Details	Error Code Set	Event ID	Trap Name
BPKM		Alert	Error	CM Certificate Error	For SYSLOG only, append: MAC addr: <P1> P1=Mac Addr of CMTS (for CM) or CM (for CMTS)	B301.1 1	66030111	docsDevCmBPK-MTrap, docs-DevCmtsBPK MTrap
BPKM		Warning	Error	Auth Invalid - No Information	For SYSLOG only, append: MAC addr: <P1> P1 = Mac Addr of CMTS (for CM) or CM (for CMTS)	B302.2	66030202	docsDevCmBPK-MTrap, docs-DevCmtsBPK MTrap
BPKM		Warning	Error	Auth Invalid - Unauthorized CM	For SYSLOG only, append: MAC addr: <P1> P1 = Mac Addr of CMTS (for CM) or CM (for CMTS)	B302.3	66030203	docsDevCmBPK-MTrap, docs-DevCmtsBPK MTrap
BPKM		Warning	Error	Auth Invalid - Unsolicited	For SYSLOG only, append: MAC addr: <P1> P1 = Mac Addr of CMTS (for CM) or CM (for CMTS)	B302.5	66030205	docsDevCmBPK-MTrap, docs-DevCmtsBPK MTrap
BPKM		Warning	Error	Auth Invalid - Invalid Key Sequence Number	For SYSLOG only, append: MAC addr: <P1> P1 = Mac Addr of CMTS (for CM) or CM (for CMTS)	B302.6	66030206	docsDevCmBPK-MTrap, docs-DevCmtsBPK MTrap
BPKM		Warning	Error	Auth Invalid - Message (Key Request) Authentication Failure	For SYSLOG only, append: MAC addr: <P1> P1 = Mac Addr of CMTS (for CM) or CM (for CMTS)	B302.7	66030207	docsDevCmBPK-MTrap, docs-DevCmtsBPK MTrap
BPKM		Warning	Error	Unsupported Crypto Suite	For SYSLOG only, append: MAC addr: <P1> P1 = Mac Addr of CMTS (for CM) or CM (for CMTS)	B303.0	66030300	docsDevCmBPK-MTrap, docs-DevCmtsBPK MTrap

Process	Sub-Process	CM Priority	CMTS Priority	Event Message	Message Notes And Details	Error Code Set	Event ID	Trap Name
<b>EVENT BETWEEN AUTH &amp; TEK FSM</b>								
BPKM		Informational		Authorized	For CM SYSLOG only append: MAC addr: <P1> P1 = Mac Addr of CM	B401.0	66040100	docsDevC-mBPKMTrap
BPKM		Informational		Auto Pend	For CM SYSLOG only append: MAC addr: <P1> P1 = Mac Addr of CM	B402.0	66040200	docsDevC-mBPKMTrap
BPKM		Informational		Auth Comp	For CM SYSLOG only append: MAC addr: <P1> P1 = Mac Addr of CM	B403.0	66040300	docsDevC-mBPKMTrap
BPKM		Informational		Stop	For CM SYSLOG only append: MAC addr: <P1> P1 = Mac Addr of CM	B404.0	66040400	docsDevC-mBPKMTrap
<b>TEK FSM</b>								
BPKM		Warning	Error	Key Reject - No Information	For SYSLOG only, append: MAC addr: <P1> P1 = Mac Addr of CMTS (for CM) or CM (for CMTS)	B501.2	66050102	docsDevC-mBPK-MTrap, docs-DevCmtsBPKMTrap
BPKM		Warning	Error	Key Reject - Unauthorized SAID	For SYSLOG only, append: MAC addr: <P1> P1 = Mac Addr of CMTS (for CM) or CM (for CMTS)	B501.3	66050103	docsDevC-mBPK-MTrap, docs-DevCmtsBPKMTrap
BPKM		Warning	Error	TEK Invalid - No Information	For SYSLOG only, append: MAC addr: <P1> P1 = Mac Addr of CMTS (for CM) or CM (for CMTS)	B502.3	66050203	docsDevC-mBPK-MTrap, docs-DevCmtsBPKMTrap

Processes	Sub-Process	CM Priority	CMTS Priority	Event Message	Message Notes And Details	Error Code Set	Event ID	Trap Name
BPKM		Warning	Error	TEK Invalid - Invalid Key Sequence Number	For SYSLOG only, append: MAC addr: <P1> P1 = Mac Addr of CMTS (for CM) or CM (for CMTS)	B502.6	66050206	docsDevCmBPK-MTrap, docsDevCmtsBPKMTrap
<b>SA MAP FSM</b>								
Dynamic SA		Informational		SA Map State Machine Started	For CM SYSLOG only append: MAC addr: <P1> P1 = Mac Addr of CM	B601.0	66060100	docsDevCmDynamicSA-Trap
Dynamic SA		Warning	Error	Unsupported Crypto Suite	For SYSLOG only, append: MAC addr: <P1>. P1 = Mac Addr of CMTS (for CM) or CM (for CMTS)	B602.0	66060200	docsDevCmDynamicSA-Trap, docsDevCmtsDynamicSATrap
Dynamic SA		Error		Map Request Retry Timeout	For CM SYSLOG only append: MAC addr: <P1>. P1 = Mac Addr of CMTS	B603.0	66060300	docsDevCmDynamicSA-Trap
Dynamic SA		Informational		Unmap	For CM SYSLOG only append: MAC addr: <P1>. P1 = Mac Addr of CMTS	B604.0	66060400	docsDevCmDynamicSA-Trap
Dynamic SA		Warning	Error	Map Reject - Not Authorized for Requested Downstream Traffic Flow (EC=7)	For SYSLOG only, append: MAC addr: <P1> P1 = Mac Addr of CMTS (for CM) or CM (for CMTS)	B605.9	66060509	docsDevCmDynamicSA-Trap, docsDevCmtsDynamicSATrap
Dynamic SA		Informational	Informational	Map Reject - Downstream Traffic Flow Not Mapped to BPI+ SAID (EC=8)	For SYSLOG only, append: MAC addr: <P1> P1 = Mac Addr of CMTS (for CM) or CM (for CMTS)	B605.10	66060510	docsDevCmDynamicSA-Trap, docsDevCmtsDynamicSATrap

Processes	Sub-Process	CM Priority	CMTS Priority	Event Message	Message Notes And Details	Error Code Set	Event ID	Trap Name
Dynamic SA		Warning	Error	Mapped to Existing SAID	For SYSLOG only, append: MAC addr: <P1> P1 = Mac Addr of CMTS (for CM) or CM (for CMTS)	B606.0	66060600	docsDevCm-DynamicSA-Trap, docs-DevCmtsDynamicSATrap
Dynamic SA		Warning	Error	Mapped to New SAID	For SYSLOG only, append: MAC addr: <P1> P1 = Mac Addr of CMTS (for CM) or CM (for CMTS)	B607.0	66060700	docsDevCm-DynamicSA-Trap, docs-DevCmtsDynamicSATrap
<b>VERIFICATION OF CODE FILE</b>								
SW Upgrade	SW UPGRADE GENERAL FAILURE	Error		Improper Code File Controls	For SYSLOG only, append: Code File: <P1> - Code File Server: <P2>. P1= Code file name, P2 = code file server IP address	E201.0	69020100	docsDevCm-SwUpgrade-FailTrap
SW Upgrade	SW UPGRADE GENERAL FAILURE	Error		Code File Manufacturer CVC Validation Failure	For SYSLOG only, append: Code File: <P1> - Code File Server: <P2>. P1= Code file name, P2 = code file server IP address	E202.0	69020200	docsDevCm-SwUpgrade-FailTrap
SW Upgrade	SW UPGRADE GENERAL FAILURE	Error		Code File Manufacturer CVS Validation Failure	For SYSLOG only, append: Code File: <P1> - Code File Server: <P2>. P1= Code file name, P2 = code file server IP address	E203.0	69020300	docsDevCm-SwUpgrade-FailTrap
SW Upgrade	SW UPGRADE GENERAL FAILURE	Error		Code File Co-Signer CVC Validation Failure	For SYSLOG only, append: Code File: <P1> - Code File Server: <P2>. P1= Code file name, P2 = code file server IP address	E204.0	69020400	docsDevCm-SwUpgrade-FailTrap

Processes	Sub-Process	CM Priority	CMTS Priority	Event Message	Message Notes And Details	Error Code Set	Event ID	Trap Name
SW Upgrade	SW UPGRADE GENERAL FAILURE	Error		Code File Co-Signer CVS Validation Failure	For SYSLOG only, append: Code File: <P1> - Code File Server: <P2>. P1= Code file name, P2 = code file server IP address	E205.0	69020500	docsDevCm-SwUpgrade-FailTrap
<b>VERIFICATION OF CVC</b>								
SW Upgrade	VERIFICATION OF CVC	Error		Improper Configuration File CVC Format	For SYSLOG only, append: Config File: <P1> - TFTP Server: <P2> P1 = Config File Name P2 = TFTP Server IP Address	E206.0	69020600	docsDevCm-SwUpgradeCVC-FailTrap
SW Upgrade	VERIFICATION OF CVC	Error		Configuration File CVC Validation Failure	For SYSLOG only, append: Config File: <P1> - TFTP Server: <P2> P1 = Config File Name P2 = TFTP Server IP Address	E207.0	69020700	docsDevCm-SwUpgradeCVC-FailTrap
SW Upgrade	VERIFICATION OF CVC	Error		Improper SNMP CVC Format	For SYSLOG only, append: SNMP Manager: <P1>. P1= IP Address of SNMP Manager	E208.0	69020800	docsDevCm-SwUpgradeCVC-FailTrap
SW Upgrade	VERIFICATION OF CVC*	Error		SNMP CVC Validation Failure	For SYSLOG only, append: SNMP Manager: <P1>. P1=IP Address of SNMP Manager	E209.0	69020900	docsDevCm-SwUpgradeCVC-FailTrap
<b>UCC-REQ Upstream Channel Change Request</b>								
UCC	UCC Request	Error	Warning	UCC-REQ received with invalid or out of range US channel ID.		C01.0	67000100	
UCC	UCC Request	Error	Warning	UCC-REQ received unable to send UCC-RSP.		C02.0	67000200	
<b>UCC-RSP Upstream Channel Change Response</b>								

Processes	Sub-Process	CM Priority	CMTS Priority	Event Message	Message Notes And Details	Error Code Set	Event ID	Trap Name
UCC	UCC Response		Warning	UCC-RSP not received on previous channel ID.		C101.0	67010100	
UCC	UCC Response		Warning	UCC-RSP received with invalid channel ID.		C102.0	67010200	
UCC	UCC Response		Warning	UCC-RSP received with invalid channel ID on new channel.		C103.0	67010300	
<b>Dynamic Channel Change Request</b>								
DCC	DCC Request	Error	Warning	DCC rejected already there		C201.0	67020100	DocsDevCm-DccReqFail-Trap, docs-DevCmtsDccReqFailTrap
DCC	DCC Request	Informational	Notice	DCC depart old		C202.0	67020200	DocsDevCm-DccReqFail-Trap, docs-DevCmtsDccReqFailTrap
DCC	DCC Request	Informational	Notice	DCC arrive new		C203.0	67020300	DocsDevCm-DccReqFail-Trap, docs-DevCmtsDccReqFailTrap
DCC	DCC Request	Critical	Warning	DCC aborted unable to acquire new downstream channel		C204.0	67020400	
DCC	DCC Request	Critical	Warning	DCC aborted no UCD for new upstream channel		C205.0	67020500	
DCC	DCC Request	Critical	Warning	DCC aborted unable to communicate on new upstream channel		C206.0	67020600	
DCC	DCC Request	Error	Warning	DCC rejected unspecified reason		C207.0	67020700	DocsDevCm-DccReqFail-Trap, docs-DevCmtsDccReqFailTrap
DCC	DCC Request	Error	Warning	DCC rejected permanent - DCC not supported		C208.0	67020800	DocsDevCm-DccReqFail-Trap, docs-DevCmtsDccReqFailTrap
DCC	DCC Request	Error	Warning	DCC rejected service flow not found		C209.0	67020900	DocsDevCm-DccReqFail-Trap, docs-DevCmtsDccReqFailTrap

Processes	Sub-Process	CM Priority	CMTS Priority	Event Message	Message Notes And Details	Error Code Set	Event ID	Trap Name
DCC	DCC Request	Error	Warning	DCC rejected required parameter not present		C210.0	67021000	DocsDevCm-DccReqFailTrap, docs-DevCmtsDccReqFailTrap
DCC	DCC Request	Error	Warning	DCC rejected authentication failure		C211.0	67021100	DocsDevCm-DccReqFailTrap, docs-DevCmtsDccReqFailTrap
DCC	DCC Request	Error	Warning	DCC rejected multiple errors		C212.0	67021200	DocsDevCm-DccReqFailTrap, docs-DevCmtsDccReqFailTrap
DCC	DCC Request	Error	Warning	DCC rejected, duplicate SF reference-ID or index in message		C215.0	67021500	DocsDevCm-DccReqFailTrap, docs-DevCmtsDccReqFailTrap
DCC	DCC Request	Error	Warning	DCC rejected parameter invalid for context		C216.0	67021600	DocsDevCm-DccReqFailTrap, docs-DevCmtsDccReqFailTrap
DCC	DCC Request	Error	Warning	DCC rejected message syntax error		C217.0	67021700	DocsDevCm-DccReqFailTrap, docs-DevCmtsDccReqFailTrap
DCC	DCC Request	Error	Warning	DCC rejected message too big		C218.0	67021800	DocsDevCm-DccReqFailTrap, docs-DevCmtsDccReqFailTrap
DCC	DCC Request	Error	Warning	DCC rejected 2.0 mode disabled		C219.0	67021900	docsDevCm-DccReqFailTrap, docs-DevCmtsDccReqFailTrap
<b>Dynamic Channel Change Response</b>								
DCC	DCC Response		Warning	DCC-RSP not received on old channel		C301.0	67030100	DocsDevCm-DccRspFailTrap, docs-DevCmtsDccRspFailTrap
DCC	DCC Response		Warning	DCC-RSP not received on new channel		C302.0	67030200	DocsDevCm-DccRspFailTrap, docs-DevCmtsDccRspFailTrap
DCC	DCC Response		Warning	DCC-RSP rejected unspecified reason		C303.0	67030300	DocsDevCm-DccRspFailTrap, docs-DevCmtsDccRspFailTrap

Processes	Sub-Process	CM Priority	CMTS Priority	Event Message	Message Notes And Details	Error Code Set	Event ID	Trap Name
DCC	DCC Response		Warning	DCC-RSP rejected unknown transaction ID		C304.0	67030400	DocsDevCm-DccRspFail-Trap, docs-DevCmtsDcc RspFailTrap
DCC	DCC Response		Warning	DCC-RSP rejected authentication failure		C305.0	67030500	DocsDevCm-DccRspFail-Trap, docs-DevCmtsDcc RspFailTrap
DCC	DCC Response		Warning	DCC-RSP rejected message syntax error		C306.0	67030600	DocsDevCm-DccRspFail-Trap, docs-DevCmtsDcc RspFailTrap
<b>Dynamic Channel Change Acknowledgement</b>								
DCC	DCC Acknowledgement	Error	Warning	DCC-ACK not received		C401.0	67040100	DocsDevCm-DccAckFail-Trap, docs-DevCmtsDcc AckFailTrap
DCC	DCC Acknowledgement	Error	Warning	DCC-ACK rejected unspecified reason		C402.0	67040200	DocsDevCm-DccAckFail-Trap, docs-DevCmtsDcc AckFailTrap
DCC	DCC Acknowledgement	Error	Warning	DCC-ACK rejected unknown transaction ID		C403.0	67040300	DocsDevCm-DccAckFail-Trap, docs-DevCmtsDcc AckFailTrap
DCC	DCC Acknowledgement	Error	Warning	DCC-ACK rejected authentication failure		C404.0	67040400	DocsDevCm-DccAckFail-Trap, docs-DevCmtsDcc AckFailTrap
DCC	DCC Acknowledgement	Error	Warning	DCC-ACK rejected message syntax error		C405.0	67040500	DocsDevCm-DccAckFail-Trap, docs-DevCmtsDcc AckFailTrap

## **Annex E Application of [RFC 2933] to DOCSIS 2.0 Active/Passive IGMP Devices (normative)**

### **E.1 DOCSIS 2.0 IGMP MIBs**

DOCSIS 2.0 devices, CM and CMTS, that support IGMP (in active or passive mode), **MUST** support the IDMR IGMP MIB [RFC 2933]. As such, this section describes the application of the IETF IDMR sub-committee IGMP MIB to DOCSIS 2.0 active/passive IGMP devices.

The IDMR IGMP MIB is organized into two distinct tables, the interface and cache tables. The IGMP Interface Table contains entries for each interface that supports IGMP on a device. For DOCSIS 2.0 this includes the NSI and HFC for the CMTS and the HFC and CMCI on the CM. The IGMP Cache Table contains one row for each IP Multicast Group for which there are active members on a given interface. Active membership **MUST** only exist on the CMCI of a Cable Modem. However, active membership **MAY** exist on both the NSI and HFC side interfaces of the CMTS. This is because a CMTS may be implemented as a Multicast Router on which other network side devices are actively participating in a multicast session.

Support of the IDMR IGMP MIB by DOCSIS 2.0 devices is presented in terms of IGMP capabilities, the device type (CM or CMTS), and the interface on which IGMP is supported. This is followed by a set of new IGMP MIB conformance, compliance and group statements for DOCSIS 2.0 devices.

#### **E.1.1 IGMP Capabilities: Active and Passive Mode**

There are two basic modes of IGMP capability that are applicable to a DOCSIS 2.0 device. The first mode is a passive operation in which the device selectively forwards IGMP based upon the known state of multicast session activity on the subscriber side (an example of this is described in Appendix VI of [DOCSIS 5]). In passive mode, the device derives its IGMP timers based on the rules specified in section 5.3.1 of the RFI specification. The second mode is an active operation in which the device terminates and initiates IGMP based upon the known state of multicast session activity on the subscriber side. One example of the latter, active, mode is commonly referred to as an IGMP-Proxy implementation side (as described in [ID-IGMP]). A more complete example of an active IGMP device is that of a Multicast Router. Although a specific implementation is not imposed by the DOCSIS 2.0 specification, the device **MUST** meet the requirements stated in section 5.3.1 of [DOCSIS 5] and **MUST** support the IDMR IGMP MIB as described herein. As presently specified in the DOCSIS 2.0, active CMs are explicitly prohibited from transmitting IGMP Queries upstream onto the HFC. However, active CMTSs may transmit IGMP Queries onto the NSI as mentioned previously.

#### **E.1.2 IGMP Interfaces**

A description of the application of the IDMR IGMP MIB to DOCSIS 2.0 devices follows. This description is organized by CM and CMTS device type.

### **E.2 DOCSIS 2.0 CM Support for the IGMP MIB**

There are two types of interfaces applicable to IGMP on the DOCSIS 2.0 CM. These are the HFC-Side and CMCI-Side interfaces, respectively. Application of the IGMP MIB to DOCSIS 2.0 CMs is presented in terms of passive and active CM operation and these two interface types.

## **E.2.1 igmpInterfaceTable- igmpInterfaceEntry**

### **E.2.1.1 igmpInterfaceIfIndex**

The ifIndex value of the interface for which IGMP is enabled.

#### ***E.2.1.1.1 All Modes***

This is the same for passive and active modes.

HFC-side: not-accessible. ifIndex of docsCableMaclayer(127), CATV MAC Layer

CMCI-side: not-accessible. ifIndex of CMCI-Side interface.

### **E.2.1.2 igmpInterfaceQueryInterval**

The frequency at which IGMP Host-Query packets are transmitted on this interface.

#### ***E.2.1.2.1 Passive Mode***

HFC-side: n/a, read-only. The CM MUST not transmit queries upstream. Return a value of zero.

CMCI-side: read only. This value is derived based on the interval of queries received from an upstream querier.

#### ***E.2.1.2.2 Active Mode***

HFC-side: n/a, read-only. The CM MUST not transmit queries upstream. Return a value of zero.

CMCI-side: read-create. Min = 0; Max =  $(2^{32}-1)$ ; Default = 125

### **E.2.1.3 igmpInterfaceStatus**

The activation of a row enables IGMP on the interface. The destruction of a row disables IGMP on the interface.

#### ***E.2.1.3.1 All Modes***

MUST be enabled on both interfaces for all DOCSIS 2.0 CM interfaces.

### **E.2.1.4 igmpInterfaceVersion**

The version of IGMP which is running on this interface. MUST be version 2 for all DOCSIS 2.0 CM interfaces.

### **E.2.1.5 igmpInterfaceQuerier**

The address of the IGMP Querier on the IP subnet to which this interface is attached.

**E.2.1.5.1 Passive Mode**

HFC-side: read-only. MUST be the address of an upstream IGMP Querier device for both active and passive CMs.

CMCI-side: read-only. Same as HFC-side value.

**E.2.1.5.2 Active Mode**

HFC-side: read-only. MUST be the address of an upstream IGMP Querier device for both active and passive CMs.

CMCI-side: read-only. Active CMs may report it as the HFC-side value. However, active CMs that participate in IGMP Querier negotiation on the CMCI may report it as a different CPE.

**E.2.1.6 igmpInterfaceQueryMaxResponseTime**

The maximum query response time advertised in IGMPv2 queries on this interface.

**E.2.1.6.1 Passive Mode**

HFC-side: n/a, read-only. return a value of zero.

CMCI-side: read-only. This value is derived from observation of queries received from an upstream querier

**E.2.1.6.2 Active Mode**

HFC-side: n/a, read-only. return a value of zero.

CMCI-side: read-create. Min = 0; Max = 255; Default = 100.

**E.2.1.7 igmpInterfaceQuerierUpTime**

The time since igmpInterfaceQuerier was last changed.

**E.2.1.7.1 PassiveMode**

HFC-side: read-only.

CMC-side: n/a, read-only. Return a value of zero.

**E.2.1.7.2 Active Mode**

HFC-side: read-only.

CMCI-side: read-only.

### **E.2.1.8 igmpInterfaceQuerierExpiryTime**

The amount of time remaining before the other querier present timer expires. If the local system is the querier, the value of this object is zero.

#### ***E.2.1.8.1 Passive Mode***

Both interfaces: n/a, read-only. The CM is never the querier, return 0.

#### ***E.2.1.8.2 Active Mode***

HFC-side: n/a, read-only. Return 0.

CMCI-side: read-only. The CM may only be the querier on the CMCI.

### **E.2.1.9 igmpInterfaceVersion1QuerierTimer**

The time remaining until the host assumes that there are no IGMPv1 routers present on the interface. While this is non-zero, the host will reply to all queries with version 1 membership reports.

#### ***E.2.1.9.1 Passive Mode***

HFC-side: n/a read-only. Return a value of zero.

CMCI-side: n/a read-only. Return a value of zero.

#### ***E.2.1.9.2 Active Mode***

HFC-side: read-only.

CMCI-side: read-only.

### **E.2.1.10 igmpInterfaceWrongVersionQueries**

The number of queries received whose IGMP version does not match igmpInterfaceVersion, over the lifetime of the row entry. IGMP requires that all routers on a LAN be configured to run the same version of IGMP. Although, DOCSIS 2.0 requires that all CM and CMTS devices support IGMPv2, it is possible for an upstream querier to be an IGMPv1 querier.

#### ***E.2.1.10.1 All Modes***

All interfaces: read-only. The number of non-v2 queries received on this interface.

### **E.2.1.11 igmpInterfaceJoins**

The number of times a group membership has been added on this interface; that is, the number of times an entry for this interface has been added to the Cache Table. This object gives an indication of the amount of IGMP activity over the lifetime of the row entry.

All HFC-side: n/a, read-only. Always return a value of zero (see CMCI-side).

IAll CMCI-side: read-only. Group membership is defined to only exist on the CMCI.

#### **E.2.1.12 igmpInterfaceProxyIfIndex**

Some devices implement a form of IGMP proxying whereby memberships learned on the interface represented by this row, cause IGMP Host Membership Reports to be sent on the interface whose ifIndex value is given by this object. Such a device would implement the igmpV2RouterMIBGroup only on its router interfaces (those interfaces with non-zero igmpInterfaceProxyIfIndex). Typically, the value of this object is 0, indicating that no proxying is being done.

##### ***E.2.1.12.1 Passive Mode***

All Interfaces: read-only. Always return a value of zero.

##### ***E.2.1.12.2 Active Mode***

HFC-side: read-only. Always return a value of zero.

CMCI-side: read-only. Always return a ifIndex for HFC-side interface.

#### **E.2.1.13 igmpInterfaceGroups**

The current number of entries for this interface in the Cache Table.

##### ***E.2.1.13.1 All HFC-side***

n/a, read-only. Always return a value of zero (see CMCI-side).

##### ***E.2.1.13.2 All CMCI-side***

read-only. Group membership is defined to only exist on the CMCI.

Number of active sessions Proxied or Active on this Interface.

#### **E.2.1.14 igmpInterfaceRobustness**

The robustness variable allows tuning for the expected packet loss on a subnet. If a subnet is expected to be lossy, the robustness variable may be increased. IGMP is robust to (robustness variable - 1) packet losses.

##### ***E.2.1.14.1 Passive Mode***

HFC-side: n/a read-only. Return a value of zero.

CMCI-side: n/a read-only. Return a value of zero.

##### ***E.2.1.14.2 Active Mode***

All interfaces: read-create. Min = 1; Max = (232-1); Default = 2

### **E.2.1.15 igmpInterfaceLastMemberQueryIntvl**

The last member query interval is the max response time inserted into group specific queries sent in response to leave group messages, and is also the amount of time between group specific query messages. This value may be tuned to modify the leave latency of the network. A reduced value results in reduced time to detect the loss of the last member of a group.

#### ***E.2.1.15.1 Passive Mode***

HFC-side: n/a, read-only. return a value of zero.

CMCI-side: read-only. This value is derived from observation of queries received from an upstream querier

#### ***E.2.1.15.2 Active Mode***

HFC-side: n/a, read-only. return a value of zero.

CMCI-side: read-create. Min = 0; Max = 255; Default = 100.

## **E.2.2 igmpCacheTable - igmpCacheEntry**

### **E.2.2.1 igmpCacheAddress**

The IP multicast group address for which this entry contains information.

#### ***E.2.2.1.1 All Modes***

Not-accessible (index). Report the address of active IP Multicast on the CMCI interface.

### **E.2.2.2 igmpCacheIfIndex**

The interface for which this entry contains information for an IP multicast group address.

#### ***E.2.2.2.1 All Modes***

MUST only apply to CMCI interface (e.g., membership is only active on subscriber side of CM).

### **E.2.2.3 igmpCacheSelf**

An indication of whether the local system is a member of this group address on this interface.

#### ***E.2.2.3.1 Passive Mode***

Read-only. MUST be set to FALSE. The CM is not a member of any group.

#### ***E.2.2.3.2 Active Mode***

Read-create. Implementation specific. If the CM is configured to be a member of the group, then membership reports are sent with the CM's IP Address but MUST ONLY be sent in proxy for active sessions on the CMCI

(e.g., the CM MUST NOT be a member of a multicast group that is not active on the CMCI). If the CM is not configured to be a member, then the source IP Address of membership reports MUST be set to the current value of the `igmpCacheLastReporter` address.

#### **E.2.2.4 igmpCacheLastReporter**

The IP address of the source of the last membership report received for this IP Multicast group address on this interface. If no membership report has been received, this object has the value of 0.0.0.0.

##### *E.2.2.4.1 All Modes*

MUST only apply to last reporter on CMCI interface (e.g., membership is only active on subscriber side of CM).

#### **E.2.2.5 igmpCacheUpTime**

The time elapsed since this entry was created.

##### *E.2.2.5.1 All Modes*

read-only. MUST only apply to duration of membership on CMCI interface (e.g., membership is only active on subscriber side of CM).

#### **E.2.2.6 igmpCacheExpiryTime**

The minimum amount of time remaining before this entry will be aged out.

##### *E.2.2.6.1 All Modes*

read-only. MUST only apply to duration of membership on CMCI interface (e.g., membership is only active on subscriber side of CM).

#### **E.2.2.7 igmpCacheStatus**

The status of this entry.

##### *E.2.2.7.1 All Modes*

read-create. MUST only apply to membership on CMCI interface (e.g., membership is only active on subscriber side of CM). Deletion of a row results in preventing downstream forwarding to this IP Multicast group address on this interface.

#### **E.2.2.8 igmpCacheVersion1HostTimer**

The time remaining until the local querier will assume that there are no longer any IGMP version 1 members on the IP subnet attached to this interface. Upon hearing any IGMPv1 membership report, this value is reset to the group membership timer. While this time remaining is non-zero, the local querier ignores any IGMPv2 leave messages for this group that it receives on this interface.

### ***E.2.2.8.1 Passive Mode***

All interfaces: n/a, read-only. Return a value of zero.

### ***E.2.2.8.2 Active Mode***

HFC-side: n/a, read-only. Return a value of zero.

CMCI-side: read-only.

## **E.3 Docsis 2.0 CMTS support for the IGMP MIB**

There are two types of interfaces applicable to IGMP on the DOCSIS 2.0 CMTS. These are the NSI-Side and NSI-Side interfaces, respectively. Application of the IGMP MIB to DOCSIS 2.0 CMTSes is presented in terms of passive and active CMTS operation and these two interface types.

It is important to note that an active IGMP capable CMTS may be implemented as a proxy, router, or hybrid device. As such, the CMTS may be capable of querying on both its NSI and HFC side interfaces and may manage membership for devices on its NSI interfaces (e.g., as a multicast router). This is different than an active CM, which **MUST NOT** query on its HFC side interface (e.g., it may only query on its CMCI). This capability is accounted for in the application of the IGMP MIB to the CMTS.

### **E.3.1 igmpInterfaceTable- igmpInterfaceEntry**

#### **E.3.1.1 igmpInterfaceIfIndex**

The ifIndex value of the interface for which IGMP is enabled.

##### ***E.3.1.1.1 All Modes***

This is the same for passive and active modes.

NSI-side: not-accessible. ifIndex of applicable network side interface(s).

HFC-side: not-accessible. ifIndex of docsCableMaclayer(127), CATV MAC Layer interface.

#### **E.3.1.2 igmpInterfaceQueryInterval**

The frequency at which IGMP Host-Query packets are transmitted on this interface.

##### ***E.3.1.2.1 Passive Mode***

NSI-side: n/a, read-only. Return a value of zero.

HFC-side: read only. This value is derived based on the interval of queries received from a Network Side querier.

##### ***E.3.1.2.2 Active Mode***

NSI-side: read-create. Min = 0; Max = (2<sup>32</sup>-1); Default = 125

HFC-side: read-create. Min = 0; Max = (2<sup>32</sup>-1); Default = 125

### **E.3.1.3 igmpInterfaceStatus**

#### *E.3.1.3.1 All Modes*

The activation of a row enables IGMP on the interface. The destruction of a row disables IGMP on the interface.

### **E.3.1.4 igmpInterfaceVersion**

The version of IGMP which is running on this interface. MUST be version 2 for all DOCSIS 2.0 CMTS interfaces.

### **E.3.1.5 igmpInterfaceQuerier**

The address of the IGMP Querier on the IP subnet to which this interface is attached.

#### *E.3.1.5.1 Passive Mode*

NSI-side: read-only. This is the address of a network side device.

HFC-side: read-only. Same as NSI-side value.

#### *E.3.1.5.2 Active Mode*

NSI-side: read-only.

HFC-side: read-only. Active CMTSs MUST report this as an IP Address assigned to the CMTS's HFC-side interface. That is, queries MUST not originate from CMs or CPE.

### **E.3.1.6 igmpInterfaceQueryMaxResponseTime**

The maximum query response time advertised in IGMPv2 queries on this interface.

#### *E.3.1.6.1 Passive Mode*

NSI-side: n/a, read-only. return a value of zero.

HFC-side: read-only. This value is derived from observation of queries received from a network side querier.

#### *E.3.1.6.2 Active Mode*

NSI-side: read-create. Min = 0; Max = 255; Default = 100.

HFC-side: read-create. Min = 0; Max = 255; Default = 100.

### **E.3.1.7 igmpInterfaceQuerierUpTime**

The time since igmpInterfaceQuerier was last changed.

### ***E.3.1.7.1 PassiveMode***

NSI-side: read-only.

HFC-side: n/a, read-only. Return a value of zero.

### ***E.3.1.7.2 Active Mode***

NSI-side: read-only.

HFC-side: read-only.

## **E.3.1.8 igmpInterfaceQuerierExpiryTime**

The amount of time remaining before the other querier present timer expires. If the local system is the querier, the value of this object is zero.

### ***E.3.1.8.1 Passive Mode***

Both interfaces: n/a, read-only. The CMTS is not the querier, return 0.

### ***E.3.1.8.2 Active Mode***

NSI-side: read-only.

HFC-side: read-only. The CMTS MUST be the only querier on the HFC.

## **E.3.1.9 igmpInterfaceVersion1QuerierTimer**

The time remaining until the host assumes that there are no IGMPv1 routers present on the interface. While this is non-zero, the host will reply to all queries with version 1 membership reports.

### ***E.3.1.9.1 Passive Mode***

NSI-side: n/a read-only. Return a value of zero.

HFC-side: n/a read-only. Return a value of zero.

### ***E.3.1.9.2 Active Mode***

NSI-side: read-only.

HFC-side: read-only.

## **E.3.1.10 igmpInterfaceWrongVersionQueries**

The number of queries received whose IGMP version does not match igmpInterfaceVersion, over the lifetime of the row entry. IGMP requires that all routers on a LAN be configured to run the same version of IGMP. Although, DOCSIS 2.0 requires that all CMTS and CMTSTS devices support IGMPv2, it is possible for a network side querier to be an IGMPv1 querier.

### ***E.3.1.10.1 All Modes***

All interfaces: read-only. The number of non-v2 queries received on this interface.

### **E.3.1.11 igmpInterfaceJoins**

The number of times a group membership has been added on this interface; that is, the number of times an entry for this interface has been added to the Cache Table. This object gives an indication of the amount of IGMP activity over the lifetime of the row entry.

#### ***E.3.1.11.1 Passive Mode***

NSI-side: n/a read-only. Return a value of zero.

HFC-side: n/a read-only. Return a value of zero.

#### ***E.3.1.11.2 Active Mode***

NSI-side: read-only.

HFC-side: read-only.

### **E.3.1.12 igmpInterfaceProxyIfIndex**

Some devices implement a form of IGMP proxying whereby memberships learned on the interface represented by this row, cause IGMP Host Membership Reports to be sent on the interface whose ifIndex value is given by this object. Such a device would implement the igmpV2RouterMIBGroup only on its router interfaces (those interfaces with non-zero igmpInterfaceProxyIfIndex). Typically, the value of this object is 0, indicating that no proxying is being done.

#### ***E.3.1.12.1 Passive Mode***

All Interfaces: read-only. Always return a value of zero.

#### ***E.3.1.12.2 Active Mode***

NSI-side: read-only.

HFC-side: read-only. Always return an ifIndex for a NSI-side interface.

### **E.3.1.13 igmpInterfaceGroups**

The current number of entries for this interface in the Cache Table.

#### ***E.3.1.13.1 Passive Mode***

NSI-side: n/a read-only. Return a value of zero.

HFC-side: n/a read-only. Group membership of HFC-side devices.

### ***E.3.1.13.2 Active Mode***

NSI-side: read-only.

HFC-side: read-only.

### **E.3.1.14 igmpInterfaceRobustness**

The robustness variable allows tuning for the expected packet loss on a subnet. If a subnet is expected to be lossy, the robustness variable may be increased. IGMP is robust to (robustness variable - 1) packet losses.

#### ***E.3.1.14.1 Passive Mode***

NSI-side: n/a read-only. Return a value of zero.

HFC-side: n/a read-only. Return a value of zero.

#### ***E.3.1.14.2 Active Mode***

All interfaces: read-create. Min = 1; Max = (2<sup>32</sup>-1); Default = 2

### **E.3.1.15 igmpInterfaceLastMemberQueryIntvl**

The last member query interval is the max response time inserted into group specific queries sent in response to leave group messages, and is also the amount of time between group specific query messages. This value may be tuned to modify the leave latency of the network. A reduced value results in reduced time to detect the loss of the last member of a group.

#### ***E.3.1.15.1 Passive Mode***

NSI-side: n/a, read-only. return a value of zero.

HFC-side: read-only. This value is derived from observation of queries received from a network side querier.

#### ***E.3.1.15.2 Active Mode***

NSI-side: read-create. Min = 0; Max = 255; Default = 100.

HFC-side: read-create. Min = 0; Max = 255; Default = 100.

## **E.3.2 igmpCacheTable - igmpCacheEntry**

### **E.3.2.1 igmpCacheAddress**

The IP multicast group address for which this entry contains information.

#### ***E.3.2.1.1 All Modes***

Not-accessible (index). Report the address of active IP Multicast on the interface.

### **E.3.2.2 igmpCacheIndex**

The interface for which this entry contains information for an IP multicast group address.

#### ***E.3.2.2.1 Passive Mode***

MUST only apply to HFC side interface (e.g., membership is only active on subscriber side of CMTS).

#### ***E.3.2.2.2 Active Mode***

NSI-side: not-accessible

HFC-side: not-accessible

### **E.3.2.3 igmpCacheSelf**

An indication of whether the local system is a member of this group address on this interface.

#### ***E.3.2.3.1 Passive Mode***

read-only. MUST be set to FALSE. The CMTS is not a member of any group.

#### ***E.3.2.3.2 Active Mode***

NSI-side: read-create. Implementation specific (i.e., may apply to RIPv2 or OSPF)

HFC-side: MUST be set to FALSE. The CMTS is not a member of any group on the HFC.

### **E.3.2.4 igmpCacheLastReporter**

The IP address of the source of the last membership report received for this IP Multicast group address on this interface. If no membership report has been received, this object has the value of 0.0.0.0.

#### ***E.3.2.4.1 Passive Mode***

MUST only apply to last reporter on HFC-side interface (e.g., membership is only active on subscriber side of CMTS).

#### ***E.3.2.4.2 Active Mode***

NSI-side: read-only

HFC-side: read-only

### **E.3.2.5 igmpCacheUpTime**

The time elapsed since this entry was created.

### ***E.3.2.5.1 Passive Mode***

MUST only apply to duration of membership on HFC-side interface (e.g., membership is only active on subscriber side of CMTS).

### ***E.3.2.5.2 Active Mode***

NSI-side: read-only

HFC-side: read-only

## **E.3.2.6 igmpCacheExpiryTime**

The minimum amount of time remaining before this entry will be aged out.

### ***E.3.2.6.1 Passive Mode***

MUST only apply to duration of membership on HFC-side interface (e.g., membership is only active on subscriber side of CMTS).

### ***E.3.2.6.2 Active Mode***

NSI-side: read-only

HFC-side: read-only

## **E.3.2.7 igmpCacheStatus**

The status of this entry.

### ***E.3.2.7.1 Passive Mode***

read-create MUST only apply to membership on HFC-side interface (e.g., membership is only active on subscriber side of CMTS). Deletion of a row results in preventing downstream forwarding to this IP Multicast group address on this interface.

### ***E.3.2.7.2 Active Mode***

NSI-side: read-create

HFC-side: read-create

## **E.3.2.8 igmpCacheVersion1HostTimer**

The time remaining until the local querier will assume that there are no longer any IGMP version 1 members on the IP subnet attached to this interface. Upon hearing any IGMPv1 membership report, this value is reset to the group membership timer. While this time remaining is non-zero, the local querier ignores any IGMPv2 leave messages for this group that it receives on this interface.

**E.3.2.8.1 Passive Mode**

All interfaces: n/a, read-only. Return a value of zero.

**E.3.2.8.2 Active Mode**

NSI-side: read-only.

HFC-side: read-only.

**E.3.3 IGMP MIB Compliance****E.3.3.1 docsIgmpV2PassiveDeviceCompliance**

```
docsIgmpV2PassiveDeviceCompliance MODULE-COMPLIANCE
  STATUS current
  DESCRIPTION
    "The compliance statement for DOCSIS Devices passively running IGMPv2 and
    implementing the IGMP MIB."
  MODULE - this module
  MANDATORY-GROUPS { igmpBaseMIBGroup,
                      igmpRouterMIBGroup,
                      igmpV2RouterMIBGroup
                    }

  OBJECT igmpInterfaceStatus
  MIN-ACCESS read-only
  DESCRIPTION
    "Write access is not required."

  OBJECT igmpCacheStatus
  MIN-ACCESS read-only
  DESCRIPTION
    "Write access is not required."

  ::= { docsIgmpMIBCompliances 1 }
```

**E.3.3.2 docsIgmpV2ActiveDeviceCompliance**

```
docsIgmpV2ActiveCmCompliance MODULE-COMPLIANCE
  STATUS current
  DESCRIPTION
    "The compliance statement for DOCSIS Devices actively running IGMPv2 and
    implementing the IGMP MIB."
  MODULE - this module
  MANDATORY-GROUPS { igmpBaseMIBGroup,
                      igmpV2HostMIBGroup,
                      igmpRouterMIBGroup,
                      igmpV2RouterMIBGroup
                    }

  OBJECT igmpInterfaceStatus
  MIN-ACCESS read-only
  DESCRIPTION
    "Write access is not required."

  OBJECT igmpCacheStatus
  MIN-ACCESS read-only
  DESCRIPTION
    "Write access is not required."

  ::= { docsIgmpMIBCompliances 2 }
```

### **E.3.4 MIB Groups**

See IGMP MIB for a description of the objects included in each group.

#### **E.3.4.1 igmpV2HostMIBGroup**

Active Devices only (optional - see notes for igmpCacheSelf).

#### **E.3.4.2 igmpV2RouterMIBGroup**

Active and Passive Devices

#### **E.3.4.3 igmpBaseMIBGroup**

Active and Passive Devices

#### **E.3.4.4 igmpV2RouterMIBGroup**

Active and Passive Devices

#### **E.3.4.5 igmpRouterMIBGroup**

Active and Passive Devices

#### **E.3.4.6 igmpV2HostOptMIBGroup**

Active and Passive Devices

#### **E.3.4.7 igmpV2ProxyMIBGroup**

Active Devices only.

## Annex F Expected Behaviors for DOCSIS 2.0 Modem in 1.0, 1.1, and 2.0 Modes in OSS Area (normative)

The following table identifies DOCSIS OSSl 2.0 CM features that MAY and MUST be implemented in 1.1 or 1.0 mode.

Specific requirement	Required behavior, DOCSIS 2.0 Modem in 1.0 Mode	Required behavior, DOCSIS 2.0 Modem in 1.1 Mode	Required behavior, DOCSIS 2.0 Modem in 2.0 Mode
Assignment of event-id	SHOULD support a 32-bit number with the following requirement: 1) Top bit is set to 0 for DOCSIS standard events; 2) top bit is set to 1 for vendor proprietary events.	MUST be a 32-bit number. Top bit is set to 0 for DOCSIS standard events. Top bit is set to 1 for vendor proprietary events.	MUST be a 32-bit number. Top bit is set to 0 for DOCSIS standard events. Top bit is set to 1 for vendor proprietary events.
Event Definitions	CM SHOULD support DOCSIS standard events defined in the OSSl 2.0 specification.	CM MUST support DOCSIS standard events defined in the OSSl 2.0 specification.	CM MUST support DOCSIS standard events defined in the OSSl 2.0 specification.
Default handling of events by priority. (Whether to store locally, send trap, or syslog message)	CM SHOULD behave as follows: Error and notice events are stored locally and sent as traps and syslog messages. Other event levels are stored only to the local log, except for informational and debug which are not stored or sent as traps or syslog messages.	CM MUST behave as follows: Error and notice events are stored locally and send traps and syslog messages. Other event levels store only to the local log, except for informational and debug which are not stored or cause any traps or syslog messages.	CM MUST behave as follows: Error and notice events are stored locally and send traps and syslog messages. Other event levels store only to the local log, except for informational and debug which are not stored or cause any traps or syslog messages.
Meaning of event levels	CM SHOULD support event level definitions specified by the OSSl 2.0 specification.	CM MUST support event level definitions specified by the OSSl 2.0 specification.	CM MUST support event level definitions specified by the OSSl 2.0 specification.

Specific requirement	Required behavior, DOCSIS 2.0 Modem in 1.0 Mode	Required behavior, DOCSIS 2.0 Modem in 1.1 Mode	Required behavior, DOCSIS 2.0 Modem in 2.0 Mode
Event storage in docsDevEventTable	Each entry in the docsDevEventTable contains an event-ID (identical to the Eventid requirement specified in Section 7.4.2.2.2), event time stamp when the event occurred first time and last time, number of appearances and event description in human-readable English format. Total length of the each event description entry MUST not be longer than 255 characters (max. defined for SNMPAdminString). Each event, or group of consecutive events with identical eventIds MUST constitute at least one row in the docsDevEvReporting table. For groups of consecutive events with identical eventIds, the CM MAY choose to store only a single row. In such a case, the event text of that row MUST match that of the most recent event. The event count MUST represent the number of events associated with that row. The first and last time columns MUST contain the time at which the least recent and most recent events associated with the row occurred respectively.	Each entry in the docsDevEventTable contains an event-ID (identical to the Eventid requirement specified in Section 7.4.2.2.2), event time stamp when the event occurred first time and last time, number of appearances and event description in human-readable English format. Total length of the each event description entry MUST not be longer than 255 characters (max. defined for SNMPAdminString). Each event, or group of consecutive events with identical eventIds MUST constitute at least one row in the docsDevEvReporting table. For groups of consecutive events with identical eventIds, the CM MAY choose to store only a single row. In such a case, the event text of that row MUST match that of the most recent event. The event count MUST represent the number of events associated with that row. The first and last time columns MUST contain the time at which the least recent and most recent events associated with the row occurred respectively.	Each entry in the docsDevEventTable contains an event-ID (identical to the Eventid requirement specified in Section 7.4.2.2.2), event time stamp when the event occurred first time and last time, number of appearances and event description in human-readable English format. Total length of the each event description entry MUST not be longer than 255 characters (max. defined for SNMPAdminString). Each event, or group of consecutive events with identical eventIds MUST constitute at least one row in the docsDevEvReporting table. For groups of consecutive events with identical eventIds, the CM MAY choose to store only a single row. In such a case, the event text of that row MUST match that of the most recent event. The event count MUST represent the number of events associated with that row. The first and last time columns MUST contain the time at which the least recent and most recent events associated with the row occurred respectively.
Number of rows in docsDevEventTable	CM MUST support a minimum of 10 rows of docsDevEventTable.	CM MAY support a minimum of 10 rows of docsDevEventTable.	CM MAY support a minimum of 10 rows of docsDevEventTable.
Event log persistence	Event log MUST persist across reboots	Event log MUST persist across reboots.	Event log MUST persist across reboots.
SNMP Version of Trap Control (when CM is in SNMP v1/v2c DocsDevNm Access mode)	CM MUST implement docsDevNmAccessTrapVersion, which controls whether SNMP V1 or V2 traps are sent.	CM MUST implement docsDevNmAccessTrapVersion, which controls whether SNMP V1 or V2 traps are sent.	CM MUST implement docsDevNmAccessTrapVersion, which controls whether SNMP V1 or V2 traps are sent.
Syslog message format	CM SHOULD support the syslog message with the format: <level>CABLEMODEM [vendor]: <eventId> textIOR<level>Cablemodem [vendor]: text	CM MUST support the syslog message with the format: <level>CABLEMODEM [vendor]: <eventId> text	CM MUST support the syslog message with the format: <level>CABLEMODEM [vendor]: <eventId> text
SNMP Protocol Requirement	CM MUST support SNMP v1/v2c and SNMPv3 with DH. CM must support SNMP requirements specified in Section 5.2 of the OSSI.	CM MUST support SNMP v1/v2c and SNMPv3 with DH	CM MUST support SNMP v1/v2c and SNMPv3 with DH
MIBs to implement	CM MUST support MIB objects as specified by Annex A.	CM MUST support MIB objects as specified by Annex A.	CM MUST support MIB objects as specified by Annex A.

Specific requirement	Required behavior, DOCSIS 2.0 Modem in 1.0 Mode	Required behavior, DOCSIS 2.0 Modem in 1.1 Mode	Required behavior, DOCSIS 2.0 Modem in 2.0 Mode
Deprecated MIB objects	Deprecated object is optional. If supported, the object MUST be implemented correctly. If not supported, the object MUST return appropriate SNMP error notifying that the object does not exist.	Deprecated object is optional. If supported, the object MUST be implemented correctly. If not supported, the object MUST return appropriate SNMP error notifying that the object does not exist.	Deprecated object is optional. If supported, the object MUST be implemented correctly. If not supported, the object MUST return appropriate SNMP error notifying that the object does not exist.
Configuration Management	CM MUST support configuration management requirement as specified by Section 7.2 of the OSSI 2.0 specification.	CM MUST support configuration management requirement as specified by Section 7.2 of the OSSI 2.0 specification.	CM MUST support configuration management requirement as specified by Section 7.2 of the OSSI 2.0 specification.
IP/LLC filters	CM SHOULD support LLC/IP filter requirement as specified by OSSI 2.0 specification.	CM MUST support LLC/IP filter requirement as specified by OSSI 2.0 specification.	CM MUST support LLC/IP filter requirement as specified by OSSI 2.0 specification.
CM interaction with CM configuration file	CM MUST process TLV type 11 entries in a configuration file as specified by Section 6.4 of the OSSI 2.0 specification.	CM MUST process TLV type 11 entries in a configuration file as specified by Section 6.4 of the OSSI 2.0 specification.	CM MUST process TLV type 11 entries in a configuration file as specified by Section 6.4 of the OSSI 2.0 specification.
Additional MIB objects requirement	CM MUST implement additional MIB object requirements (on top of RFCs) as specified in Section 6.3 of the OSSI 2.0 specification.	CM MUST implement additional MIB object requirements (on top of RFCs) as specified in Section 6.3 of the OSSI 2.0 specification.	CM MUST implement additional MIB object requirements (on top of RFCs) as specified in Section 6.3 of the OSSI 2.0 specification.
Performance management	CM MUST support performance management requirements as specified by Section 7.5 of the OSSI 2.0 specification.	CM MUST support performance management requirements as specified by Section 7.5 of the OSSI 2.0 specification.	CM MUST support performance management requirements as specified by Section 7.5 of the OSSI 2.0 specification.
OSS for CMCI	CM MUST support CMCI requirements as specified by Section 9 of the OSSI 2.0 specification.	CM MUST support CMCI requirements as specified by Section 9 of the OSSI 2.0 specification.	CM MUST support CMCI requirements as specified by Section 9 of the OSSI 2.0 specification.

This page intentionally left blank.

## Annex G DOCS-IF-EXT-MIB (normative)

All objects included in the DOCS-IF-EXT-MIB have corresponding objects in the MIB specified in DOCS-RFI-MIB.

A 2.0 CMTS and a 2.0 CM in 2.0 mode MUST implement both DOCS-IF-EXT-MIB and DOCS-RFI-MIB.

It is intended that an ECN will be released later requiring all CMs in all modes to support DOCS-RFI-MIB and deprecate DOCS-IF-EXT-MIB.

This MIB extends the [RFC 2670] DOCS-IF-MIB with three new objects defined. The new object, docsIfDocsisCapability, is used to indicate the DOCSIS capability of a cable device, that is whether it is DOCSIS1.1 capable or DOCSIS1.0 capable.

The new object, docsIfDocsisOperMode, is used to indicate whether it is registered as a DOCSIS1.1 device or DOCSIS1.0 device.

The new object, docsIfCmtsCmStatusDocsisMode, which augments the docsIfCmtsCmStatusTable in DOCS-IF-MIB, is used to indicate whether a CM is registered as DOCSIS1.1 modem or DOCSIS1.0 modem.

```
DOCS-IF-EXT-MIB DEFINITIONS ::= BEGIN

    IMPORTS
        MODULE-IDENTITY,
        OBJECT-TYPE
            FROM SNMPv2-SMI
        OBJECT-GROUP,
        MODULE-COMPLIANCE
            FROM SNMPv2-CONF
    TEXTUAL-CONVENTION
        FROM SNMPv2-TC
        docsIfMib,
        docsIfCmtsCmStatusEntry
            FROM DOCS-IF-MIB;

docsIfExtMib MODULE-IDENTITY
    LAST-UPDATED "0011160000Z" -- November 16, 2000
    ORGANIZATION "IETF IPCDN Working Group"
    CONTACT-INFO
        " "
    DESCRIPTION
        "This is the extension Module to rfc2670 DOCS-IF-MIB."
    REVISION "0010080000Z"
    DESCRIPTION
        "Initial Version. "
    ::= { docsIfMib 21 }

-- Textual Conventions
DocsisVersion ::= TEXTUAL-CONVENTION
    STATUS current
    DESCRIPTION "Indicates the docsis version number."
    SYNTAX INTEGER {
        docsis10 (1),
        docsis11 (2)
    }

docsIfDocsisCapability OBJECT-TYPE
    SYNTAX DocsisVersion
    MAX-ACCESS read-only
    STATUS current
    DESCRIPTION
```

```

        "Indication of the DOCSIS capability of the device.
    "
    ::= { docsIfExtMib 1 }

docsIfDocsisOperMode OBJECT-TYPE
    SYNTAX      DocsisVersion
    MAX-ACCESS  read-only
    STATUS      current
    DESCRIPTION
        "Indication whether the device has registered as a 1.0 or 1.1.

        For CMTS and unregistered CM, it is always the same as docsDevDocsisCapability.
    "
    ::= { docsIfExtMib 2 }

--
-- CM status table (within CMTS).
-- This table is implemented only at the CMTS.
-- It contains per CM status information available in the CMTS.
--

docsIfCmtsCmStatusExtTable OBJECT-TYPE
    SYNTAX      SEQUENCE OF DocsIfCmtsCmStatusExtEntry
    MAX-ACCESS  not-accessible
    STATUS      current
    DESCRIPTION
        "A set of objects in the CMTS, maintained for each
        Cable Modem connected to this CMTS."
    ::= { docsIfExtMib 3 }

docsIfCmtsCmStatusExtEntry OBJECT-TYPE
    SYNTAX      DocsIfCmtsCmStatusExtEntry
    MAX-ACCESS  not-accessible
    STATUS      current
    DESCRIPTION
        "Status information for a single Cable Modem.
        An entry in this table exists for each Cable Modem
        which is connected to the CMTS."
    AUGMENTS { docsIfCmtsCmStatusEntry }
    ::= { docsIfCmtsCmStatusExtTable 1 }

DocsIfCmtsCmStatusExtEntry ::= SEQUENCE {
    docsIfCmtsCmStatusDocsisMode      DocsisVersion
}

docsIfCmtsCmStatusDocsisMode OBJECT-TYPE
    SYNTAX      DocsisVersion
    MAX-ACCESS  read-only
    STATUS      current
    DESCRIPTION
        "Indication whether the CM has registered as a 1.0 or 1.1 modem
    "
    ::= { docsIfCmtsCmStatusExtEntry 1 }

docsIfExtConformance OBJECT IDENTIFIER ::= { docsIfExtMib 4 }
docsIfExtCompliances OBJECT IDENTIFIER ::= { docsIfExtConformance 1 }
docsIfExtGroups OBJECT IDENTIFIER ::= { docsIfExtConformance 2 }

-- compliance statements

docsIfExtCmCompliance MODULE-COMPLIANCE
    STATUS      current
    DESCRIPTION

```

```
        "The compliance statement."

MODULE -- docsIfExtMib

-- unconditionally mandatory groups for CM
MANDATORY-GROUPS {
    docsIfDocsisVersionGroup
}
 ::= { docsIfExtCompliances 1 }

docsIfDocsisVersionGroup OBJECT-GROUP
    OBJECTS {
        docsIfDocsisCapability,
        docsIfDocsisOperMode
    }
    STATUS      current
    DESCRIPTION
        "Object group to indicates DOCSIS version."
    ::= { docsIfExtGroups 1 }

docsIfExtCmtsCompliance MODULE-COMPLIANCE
    STATUS      current
    DESCRIPTION
        "The compliance statement."

MODULE -- docsIfExtMib

-- unconditionally mandatory groups for CMTS

MANDATORY-GROUPS {
    docsIfExtGroup,
    docsIfDocsisVersionGroup
}
 ::= { docsIfExtCompliances 2 }
docsIfExtGroup OBJECT-GROUP
    OBJECTS {
        docsIfCmtsCmStatusDocsisMode
    }
    STATUS      current
    DESCRIPTION
        "Mandatory implementation group for CMTS."
    ::= { docsIfExtGroups 2 }

END
```

This page intentionally left blank.

## Annex H DOCS-CABLE-DEVICE-TRAP-MIB (normative)

```
DOCS-CABLE-DEVICE-TRAP-MIB DEFINITIONS ::= BEGIN
```

```
IMPORTS
```

```
MODULE-IDENTITY,  
NOTIFICATION-TYPE
```

```
FROM SNMPv2-SMI
```

```
MODULE-COMPLIANCE,
```

```
NOTIFICATION-GROUP
```

```
FROM SNMPv2-CONF
```

```
docsDev,
```

```
--docsDevBase,
```

```
docsDevEvLevel,
```

```
docsDevEvId,
```

```
docsDevEvText,
```

```
docsDevSwFilename,
```

```
docsDevSwServer,
```

```
docsDevServerDhcp,
```

```
docsDevServerTime,
```

```
docsDevNotification
```

```
FROM DOCS-CABLE-DEVICE-MIB --RFC2669
```

```
docsIfCmCmtsAddress,
```

```
docsIfCmtsCmStatusMacAddress,
```

```
docsIfDocsisBaseCapability,
```

```
docsIfCmStatusDocsisOperMode,
```

```
docsIfCmStatusModulationType,
```

```
docsIfCmtsCmStatusDocsisRegMode,
```

```
docsIfCmtsCmStatusModulationType
```

```
FROM DOCS-IF-MIB -- draft-ietf-ipcdn-docs-rfmibv2-02
```

```
docsIfDocsisCapability, -- deprecated
```

```
docsIfDocsisOperMode, -- deprecated
```

```
docsIfCmtsCmStatusDocsisMode -- deprecated
```

```
FROM DOCS-IF-EXT-MIB -- deprecated
```

```
ifPhysAddress
```

```
FROM IF-MIB;
```

```
docsDevTrapMIB MODULE-IDENTITY
```

```
LAST-UPDATED "0202250000Z"
```

```
ORGANIZATION "Cisco Systems, Inc."
```

```
CONTACT-INFO "
```

```
Junming Gao
```

```
Cisco Systems Inc
```

```
<jgao@ cisco. com>
```

```
"
```

```
DESCRIPTION
```

```
"Modified by David Raftus (david.raftus@imedia.com) to deprecate trap definition objects  
originating from the docsIfExt MIB. Corresponding objects from the Docsis 2.0 RF MIB draft  
were added to the trap definitions."
```

```
REVISION "000926000000Z"
```

```
DESCRIPTION
```

```
"The CABLE DEVICE TRAP MIB is an extension of the CABLE DEVICE MIB defined in RFC2669. It  
defines various trap objects for both cable modem and cable modem termination systems. Two  
groups of SNMP notification objects are defined. One group is for notifying cable modem  
events and one group for notifying cable modem termination system events. Common to all CM  
notification objects (traps) is that their OBJECTS statements contain information about the  
event priority, the event Id, the event message body, the CM DOCSIS capability, the CM DOCSIS
```

QOS level, the CM DOCSIS upstream modulation type, the cable interface MAC address of the cable modem and the cable card MAC address of the CMTS to which the modem is connected. These objects are docsDevEvLevel, docsDevId, docsDevEvText, docsIfDocsisBaseCapability, docsIfCmStatusDocsisOperMode, docsIfCmStatusModulationType, ifPhysAddress and docsIfCmCmtsAddress. The values of docsDevEvLevel, docsDevId, and docsDevEvText are from the entry which logs this event in the docsDevEventTable, which is defined in DOCS-CABLE-DEVICE-MIB of [RFC 2669]. The docsIfDocsisBaseCapability, docsIfCmStatusDocsisOperMode, and docsIfCmStatusModulationType are defined in the DOCS-IF-MIB. The ifPhysAddress value is the MAC address of the cable interface of this cable modem. The docsIfCmCmtsAddress specifies the MAC address of the CMTS (if there is a cable card/ interface in the CMTS, then it is actually the cable interface MAC address to which the CM is connected). Individual CM trap may contain additional objects to provide necessary information.

Common to all CMTS notification objects (traps) is that their OBJECTS statements contain information about the event priority, the event Id, the event message body, the connected CM DOCSIS QOS status, the connected CM DOCSIS modulation type, the CM cable interface MAC address, the CMTS DOCSIS capability, and the CMTS MAC address.

These objects are docsDevEvLevel, docsDevId, docsDevEvText, docsIfCmtsCmStatusDocsisRegMode, docsIfCmtsCmStatusModulationType, docsIfCmtsCmStatusMacAddress, docsIfDocsisBaseCapability, and ifPhysAddress. The values of docsDevEvLevel, docsDevId, and docsDevEvText are similar to those in CM traps. The values of docsIfCmtsCmStatusDocsisRegMode, docsIfCmtsCmStatusModulationType, and docsIfCmtsCmStatusMacAddress are from the docsIfCmtsCmStatusEntry (defined in DOCS-IF-MIB) corresponding to a connected CM. The docsIfDocsisBaseCapability indicates the CMTS DOCSIS capability. The ifPhysAddress value is the CMTS MAC address (if there is a cable card/ interface in the CMTS, then it is actually the MAC address of the cable interface which connected to the CM).

```

"

 ::= { docsDev 10 }

--
--docsDevNotification OBJECT IDENTIFIER ::= { docsDev 2 }
--
docsDevTraps OBJECT IDENTIFIER ::= { docsDevNotification 1 }
docsDevTrapControl OBJECT IDENTIFIER ::= { docsDevTraps 1 }
docsDevCmTraps OBJECT IDENTIFIER ::= { docsDevTraps 2 0 }
docsDevCmtsTraps OBJECT IDENTIFIER ::= { docsDevTraps 3 0 }

docsDevCmTrapControl OBJECT-TYPE

SYNTAX BITS {
cmInitTLVUnknownTrap( 0),
cmDynServReqFailTrap( 1),
cmDynServRspFailTrap( 2),
cmDynServAckFailTrap( 3),
cmBpiInitTrap( 4),
cmBPKMTrap( 5),
cmDynamicSATrap( 6),
cmDHCPFailTrap( 7),
cmSwUpgradeInitTrap( 8),
cmSwUpgradeFailTrap( 9),
cmSwUpgradeSuccessTrap( 10),
cmSwUpgradeCVCTrap( 11),
cmTODFailTrap( 12),
cmDCCReqFailTrap( 13),
cmDCCRspFailTrap( 14),
cmDCCAckFailTrap( 15)
}

```

```

MAX-ACCESS read-write
STATUS current
DESCRIPTION
"The object is used to enable CM traps. From left to right, the set bit indicates the
corresponding CM trap is enabled. For example, if the first bit is set, then
docsDevCmInitTLVUnknownTrap is enabled. If it is zero, the trap is disabled.
"

DEFVAL { '00'h }
::= { docsDevTrapControl 1 }

docsDevCmtsTrapControl OBJECT-TYPE

SYNTAX BITS {
cmtsInitRegReqFailTrap( 0),
cmtsInitRegRspFailTrap( 1),
cmtsInitRegAckFailTrap( 2),
cmtsDynServReqFailTrap( 3),
cmtsDynServRspFailTrap( 4),
cmtsDynServAckFailTrap( 5),
cmtsBpiInitTrap( 6),
cmtsBPKMTrap( 7),
cmtsDynamicSATrap( 8),
cmtsDCCRReqFailTrap( 9),
cmtsDCCRspFailTrap( 10),
cmtsDCCAckFailTrap( 11)
}

MAX-ACCESS read-write
STATUS current
DESCRIPTION
"The object is used to enable CMTS traps. From left to right, the set bit indicates the
corresponding CMTS trap is enabled. For example, if the first bit is set, then
docsDevCmtsInitRegRspFailTrap is enabled. If it is zero, the trap is disabled.
"

DEFVAL { '00'h }
::= { docsDevTrapControl 2 }

docsDevCmInitTLVUnknownTrap NOTIFICATION-TYPE
OBJECTS { docsDevEvLevel,
docsDevEvId,
docsDevEvText,
docsIfDocsisCapability, -- deprecated
docsIfDocsisOperMode, -- deprecated
ifPhysAddress,
docsIfCmCmtsAddress,
docsIfDocsisBaseCapability,
docsIfCmStatusDocsisOperMode,
docsIfCmStatusModulationType }

STATUS current
DESCRIPTION
"Event due to detection of unknown TLV during the TLV parsing process. The values of
docsDevEvLevel, docsDevId, and docsDevEvText are from the entry which logs this event in the
docsDevEventTable. The docsIfDocsisBaseCapability indicates the DOCSIS version information.
The docsIfCmStatusDocsisOperMode indicates the QOS level of the CM, while the
docsIfCmStatusModulationType indicates the upstream modulation methodology used by the CM.
The ifPhysAddress value is the MAC address of the cable interface of this cable modem. The
docsIfCmCmtsAddress specifies the MAC address of the CMTS to which the CM is connected (if
there is a cable card/ interface in the CMTS, then it is actually the MAC address of the
cable interface which connected to the CM). This part of information is uniformed across all
CM traps.
"

```

```

 ::= { docsDevCmTraps 1 }

docsDevCmDynServReqFailTrap NOTIFICATION-TYPE
OBJECTS { docsDevEvLevel,
docsDevEvId,
docsDevEvText,
docsIfDocsisCapability, -- deprecated
docsIfDocsisOperMode, -- deprecated
ifPhysAddress,
docsIfCmCmtsAddress,
docsIfDocsisBaseCapability,
docsIfCmStatusDocsisOperMode,
docsIfCmStatusModulationType }

STATUS current
DESCRIPTION
"An event to report the failure of a dynamic service request happened during the dynamic
services process.
"

 ::= { docsDevCmTraps 2 }

docsDevCmDynServRspFailTrap NOTIFICATION-TYPE
OBJECTS { docsDevEvLevel,
docsDevEvId,
docsDevEvText,
docsIfDocsisCapability, -- deprecated
docsIfDocsisOperMode, -- deprecated
ifPhysAddress,
docsIfCmCmtsAddress,
docsIfDocsisBaseCapability,
docsIfCmStatusDocsisOperMode,
docsIfCmStatusModulationType }

STATUS current
DESCRIPTION
"An event to report the failure of a dynamic service response happened during the dynamic
services process.
"

 ::= { docsDevCmTraps 3 }

docsDevCmDynServAckFailTrap NOTIFICATION-TYPE
OBJECTS { docsDevEvLevel,
docsDevEvId,
docsDevEvText,
docsIfDocsisCapability, -- deprecated
docsIfDocsisOperMode, -- deprecated
ifPhysAddress,
docsIfCmCmtsAddress,
docsIfDocsisBaseCapability,
docsIfCmStatusDocsisOperMode,
docsIfCmStatusModulationType }

STATUS current
DESCRIPTION
"An event to report the failure of a dynamic service acknowledgement happened during the
dynamic services process.
"

 ::= { docsDevCmTraps 4 }

docsDevCmBpiInitTrap NOTIFICATION-TYPE
OBJECTS { docsDevEvLevel,
docsDevEvId,

```

```
docsDevEvText,
docsIfDocsisCapability, -- deprecated
docsIfDocsisOperMode, -- deprecated
ifPhysAddress,
docsIfCmCmtsAddress,
docsIfDocsisBaseCapability,
docsIfCmStatusDocsisOperMode,
docsIfCmStatusModulationType }

STATUS current
DESCRIPTION
"An event to report the failure of a BPI initialization attempt happened during the
registration process.
"

::= { docsDevCmTraps 5 }

docsDevCmBPKMTrap NOTIFICATION-TYPE
OBJECTS { docsDevEvLevel,
docsDevEvId,
docsDevEvText,
docsIfDocsisCapability, -- deprecated
docsIfDocsisOperMode, -- deprecated
ifPhysAddress,
docsIfCmCmtsAddress,
docsIfDocsisBaseCapability,
docsIfCmStatusDocsisOperMode,
docsIfCmStatusModulationType }

STATUS current
DESCRIPTION
"An event to report the failure of a BPKM operation.
"

::= { docsDevCmTraps 6 }

docsDevCmDynamicSATrap NOTIFICATION-TYPE
OBJECTS { docsDevEvLevel,
docsDevEvId,
docsDevEvText,
docsIfDocsisCapability, -- deprecated
docsIfDocsisOperMode, -- deprecated
ifPhysAddress,
docsIfCmCmtsAddress,
docsIfDocsisBaseCapability,
docsIfCmStatusDocsisOperMode,
docsIfCmStatusModulationType }

STATUS current
DESCRIPTION
"An event to report the failure of a dynamic security
association operation.
"

::= { docsDevCmTraps 7 }

docsDevCmDHCPFailTrap NOTIFICATION-TYPE
OBJECTS { docsDevEvLevel,
docsDevEvId,
docsDevEvText,
docsIfDocsisCapability, -- deprecated
docsIfDocsisOperMode, -- deprecated
ifPhysAddress,
docsIfCmCmtsAddress,
docsDevServerDhcp,
```

```
docsIfDocsisBaseCapability,
docsIfCmStatusDocsisOperMode,
docsIfCmStatusModulationType }

STATUS current
DESCRIPTION
"An event to report the failure of a DHCP server.
The value of docsDevServerDhcp is the IP address
of the DHCP server.
"

::= { docsDevCmTraps 8 }

docsDevCmSwUpgradeInitTrap NOTIFICATION-TYPE
OBJECTS { docsDevEvLevel,
docsDevEvId,
docsDevEvText,
docsIfDocsisCapability, -- deprecated
docsIfDocsisOperMode, -- deprecated
ifPhysAddress,
docsIfCmCmtsAddress,
docsDevSwFilename,
docsDevSwServer,
docsIfDocsisBaseCapability,
docsIfCmStatusDocsisOperMode,
docsIfCmStatusModulationType }

STATUS current
DESCRIPTION
"An event to report a software upgrade initiated
event. The values of docsDevSwFilename, and
docsDevSwServer indicate the software image name
and the server IP address the image is from.
"

::= { docsDevCmTraps 9 }

docsDevCmSwUpgradeFailTrap NOTIFICATION-TYPE
OBJECTS { docsDevEvLevel,
docsDevEvId,
docsDevEvText,
docsIfDocsisCapability, -- deprecated
docsIfDocsisOperMode, -- deprecated
ifPhysAddress,
docsIfCmCmtsAddress,
docsDevSwFilename,
docsDevSwServer,
docsIfDocsisBaseCapability,
docsIfCmStatusDocsisOperMode,
docsIfCmStatusModulationType }

STATUS current
DESCRIPTION
"An event to report the failure of a software upgrade
attempt. The values of docsDevSwFilename, and
docsDevSwServer indicate the software image name
and the server IP address the image is from.
"

::= { docsDevCmTraps 10 }

docsDevCmSwUpgradeSuccessTrap NOTIFICATION-TYPE
OBJECTS { docsDevEvLevel,
docsDevEvId,
docsDevEvText,
```

```
docsIfDocsisCapability, -- deprecated
docsIfDocsisOperMode, -- deprecated
ifPhysAddress,
docsIfCmCmtsAddress,
docsDevSwFilename,
docsDevSwServer,
docsIfDocsisBaseCapability,
docsIfCmStatusDocsisOperMode,
docsIfCmStatusModulationType }

STATUS current
DESCRIPTION
"An event to report the Software upgrade success event.
The values of docsDevSwFilename, and
docsDevSwServer indicate the software image name
and the server IP address the image is from.
"

 ::= { docsDevCmTraps 11 }

docsDevCmSwUpgradeCVCFailTrap NOTIFICATION-TYPE
OBJECTS { docsDevEvLevel,
docsDevEvId,
docsDevEvText,
docsIfDocsisCapability, -- deprecated
docsIfDocsisOperMode, -- deprecated
ifPhysAddress,
docsIfCmCmtsAddress,
docsIfDocsisBaseCapability,
docsIfCmStatusDocsisOperMode,
docsIfCmStatusModulationType }

STATUS current
DESCRIPTION
"An event to report the failure of the verification
of code file happened during a secure software upgrade
attempt.
"

 ::= { docsDevCmTraps 12 }

docsDevCmTODFailTrap NOTIFICATION-TYPE
OBJECTS { docsDevEvLevel,
docsDevEvId,
docsDevEvText,
docsIfDocsisCapability, -- deprecated
docsIfDocsisOperMode, -- deprecated
ifPhysAddress,
docsIfCmCmtsAddress,
docsDevServerTime,
docsIfDocsisBaseCapability,
docsIfCmStatusDocsisOperMode,
docsIfCmStatusModulationType }

STATUS current
DESCRIPTION
"An event to report the failure of a time of day server.
The value of docsDevServerTime indicates the server IP
address.
"

 ::= { docsDevCmTraps 13 }

docsDevCmDCCReqFailTrap NOTIFICATION-TYPE
OBJECTS { docsDevEvLevel,
```

```

docsDevEvId,
docsDevEvText,
docsIfDocsisCapability, -- deprecated
docsIfDocsisOperMode, -- deprecated
ifPhysAddress,
docsIfCmCmtsAddress,
docsIfDocsisBaseCapability,
docsIfCmStatusDocsisOperMode,
docsIfCmStatusModulationType }

STATUS current
DESCRIPTION
"An event to report the failure of a dynamic channel
change request happened during the dynamic channel
change process in the CM side.
"

::= { docsDevCmTraps 14 }

docsDevCmDCCRspFailTrap NOTIFICATION-TYPE
OBJECTS { docsDevEvLevel,
docsDevEvId,
docsDevEvText,
docsIfDocsisCapability, -- deprecated
docsIfDocsisOperMode, -- deprecated
ifPhysAddress,
docsIfCmCmtsAddress,
docsIfDocsisBaseCapability,
docsIfCmStatusDocsisOperMode,
docsIfCmStatusModulationType }

STATUS current
DESCRIPTION
"An event to report the failure of a dynamic channel
change response happened during the dynamic channel
change process in the CM side.
"

::= { docsDevCmTraps 15 }

docsDevCmDCCAckFailTrap NOTIFICATION-TYPE
OBJECTS { docsDevEvLevel,
docsDevEvId,
docsDevEvText,
docsIfDocsisCapability, -- deprecated
docsIfDocsisOperMode, -- deprecated
ifPhysAddress,
docsIfCmCmtsAddress,
docsIfDocsisBaseCapability,
docsIfCmStatusDocsisOperMode,
docsIfCmStatusModulationType }

STATUS current
DESCRIPTION
"An event to report the failure of a dynamic channel
change acknowledgement happened during the dynamic channel
change process in the CM side.
"

::= { docsDevCmTraps 16}

docsDevCmtsInitRegReqFailTrap NOTIFICATION-TYPE
OBJECTS { docsDevEvLevel,
docsDevEvId,
docsDevEvText,

```

```

docsIfCmtsCmStatusDocsisMode, -- deprecated
docsIfCmtsCmStatusMacAddress,
docsIfDocsisCapability, -- deprecated
ifPhysAddress,
docsIfCmtsCmStatusDocsisRegMode,
docsIfDocsisBaseCapability,
docsIfCmtsCmStatusModulationType }

STATUS current
DESCRIPTION
"An event to report the failure of a registration
request from CM happening during the CM initialization
process and detected on the CMTS side.
The values of docsDevEvLevel, docsDevId, and
docsDevEvText are from the entry which logs this event
in the docsDevEventTable. The docsIfCmtsCmStatusDocsisRegMode
and docsIfCmtsCmStatusMacAddress indicate the docsis
QOS version and the MAC address of the requesting CM. The
docsIfCmtsCmModulationType indicates the upstream modulation
methodology used by the connected CM.
The docsIfDocsisBaseCapability and ifPhysAddress
indicate the docsis version of the CMTS and the MAC
address of the CMTS (if there is a cable
card/ interface in the CMTS, then it is actually the MAC address
of the cable interface which connected to the CM) cable card
connected to the CM.
This part of information is uniformed across all CMTS traps.
"

::= { docsDevCmtsTraps 1 }

docsDevCmtsInitRegRspFailTrap NOTIFICATION-TYPE
OBJECTS { docsDevEvLevel,
docsDevEvId,
docsDevEvText,
docsIfCmtsCmStatusDocsisMode, -- deprecated
docsIfCmtsCmStatusMacAddress,
docsIfDocsisCapability, -- deprecated
ifPhysAddress,
docsIfCmtsCmStatusDocsisRegMode,
docsIfDocsisBaseCapability,
docsIfCmtsCmStatusModulationType }

STATUS current
DESCRIPTION
"An event to report the failure of a registration
response happened during the CM initialization
process and detected in the CMTS side.
"

::= { docsDevCmtsTraps 2 }

docsDevCmtsInitRegAckFailTrap NOTIFICATION-TYPE
OBJECTS { docsDevEvLevel,
docsDevEvId,
docsDevEvText,
docsIfCmtsCmStatusDocsisMode, -- deprecated
docsIfCmtsCmStatusMacAddress,
docsIfDocsisCapability, -- deprecated
ifPhysAddress,
docsIfCmtsCmStatusDocsisRegMode,
docsIfDocsisBaseCapability,
docsIfCmtsCmStatusModulationType }

STATUS current

```

## DESCRIPTION

"An event to report the failure of a registration acknowledgement from CM happened during the CM initialization process and detected in the CMTS side.  
"

```
::= { docsDevCmtsTraps 3 }
```

```
docsDevCmtsDynServReqFailTrap NOTIFICATION-TYPE
```

```
OBJECTS { docsDevEvLevel,
docsDevEvId,
docsDevEvText,
docsIfCmtsCmStatusDocsisMode, -- deprecated
docsIfCmtsCmStatusMacAddress,
docsIfDocsisCapability, -- deprecated
ifPhysAddress,
docsIfCmtsCmStatusDocsisRegMode,
docsIfDocsisBaseCapability,
docsIfCmtsCmStatusModulationType }
```

```
STATUS current
```

## DESCRIPTION

"An event to report the failure of a dynamic service request happened during the dynamic services process and detected in the CMTS side.  
"

```
::= { docsDevCmtsTraps 4 }
```

```
docsDevCmtsDynServRspFailTrap NOTIFICATION-TYPE
```

```
OBJECTS { docsDevEvLevel,
docsDevEvId,
docsDevEvText,
docsIfCmtsCmStatusDocsisMode, -- deprecated
docsIfCmtsCmStatusMacAddress,
docsIfDocsisCapability, -- deprecated
ifPhysAddress,
docsIfCmtsCmStatusDocsisRegMode,
docsIfDocsisBaseCapability,
docsIfCmtsCmStatusModulationType }
```

```
STATUS current
```

## DESCRIPTION

"An event to report the failure of a dynamic service response happened during the dynamic services process and detected in the CMTS side.  
"

```
::= { docsDevCmtsTraps 5 }
```

```
docsDevCmtsDynServAckFailTrap NOTIFICATION-TYPE
```

```
OBJECTS { docsDevEvLevel,
docsDevEvId,
docsDevEvText,
docsIfCmtsCmStatusDocsisMode, -- deprecated
docsIfCmtsCmStatusMacAddress,
docsIfDocsisCapability, -- deprecated
ifPhysAddress,
docsIfCmtsCmStatusDocsisRegMode,
docsIfDocsisBaseCapability,
docsIfCmtsCmStatusModulationType }
```

```
STATUS current
```

## DESCRIPTION

"An event to report the failure of a dynamic service

acknowledgement happened during the dynamic services process and detected in the CMTS side.

"

::= { docsDevCmtsTraps 6 }

```
docsDevCmtsBpiInitTrap NOTIFICATION-TYPE
OBJECTS { docsDevEvLevel,
docsDevEvId,
docsDevEvText,
docsIfCmtsCmStatusDocsisMode, -- deprecated
docsIfCmtsCmStatusMacAddress,
docsIfDocsisCapability, -- deprecated
ifPhysAddress,
docsIfCmtsCmStatusDocsisRegMode,
docsIfDocsisBaseCapability,
docsIfCmtsCmStatusModulationType }
```

STATUS current

DESCRIPTION

"An event to report the failure of a BPI initialization attempt happened during the CM registration process and detected in the CMTS side.

"

::= { docsDevCmtsTraps 7 }

```
docsDevCmtsBPKMTrap NOTIFICATION-TYPE
OBJECTS { docsDevEvLevel,
docsDevEvId,
docsDevEvText,
docsIfCmtsCmStatusDocsisMode, -- deprecated
docsIfCmtsCmStatusMacAddress,
docsIfDocsisCapability, -- deprecated
ifPhysAddress,
docsIfCmtsCmStatusDocsisRegMode,
docsIfDocsisBaseCapability,
docsIfCmtsCmStatusModulationType }
```

STATUS current

DESCRIPTION

"An event to report the failure of a BPKM operation which is detected in the CMTS side.

"

::= { docsDevCmtsTraps 8 }

```
docsDevCmtsDynamicSATrap NOTIFICATION-TYPE
OBJECTS { docsDevEvLevel,
docsDevEvId,
docsDevEvText,
docsIfCmtsCmStatusDocsisMode, -- deprecated
docsIfCmtsCmStatusMacAddress,
docsIfDocsisCapability, -- deprecated
ifPhysAddress,
docsIfCmtsCmStatusDocsisRegMode,
docsIfDocsisBaseCapability,
docsIfCmtsCmStatusModulationType }
```

STATUS current

DESCRIPTION

"An event to report the failure of a dynamic security association operation which is detected in the CMTS side.

"

```
::= { docsDevCmtsTraps 9 }

docsDevCmtsDCCReqFailTrap NOTIFICATION-TYPE
OBJECTS { docsDevEvLevel,
docsDevEvId,
docsDevEvText,
docsIfCmtsCmStatusDocsisMode, -- deprecated
docsIfCmtsCmStatusMacAddress,
docsIfDocsisCapability, -- deprecated
ifPhysAddress,
docsIfCmtsCmStatusDocsisRegMode,
docsIfDocsisBaseCapability,
docsIfCmtsCmStatusModulationType }

STATUS current
DESCRIPTION
"An event to report the failure of a dynamic channel
change request happened during the dynamic channel
change process in the CM side and detected in the
CMTS side.
"

::= { docsDevCmtsTraps 10 }

docsDevCmtsDCCRspFailTrap NOTIFICATION-TYPE
OBJECTS { docsDevEvLevel,
docsDevEvId,
docsDevEvText,
docsIfCmtsCmStatusDocsisMode, -- deprecated
docsIfCmtsCmStatusMacAddress,
docsIfDocsisCapability, -- deprecated
ifPhysAddress,
docsIfCmtsCmStatusDocsisRegMode,
docsIfDocsisBaseCapability,
docsIfCmtsCmStatusModulationType }

STATUS current
DESCRIPTION
"An event to report the failure of a dynamic channel
change response happened during the dynamic channel
change process in the CMTS side.
"

::= { docsDevCmtsTraps 11 }

docsDevCmtsDCCAckFailTrap NOTIFICATION-TYPE
OBJECTS { docsDevEvLevel,
docsDevEvId,
docsDevEvText,
docsIfCmtsCmStatusDocsisMode, -- deprecated
docsIfCmtsCmStatusMacAddress,
docsIfDocsisCapability, -- deprecated
ifPhysAddress,
docsIfCmtsCmStatusDocsisRegMode,
docsIfDocsisBaseCapability,
docsIfCmtsCmStatusModulationType }

STATUS current
DESCRIPTION
"An event to report the failure of a dynamic channel
change acknowledgement happened during the dynamic channel
change process in the CMTS side.
"

::= { docsDevCmtsTraps 12 }
```

```

--
--Conformance definitions
--
docsDevTrapConformance OBJECT IDENTIFIER ::= { docsDevTraps 4 }
docsDevTrapGroups OBJECT IDENTIFIER ::= { docsDevTrapConformance 1 }
docsDevTrapCompliances OBJECT IDENTIFIER ::= {
docsDevTrapConformance 2 }
docsDevCmTrapCompliance MODULE-COMPLIANCE

STATUS current
DESCRIPTION
"The compliance statement for Cable Modem Traps and Control"

MODULE --docsDevTrap
--mandatory groups

GROUP docsDevCmTrapControlGroup
DESCRIPTION
"Mandatory in CM."

GROUP docsDevCmNotificationGroup
DESCRIPTION
"Mandatory in Cable Modem."

::= { docsDevTrapCompliances 1 }

docsDevCmTrapControlGroup OBJECT-GROUP
OBJECTS {
docsDevCmTrapControl
}
STATUS current
DESCRIPTION
"CM must support docsDevCmTrapControl."
::= { docsDevTrapGroups 1 }

docsDevCmNotificationGroup NOTIFICATION-GROUP

NOTIFICATIONS {
docsDevCmInitTLVUnknownTrap,
docsDevCmDynServReqFailTrap,
docsDevCmDynServRspFailTrap,
docsDevCmDynServAckFailTrap,
docsDevCmBpiInitTrap,
docsDevCmBPKMTrap,
docsDevCmDynamicSATrap,
docsDevCmDHCPFailTrap,
docsDevCmSwUpgradeInitTrap,
docsDevCmSwUpgradeFailTrap,
docsDevCmSwUpgradeSuccessTrap,
docsDevCmSwUpgradeCVCFailTrap,
docsDevCmTODFailTrap,
docsDevCmDCCReqFailTrap,
docsDevCmDCCRspFailTrap,
docsDevCmDCCAckFailTrap
}

STATUS current
DESCRIPTION
"A collection of CM notifications providing device status and
control."

::= { docsDevTrapGroups 2 }

docsDevCmtsTrapCompliance MODULE-COMPLIANCE
STATUS current

```

```
DESCRIPTION
"The compliance statement for MCNS Cable Modems and
Cable Modem Termination Systems."
MODULE --docsDevTrap
--mandatory groups

GROUP docsDevCmtsTrapControlGroup
DESCRIPTION
"Mandatory in CMTS."

GROUP docsDevCmtsNotificationGroup
DESCRIPTION
"Mandatory in Cable Modem Termination Systems."

::= { docsDevTrapCompliances 2 }

docsDevCmtsTrapControlGroup OBJECT-GROUP
OBJECTS {
docsDevCmtsTrapControl
}

STATUS current
DESCRIPTION
"CMTS must support docsDevCmtsTrapControl."
::= { docsDevTrapGroups 3 }
docsDevCmtsNotificationGroup NOTIFICATION-GROUP

NOTIFICATIONS {
docsDevCmtsInitRegReqFailTrap,
docsDevCmtsInitRegRspFailTrap,
docsDevCmtsInitRegAckFailTrap ,
docsDevCmtsDynServReqFailTrap,
docsDevCmtsDynServRspFailTrap,
docsDevCmtsDynServAckFailTrap,
docsDevCmtsBpiInitTrap,
docsDevCmtsBPKMTrap,
docsDevCmtsDynamicSATrap,
docsDevCmtsDCCRReqFailTrap,
docsDevCmtsDCCRspFailTrap,
docsDevCmtsDCCAckFailTrap
}

STATUS current
DESCRIPTION
"A collection of CMTS notifications providing device status and
control."
::= { docsDevTrapGroups 4 }
END
```

## Annex I Requirements for DOCS-LOADBALANCING-MIB (mandatory)<sup>1</sup>

```
DOCS-LOADBALANCING-MIB DEFINITIONS ::= BEGIN

IMPORTS
    MODULE-IDENTITY,
    OBJECT-TYPE,
    Unsigned32,
    Integer32,
    Counter32,
    zeroDotZero
        FROM SNMPv2-SMI
    TruthValue,
    MacAddress,
    RowStatus,
    RowPointer,
    TimeStamp,
    TEXTUAL-CONVENTION
        FROM SNMPv2-TC
    OBJECT-GROUP,
    MODULE-COMPLIANCE
        FROM SNMPv2-CONF
    InterfaceIndex
        FROM IF-MIB
    docsIfCmtsCmStatusEntry,
    docsIfCmtsCmStatusIndex
        FROM DOCS-IF-MIB
    clabProjDocsis
        FROM CLAB-DEF-MIB;

docsLoadBalanceMib MODULE-IDENTITY
    LAST-UPDATED      "200403101700Z" -- March 10, 2004
    ORGANIZATION      "Cable Television Laboratories, Inc"
    CONTACT-INFO
        "
            Postal: Cable Television Laboratories, Inc.
            400 Centennial Parkway
            Louisville, Colorado 80027-1266
            U.S.A.
            Phone: +1 303-661-9100
            Fax: +1 303-661-9199
            E-mail: docsis-dcc@cablelabs.com
                   mibs@cablelabs.com"
    DESCRIPTION
        "This is the MIB Module for the load balancing.
        Load balancing is manageable on a per-CM basis.
        Each CM is assigned:
            a) to a set of channels (a Load Balancing Group) among
               which it can be moved by the CMTS
            b) a policy which governs if and when the CM can be moved
            c) a priority value which can be used by the CMTS in order
               to select CMs to move."
    REVISION "200403101700Z"
    DESCRIPTION
        "Initial version of this mib module."
 ::= { clabProjDocsis 2 }
-----
-- Textual Conventions
-----
```

<sup>1</sup>. Added new Annex per ECN OSSSIv2.0-N-04.0126-6 by GO on 3/16/04.

```

ChannelChgInitTechMap ::= TEXTUAL-CONVENTION
    STATUS current
    DESCRIPTION
        "This textual convention enumerates the Initialization
        techniques for Dynamic Channel Change (DCC). The techniques
        are represented by the 5 most significant bits (MSB).
        Bits 0 through 4 map to initialization techniques 0 through 4.
        Each bit position represents the internal associated technique
        as described below:

        reinitializeMac(0)      : Reinitialize the MAC
        broadcastInitRanging(1) : Perform Broadcast initial
                                ranging on new channel before
                                normal operation
        unicastInitRanging(2)  : Perform unicast ranging on new
                                channel before normal operation
        initRanging(3)         : Perform either broadcast or
                                unicast ranging on new channel before
                                normal operation
        direct(4)              : Use the new channel(s) directly
                                without re-initializing or ranging

        Multiple bits selection in 1's means the CMTS selects the best
        suitable technique among the selected in a proprietary manner.
        An empty value or a value with all bits in '0' means no channel changes
        allowed"
    SYNTAX BITS {
        reinitializeMac(0),
        broadcastInitRanging(1),
        unicastInitRanging(2),
        initRanging(3),
        direct(4)
    }
}

-----
-- Main Groups
-----
docsLoadBalNotifications OBJECT IDENTIFIER ::= { docsLoadBalanceMib 0 }
docsLoadBalMibObjects    OBJECT IDENTIFIER ::= { docsLoadBalanceMib 1 }
docsLoadBalSystem        OBJECT IDENTIFIER ::= { docsLoadBalMibObjects 1 }
docsLoadBalChgOverObjects OBJECT IDENTIFIER ::= { docsLoadBalMibObjects 2 }
docsLoadBalGrpObjects    OBJECT IDENTIFIER ::= { docsLoadBalMibObjects 3 }
docsLoadBalPolicyObjects OBJECT IDENTIFIER ::= { docsLoadBalMibObjects 4 }
docsLoadBalChgOverGroup  OBJECT IDENTIFIER ::= { docsLoadBalChgOverObjects 1 }

docsLoadBalEnable OBJECT-TYPE
    SYNTAX      TruthValue
    MAX-ACCESS  read-write
    STATUS      current
    DESCRIPTION
        "Setting this object to true(1) enables internal
        autonomous load balancing operation on this CMTS.
        Setting it to false(2) disables the autonomous
        load balancing operations.
        However moving a cable modem via docsLoadBalChgOverTable
        is allowed even when this object is set to false(2)."
```

```

::= { docsLoadBalSystem 1 }

-----
-- CMTS Cable Modem channel change operation table and related
-- objects.
-- This group of objects determines the DCC API for execution of DCC/UCC
-- commands The status of execution is reported in docsLoadBalChgOverStatusTable
-- A CMTS operator may perform downstream/upstream load balancing

```

```
-- or failure recovery using docsLoadBalChgOver parameters and red the status.
```

```
-----
docsLoadBalChgOverMacAddress OBJECT-TYPE
    SYNTAX      MacAddress
    MAX-ACCESS  read-write
    STATUS      current
    DESCRIPTION
        "The mac address of the cable modem that the CMTS
        instructs to move to a new downstream frequency and/or
        upstream channel."
    DEFVAL { '000000000000'h }
    ::= { docsLoadBalChgOverGroup 1 }

docsLoadBalChgOverDownFrequency OBJECT-TYPE
    SYNTAX      Integer32 (0..1000000000)
    UNITS       "hertz"
    MAX-ACCESS  read-write
    STATUS      current
    DESCRIPTION
        "The new downstream frequency to which the cable modem is
        instructed to move. The value 0 indicates that the CMTS
        does not create a TLV for the downstream frequency in the
        DCC-REQ message. This object has no meaning when executing
        UCC operations."
    DEFVAL { 0 }
    ::= { docsLoadBalChgOverGroup 2 }

docsLoadBalChgOverUpChannelId OBJECT-TYPE
    SYNTAX      Integer32 (-1..255)
    MAX-ACCESS  read-write
    STATUS      current
    DESCRIPTION
        "The new upstream channel ID to which the cable modem is
        instructed to move. The value -1 indicates that the CMTS
        does not create a TLV for the upstream channel ID in the
        channel change request."
    DEFVAL { -1 }
    ::= { docsLoadBalChgOverGroup 3 }

docsLoadBalChgOverInitTech OBJECT-TYPE
    SYNTAX      ChannelChgInitTechMap
    MAX-ACCESS  read-write
    STATUS      current
    DESCRIPTION
        "The initialization technique that the cable modem is
        instructed to use when performing change over operation.

        By default this object is initialized with all the defined
        bits having a value of '1'."
    ::= { docsLoadBalChgOverGroup 4 }

docsLoadBalChgOverCmd OBJECT-TYPE
    SYNTAX INTEGER {
        any(1),
        dcc(2),
        ucc(3)
    }
    MAX-ACCESS  read-write
    STATUS      current
    DESCRIPTION
        "The change over command that the CMTS is instructed
        use when performing change over operation."
```

The any(1) value indicates that the CMTS is to use its own algorithm to determine the appropriate command."  
 DEFVAL { any }  
 ::= { docsLoadBalChgOverGroup 5 }

docsLoadBalChgOverCommit OBJECT-TYPE

SYNTAX TruthValue

MAX-ACCESS read-write

STATUS current

DESCRIPTION

"The command to execute the DCC/UCC operation when set to true(1).

The following are reasons for rejecting an SNMP

SET to this object:

- The MAC address in docsLoadBalChgOverMacAddr is not an existing MAC address in docsIfCmtsMacToCmEntry.
- docsLoadBalChgOverCmd is ucc(3) and docsLoadBalChgOverUpChannelId is '-1',
- docsLoadBalChgOverUpChannelId is '-1' and docsLoadBalChgOverDownFrequency is '0'.
- DCC/UCC operation is currently being executed for the cable modem, on which the new command is committed, specifically if the value of docsLoadBalChgOverStatusValue is one of:  
 messageSent(1),  
 modemDeparting(4),  
 waitToSendMessage(6).
- An UCC operation is committed for a non-existing upstream channel ID or the corresponding ifOperStatus is down(2).
- A DCC operation is committed for an invalid or non-existing downstream frequency, or the corresponding ifOperStatus is down(2).

In those cases, the SET is rejected with an error code 'commitFailed'.

After processing the SNMP SET the information in docsLoadBalChgOverGroup is updated in a corresponding entry in docsLoadBalChgOverStatusEntry.

Reading this object always returns false(2)."

REFERENCE

"Data-Over-Cable Service Interface Specifications: Radio Frequency Interface Specification SP-RFiv2.0-I04-030730, Sections C.4.1, 11.4.5.1."

DEFVAL { false }

::= { docsLoadBalChgOverGroup 6 }

docsLoadBalChgOverLastCommit OBJECT-TYPE

SYNTAX TimeStamp

MAX-ACCESS read-only

STATUS current

DESCRIPTION

"The value of sysUpTime when docsLoadBalChgOverCommit was last set to true. Zero if never set."

::= { docsLoadBalChgOverGroup 7 }

```
-----
-- CMTS Cable Modem channel change operation Status table and related
-- objects.
-- This table is an AUGMENT of docsIfCmtsCmstatusTable
-- A CMTS operator may perform downstream/upstream load balancing
-- or failure recovery using docsLoadBalChgOverTable.
-----
```

docsLoadBalChgOverStatusTable OBJECT-TYPE

SYNTAX SEQUENCE OF DocsLoadBalChgOverStatusEntry

MAX-ACCESS not-accessible

```

STATUS      current
DESCRIPTION
    "A table of CMTS operation entries to reports the status
    of cable modems instructed to move to a new downstream and/or
    upstream channel. using the docsLoadBalChgOverGroup objects.

    An entry in this table is created or updated for the entry
    with docsIfCmtsCmStatusIndex that correspond to the cable modem
    MAC address of the Load Balancing operation.
    docsLoadBalChgOverCommit to true(1)."
```

```

::= { docsLoadBalChgOverObjects 2 }

docsLoadBalChgOverStatusEntry OBJECT-TYPE
SYNTAX      DocsLoadBalChgOverStatusEntry
MAX-ACCESS  not-accessible
STATUS      current
DESCRIPTION
    "A CMTS operation entry to instruct a cable modem to move to
    a new downstream frequency and/or upstream channel.

    An operator can use this to initiate an operation
    in CMTS to instruct the selected cable modem to move to a new
    downstream frequency and/or upstream channel."
INDEX { docsIfCmtsCmStatusIndex }
::= { docsLoadBalChgOverStatusTable 1 }

DocsLoadBalChgOverStatusEntry ::= SEQUENCE {
docsLoadBalChgOverStatusMacAddr      MacAddress,
docsLoadBalChgOverStatusDownFreq    Integer32,
docsLoadBalChgOverStatusUpChnId     Integer32,
docsLoadBalChgOverStatusInitTech    ChannelChgInitTechMap,
docsLoadBalChgOverStatusCmd         INTEGER,
docsLoadBalChgOverStatusValue       INTEGER,
docsLoadBalChgOverStatusUpdate      TimeStamp
}

docsLoadBalChgOverStatusMacAddr OBJECT-TYPE
SYNTAX      MacAddress
MAX-ACCESS  read-only
STATUS      current
DESCRIPTION
    "The mac address set in docsLoadBalChgOverMacAddress."
::= { docsLoadBalChgOverStatusEntry 1 }

docsLoadBalChgOverStatusDownFreq OBJECT-TYPE
SYNTAX      Integer32 (0..1000000000)
UNITS       "hertz"
MAX-ACCESS  read-only
STATUS      current
DESCRIPTION
    "The Downstream frequency set in
    docsLoadBalChgOverDownFrequency."
DEFVAL { 0 }
::= { docsLoadBalChgOverStatusEntry 2 }

docsLoadBalChgOverStatusUpChnId OBJECT-TYPE
SYNTAX      Integer32 (-1..255)
MAX-ACCESS  read-only
STATUS      current
DESCRIPTION
    "The upstream channel ID set in
    docsLoadBalChgOverUpChannelId."
DEFVAL { -1 }
::= { docsLoadBalChgOverStatusEntry 3 }

```

```

docsLoadBalChgOverStatusInitTech OBJECT-TYPE
    SYNTAX      ChannelChgInitTechMap
    MAX-ACCESS  read-only
    STATUS      current
    DESCRIPTION
        "The initialization technique set in
         docsLoadBalChgOverInitTech."
    ::= { docsLoadBalChgOverStatusEntry 4 }

docsLoadBalChgOverStatusCmd OBJECT-TYPE
    SYNTAX INTEGER {
        any(1),
        dcc(2),
        ucc(3)
    }
    MAX-ACCESS  read-only
    STATUS      current
    DESCRIPTION
        "The load balancing command set in
         docsLoadBalChgOverCmd."
    DEFVAL { any }
    ::= { docsLoadBalChgOverStatusEntry 5 }

-- May use a textual convention to report this value
-- since is repeated for two objects

docsLoadBalChgOverStatusValue OBJECT-TYPE
    SYNTAX INTEGER {
        messageSent(1),
        noOpNeeded(2),
        modemDeparting(3),
        waitToSendMessage(4),
        cmOperationRejected(5),
        cmtsOperationRejected(6),
        timeOutT13(7),
        timeOutT15(8),
        rejectinit(9),
        success(10)
    }
    MAX-ACCESS  read-only
    STATUS      current
    DESCRIPTION
        "The status of the specified DCC/UCC operation.
         The enumerations are:
         messageSent(1):
             The CMTS has sent change over request message to the
             cable modem.
         noOpNeed(2):
             A operation was requested in which neither the
             DS Frequency nor the Upstream Channel ID was changed.
             An active value in this entry's row status indicates
             that no CMTS operation is required.
         modemDeparting(3):
             The cable modem has responded with a change over response
             of either a DCC-RSP with a confirmation code of depart(180)
             or a UCC-RSP.
         waitToSendMessage(4):
             The specified operation is active and CMTS is waiting
             to send the channel change message with channel info to
             the cable modem.
         cmOperationRejected(5):
             Channel Change (such as DCC or UCC) operation was rejected
             by the cable modem.
         cmtsOperationRejected(6)
             Channel Change (such as DCC or UCC) operation was rejected

```

```

    by the Cable modem Termination System.
timeOutT13(7):
    Failure due to no DCC-RSP with confirmation code
    depart(180) received prior to expiration of the
    T13 timer.
timeOutT15(8):
    T15 timer timed out prior to the arrival of a
    bandwidth request, RNG-REQ message, or DCC-RSP message
    with confirmation code of arrive(181) from the
    cable modem.
rejectInit(9):
    DCC operation rejected due to unsupported
    initialization tech requested.
success(10):
    CMTS received an indication that the CM successfully
    completed the change over operation.
    E.g. If an initialization technique of re-initialize the
    MAC is used, success is indicated by the receipt
    of a DCC-RSP message with a confirmation code of
    depart(180). In all other cases, success is
    indicated by:
        (1) the CMTS received a DCC-RSP message with
            confirmation code of arrive(181)
    or
        (2) the CMTS internally confirms the presence
            of the CM on the new channel."

REFERENCE
    "Data-Over-Cable Service Interface Specifications: Radio
    Frequency Interface Specification SP-RFIV2.0-I04-030730,
    Sections C.4.1, 11.4.5.1."
DEFVAL { waitToSendMessage }
::= { docsLoadBalChgOverStatusEntry 6 }

docsLoadBalChgOverStatusUpdate OBJECT-TYPE
    SYNTAX TimeStamp
    MAX-ACCESS read-only
    STATUS current
    DESCRIPTION
        "The value of sysUpTime when docsLoadBalChgOverStatusValue
        was last updated."
    ::= { docsLoadBalChgOverStatusEntry 7 }

-----
-- Load balancing group is a cluster of downstream and associated
-- upstream channels, among which modems that are registered
-- on any of those channels, can be load balanced.
--
-- There are two types of Load Balancing Groups, General Load Balancing
-- Groups and Restricted Load Balancing Groups. A Restricted Load
-- Balancing Group is associated with a specific, provisioned set of
-- cable modems while General Load Balancing Groups are open for CMTS
-- which are not provisioned into a Restricted Load Balancing Group.
-----

docsLoadBalGrpTable OBJECT-TYPE
    SYNTAX SEQUENCE OF DocsLoadBalGrpEntry
    MAX-ACCESS not-accessible
    STATUS current
    DESCRIPTION
        "This table contains the attributes of the load balancing
        groups present in this CMTS."
    ::= { docsLoadBalGrpObjects 1 }

docsLoadBalGrpEntry OBJECT-TYPE
    SYNTAX DocsLoadBalGrpEntry

```

```

MAX-ACCESS not-accessible
STATUS current
DESCRIPTION
  "A set of attributes of load balancing group in the CMTS.
  It is index by a docsLoadBalGrpId which is unique
  within a CMTS.
  Entries in this table persist after CMTS initialization."
INDEX { docsLoadBalGrpId }
 ::= { docsLoadBalGrpTable 1 }

DocsLoadBalGrpEntry ::= SEQUENCE {
  docsLoadBalGrpId Unsigned32,
  docsLoadBalGrpIsRestricted TruthValue,
  docsLoadBalGrpInitTech ChannelChgInitTechMap,
  docsLoadBalGrpDefaultPolicy Unsigned32,
  docsLoadBalGrpEnable TruthValue,
  docsLoadBalGrpChgOverSuccess Counter32,
  docsLoadBalGrpChgOverFails Counter32,
  docsLoadBalGrpStatus RowStatus
}

docsLoadBalGrpId OBJECT-TYPE
SYNTAX Unsigned32 (1..4294967295)
MAX-ACCESS not-accessible
STATUS current
DESCRIPTION
  "A unique index assigned to the load balancing
  group by the CMTS."
 ::= { docsLoadBalGrpEntry 1 }

docsLoadBalGrpIsRestricted OBJECT-TYPE
SYNTAX TruthValue
MAX-ACCESS read-create
STATUS current
DESCRIPTION
  "A value true(1)Indicates type of load balancing group.
  A Restricted Load Balancing Group is associated to a specific
  provisioned set of cable modems. Restricted Load Balancing
  Group is used to accommodate a topology specific or provisioning
  specific restriction. Example such as a group that are reserved
  for business customers).

  Setting this object to true(1) means it is a Restricted Load
  Balancing type and setting it to false(2) means it is a
  General Load Balancing group type.

  This object should not be changed while its group ID is referenced
  by an active entry in docsLoadBalRestrictCmEntry."

DEFVAL { false }
 ::= { docsLoadBalGrpEntry 2 }

```

```
docsLoadBalGrpInitTech OBJECT-TYPE
    SYNTAX      ChannelChgInitTechMap
    MAX-ACCESS  read-create
    STATUS      current
    DESCRIPTION
        "The initialization techniques that the CMTS can use when load
        balancing cable modems in the load balancing group.
        By default this object is initialized with all the defined
        bits having a value of '1'."
    ::= { docsLoadBalGrpEntry 3 }
```

```
docsLoadBalGrpDefaultPolicy OBJECT-TYPE
    SYNTAX      Unsigned32 (0..4294967295)
    MAX-ACCESS  read-create
    STATUS      current
    DESCRIPTION
        "Each Load Balancing Group has a default Load Balancing
        Policy. A policy is described by a set of conditions
        (rules) that govern the load balancing process for
        a cable modem. The CMTS assigns this Policy ID value to
        a cable modem associated with the group ID when the cable
        modem does not signal a Policy ID during registration.

        The Policy ID value is intended to be a numeric reference to
        a row entry in docsLoadBalPolicyEntry. However, It is not
        required to have an existing or active entry in
        docsLoadBalPolicyEntry when setting the value of
        docsLoadBalGrpDefaultPolicy, in which case it indicates
        no policy is associated with the load Balancing Group.

        The Policy ID of value 0 is reserved to indicate no policy is
        associated with the load balancing group."
    DEFVAL { 0 }
    ::= { docsLoadBalGrpEntry 4 }
```

```
docsLoadBalGrpEnable OBJECT-TYPE
    SYNTAX      TruthValue
    MAX-ACCESS  read-create
    STATUS      current
    DESCRIPTION
        "Setting this object to true(1) enables internal
        autonomous load balancing on this group. Setting it to
        false(2) disables the load balancing operation on this
        group."
    DEFVAL { true }
    ::= { docsLoadBalGrpEntry 5 }
```

```
docsLoadBalGrpChgOverSuccess OBJECT-TYPE
    SYNTAX      Counter32
    MAX-ACCESS  read-only
    STATUS      current
    DESCRIPTION
        "The number of successful load balancing change over
        operations initiated within this load balancing group."
    ::= { docsLoadBalGrpEntry 6 }
```

```
docsLoadBalGrpChgOverFails OBJECT-TYPE
    SYNTAX      Counter32
    MAX-ACCESS  read-only
    STATUS      current
    DESCRIPTION
        "The number of failed load balancing change over operations
        initiated within this load balancing group."
    ::= { docsLoadBalGrpEntry 7 }
```

```
docsLoadBalGrpStatus OBJECT-TYPE
    SYNTAX      RowStatus
    MAX-ACCESS  read-create
    STATUS      current
    DESCRIPTION
        "Indicates the status of the row in this table.
        Setting this object to 'destroy' or 'notInService' for a group ID
        entry already referenced by docsLoadBalChannelEntry,
        docsLoadBalChnPairsEntry or docsLoadBalRestrictCmEntry returns
        an error code inconsistentValue."
    ::= { docsLoadBalGrpEntry 8 }
```

```
-----
-- It contains all the upstream and downstream channels within the
-- load balancing group.
-----
```

```
docsLoadBalChannelTable OBJECT-TYPE
    SYNTAX      SEQUENCE OF DocsLoadBalChannelEntry
    MAX-ACCESS  not-accessible
    STATUS      current
    DESCRIPTION
        "Lists all upstream and downstream channels associated with
        load balancing groups."
    ::= { docsLoadBalGrpObjects 2 }
```

```
docsLoadBalChannelEntry OBJECT-TYPE
    SYNTAX      DocsLoadBalChannelEntry
    MAX-ACCESS  not-accessible
    STATUS      current
    DESCRIPTION
        "Lists a specific upstream or downstream, within a
        load Balancing group.
        An entry in this table exists for each ifEntry with an ifType
        of docsCableDownstream(128) and docsCableUpstream(129)
        associated with the Load Balancing Group.
        Entries in this table persist after CMTS initialization."
    INDEX { docsLoadBalGrpId, docsLoadBalChannelIfIndex }
    ::= { docsLoadBalChannelTable 1 }
```

```
DocsLoadBalChannelEntry ::= SEQUENCE {
    docsLoadBalChannelIfIndex InterfaceIndex,
    docsLoadBalChannelStatus RowStatus
}
```

```
docsLoadBalChannelIfIndex OBJECT-TYPE
    SYNTAX      InterfaceIndex
    MAX-ACCESS  not-accessible
    STATUS      current
    DESCRIPTION
        "The ifIndex of either the downstream or upstream."
    ::= { docsLoadBalChannelEntry 1 }
```

```
docsLoadBalChannelStatus OBJECT-TYPE
    SYNTAX      RowStatus
    MAX-ACCESS  read-create
    STATUS      current
    DESCRIPTION
        "Indicates the status of the rows in this table.
        Creating entries in this table requires an existing
        value for docsLoadBalGrpId in docsLoadBalGrpEntry and
        an existing value of docsLoadBalChannelIfIndex in
        ifEntry, otherwise is rejected with error 'noCreation'."
```

```

        Setting this object to 'destroy' or 'notInService' for a
        a row entry that is being referenced by
        docsLoadBalChnPairsEntry is rejected with error code
        inconsistentValue."
 ::= { docsLoadBalChannelEntry 2 }

-----
-- docsLoadBalChnPairsTable is used to override the initialization
-- techniques for specific channel pairs within a Load Balancing Group.
-----

docsLoadBalChnPairsTable OBJECT-TYPE
    SYNTAX      SEQUENCE OF DocsLoadBalChnPairsEntry
    MAX-ACCESS  not-accessible
    STATUS      current
    DESCRIPTION
        "This table contains pairs of upstream channels
        within a Load Balancing Group. Entries in this
        table are used to override the initialization techniques
        defined for the associated Load Balancing Group."
 ::= { docsLoadBalGrpObjects 3 }

docsLoadBalChnPairsEntry OBJECT-TYPE
    SYNTAX      DocsLoadBalChnPairsEntry
    MAX-ACCESS  not-accessible
    STATUS      current
    DESCRIPTION
        "An entry in this table describes a channel pair for which an
        initialization technique override is needed.
        On a CMTS which supports logical upstream channels
        (ifType is equal to docsCableUpstreamChannel(205)),
        the entries in this table correspond to pairs of ifType 205.
        On a CTS which only supports physical upstream channels
        (ifType is equal to docsCableUpstream(129)), the entries in this
        table correspond to pairs of ifType 129.
        Entries in this table persist after CMTS initialization."
    INDEX { docsLoadBalGrpID, docsLoadBalChnPairsIfIndexDepart,
            docsLoadBalChnPairsIfIndexArrive }
 ::= { docsLoadBalChnPairsTable 1 }

DocsLoadBalChnPairsEntry ::= SEQUENCE {
    docsLoadBalChnPairsIfIndexDepart    InterfaceIndex,
    docsLoadBalChnPairsIfIndexArrive    InterfaceIndex,
    docsLoadBalChnPairsOperStatus       INTEGER,
    docsLoadBalChnPairsInitTech         ChannelChgInitTechMap,
    docsLoadBalChnPairsRowStatus        RowStatus
}

docsLoadBalChnPairsIfIndexDepart OBJECT-TYPE
    SYNTAX      InterfaceIndex
    MAX-ACCESS  not-accessible
    STATUS      current
    DESCRIPTION
        "This index indicates the ifIndex of the upstream channel from
        which a cable modem would depart in a load balancing channel
        change operation."
 ::= { docsLoadBalChnPairsEntry 1 }

docsLoadBalChnPairsIfIndexArrive OBJECT-TYPE
    SYNTAX      InterfaceIndex
    MAX-ACCESS  not-accessible
    STATUS      current
    DESCRIPTION
        "This index indicates the ifIndex of the upstream channel on
        which a cable modem would arrive in a load balancing channel

```

```

        change operation."
 ::= { docsLoadBalChnPairsEntry 2 }

docsLoadBalChnPairsOperStatus OBJECT-TYPE
    SYNTAX      INTEGER {
        operational(1),
        notOperational(2)
    }
    MAX-ACCESS  read-only
    STATUS      current
    DESCRIPTION
        "Operational status of the channel pair. The value
         operational(1) indicates that ifOperStatus of both channels
         is up(1). The value notOperational(2) means that ifOperStatus
         of one or both is not up(1)."
```

```

 ::= { docsLoadBalChnPairsEntry 3 }

docsLoadBalChnPairsInitTech OBJECT-TYPE
    SYNTAX      ChannelChgInitTechMap
    MAX-ACCESS  read-create
    STATUS      current
    DESCRIPTION
        "Specifies initialization technique for load balancing
         for the Depart/Arrive pair.
         By default this object's value is the initialization
         technique configured for the Load Balancing Group
         indicated by docsLoadBalGrpId."
```

```

 ::= { docsLoadBalChnPairsEntry 4 }

docsLoadBalChnPairsRowStatus OBJECT-TYPE
    SYNTAX      RowStatus
    MAX-ACCESS  read-create
    STATUS      current
    DESCRIPTION
        "The object for conceptual rows creation.
         An attempt to create a row with values for
         docsLoadBalChnPairsIfIndexDepart or
         docsLoadBalChnPairsIfIndexArrive which are not a part
         of the Load Balancing Group (or for a 2.0 CMTS are not
         logical channels (ifType 205)) are rejected with a
         'noCreation' error status reported.
         There is no restriction on settings columns in this table
         when the value of docsLoadBalChnPairsRowStatus is active(1)."
```

```

 ::= { docsLoadBalChnPairsEntry 5 }

-----
-- Restricted load balancing groups are defined to cater to a specific
-- group of modems to accommodate a topology specific or provisioning
-- specific restriction.
-- Restricted load balancing groups shall be configured with the CM MAC
-- addresses (or references to it). Such a group MUST apply only to the
-- modems configured in the group.
-----

docsLoadBalRestrictCmTable OBJECT-TYPE
    SYNTAX      SEQUENCE OF DocsLoadBalRestrictCmEntry
    MAX-ACCESS  not-accessible
    STATUS      current
    DESCRIPTION
        "Lists all cable modems in each Restricted Load Balancing
         Groups."
    ::= { docsLoadBalGrpObjects 4 }
```

```

docsLoadBalRestrictCmEntry OBJECT-TYPE
    SYNTAX      DocsLoadBalRestrictCmEntry
    MAX-ACCESS  not-accessible
    STATUS      current
    DESCRIPTION
        "An entry of modem within a restricted load balancing
        group type.
        An entry represents a cable modem that is associated with the
        Restricted Load Balancing Group ID of a Restricted Load
        Balancing Group.
        Entries in this table persist after CMTS initialization."
    INDEX { docsLoadBalGrpId,
            docsLoadBalRestrictCmIndex }
    ::= { docsLoadBalRestrictCmTable 1 }

DocsLoadBalRestrictCmEntry ::= SEQUENCE {
    docsLoadBalRestrictCmIndex      Unsigned32,
    docsLoadBalRestrictCmMACAddr    MacAddress,
    docsLoadBalRestrictCmMacAddrMask OCTET STRING,
    docsLoadBalRestrictCmStatus     RowStatus
}

docsLoadBalRestrictCmIndex OBJECT-TYPE
    SYNTAX      Unsigned32 (1..4294967295)
    MAX-ACCESS  not-accessible
    STATUS      current
    DESCRIPTION
        "The index that uniquely identifies an entry which
        represents restricted cable modem(s) within each Restricted
        Load Balancing Group."
    ::= { docsLoadBalRestrictCmEntry 1 }

docsLoadBalRestrictCmMACAddr OBJECT-TYPE
    SYNTAX      MacAddress
    MAX-ACCESS  read-create
    STATUS      current
    DESCRIPTION
        "Mac Address of the cable modem within the restricted load
        balancing group."
    ::= { docsLoadBalRestrictCmEntry 2 }

docsLoadBalRestrictCmMacAddrMask OBJECT-TYPE
    SYNTAX      OCTET STRING (SIZE (0 | 6))
    MAX-ACCESS  read-create
    STATUS      current
    DESCRIPTION
        "A bit mask acting as a wild card to associate a set
        of modem MAC addresses to the same Group ID.
        Cable modem look up is performed first with entries
        containing this value not null, if several entries match,
        the largest consecutive bit match from MSB to LSB is used.
        Empty value is equivalent to the bit mask all in
        ones."
    DEFVAL { 'h }
    ::= { docsLoadBalRestrictCmEntry 3 }

docsLoadBalRestrictCmStatus OBJECT-TYPE
    SYNTAX      RowStatus
    MAX-ACCESS  read-create
    STATUS      current
    DESCRIPTION
        "Indicates the status of the rows in this table.
        The attempt to create an entry associated to a group ID with
        docsLoadBalGrpIsRestricted equal to false(2) returns an error
        'noCreation'."

```

```

        There is no restriction on settings columns in this table any
        time."
 ::= { docsLoadBalRestrictCmEntry 4 }

-----
--
-- Load Balance policies allow control over the behavior of the autonomous
-- load balancing process on a per cable modem basis. A load balancing
-- policy is described by a set of conditions/rules that govern the
-- autonomous load balancing process for the cable modem.
--
-----

docsLoadBalPolicyTable OBJECT-TYPE
    SYNTAX          SEQUENCE OF DocsLoadBalPolicyEntry
    MAX-ACCESS      not-accessible
    STATUS          current
    DESCRIPTION
        "This table describes the set of Load Balancing policies.
        Rows in this table might be referenced by rows in
        docsLoadBalGrpEntry."
 ::= { docsLoadBalPolicyObjects 1 }

docsLoadBalPolicyEntry OBJECT-TYPE
    SYNTAX          DocsLoadBalPolicyEntry
    MAX-ACCESS      not-accessible
    STATUS          current
    DESCRIPTION
        "Entries containing rules for policies.
        When a load balancing policy is defined by multiple
        rules, all the rules apply.

        Load balancing rules can be created to allow for
        specific vendor-defined load balancing actions.
        However there is a basic rule that the CMTS is
        required to support by configuring a pointer
        in docsLoadBalPolicyRulePtr to the table
        docsLoadBalBasicRuleTable. Vendor specific rules
        may be added by pointing the object
        docsLoadBalPolicyRulePtr to proprietary mib structures.
        Entries in this table persist after CMTS initialization."
    INDEX { docsLoadBalPolicyId, docsLoadBalPolicyRuleId }
 ::= { docsLoadBalPolicyTable 1 }

DocsLoadBalPolicyEntry ::= SEQUENCE {
    docsLoadBalPolicyId      Unsigned32,
    docsLoadBalPolicyRuleId  Unsigned32,
    docsLoadBalPolicyRulePtr RowPointer,
    docsLoadBalPolicyRowStatus RowStatus
}

docsLoadBalPolicyId OBJECT-TYPE
    SYNTAX          Unsigned32 (1..4294967295)
    MAX-ACCESS      not-accessible
    STATUS          current
    DESCRIPTION
        "An index identifying the Load Balancing Policy."
 ::= { docsLoadBalPolicyEntry 1 }

docsLoadBalPolicyRuleId OBJECT-TYPE
    SYNTAX          Unsigned32 (1..4294967295)
    MAX-ACCESS      not-accessible
    STATUS          current
    DESCRIPTION
        "An index for the rules entries associated within a policy."

```

```

 ::= { docsLoadBalPolicyEntry 2 }

docsLoadBalPolicyRulePtr OBJECT-TYPE
    SYNTAX      RowPointer
    MAX-ACCESS  read-create
    STATUS      current
    DESCRIPTION
        "A pointer to an entry in a rule table. e.g
        docsLoadBalBasicRuleEnable in docsLoadBalBasicRuleEntry.
        A value pointing to zeroDotZero, an inactive Row or a
        non-existing entry is treated as no rule defined for this
        policy entry."
    DEFVAL { zeroDotZero }
    ::= { docsLoadBalPolicyEntry 3}

docsLoadBalPolicyRowStatus OBJECT-TYPE
    SYNTAX      RowStatus
    MAX-ACCESS  read-create
    STATUS      current
    DESCRIPTION
        "The status of this conceptual row.
        There is no restriction on settings columns in this table
        when the value of docsLoadBalPolicyRowStatus is active(1).
        Setting this object to 'destroy' or 'notInService' for a row
        entry that is being referenced by docsLoadBalGrpDefaultPolicy in
        docsLoadBalGrpEntry returns an error code inconsistentValue."
    ::= { docsLoadBalPolicyEntry 5 }

-----
-- docsLoadBalBasicRuleTable defines a DOCSIS required Policy
-- Ruleset for Load Balancing. A Policy ID may have multiple
-- rules, each rule pointing to ruleset structures like this
-- table or a vendor defined one.
-----

docsLoadBalBasicRuleTable OBJECT-TYPE
    SYNTAX      SEQUENCE OF DocsLoadBalBasicRuleEntry
    MAX-ACCESS  not-accessible
    STATUS      current
    DESCRIPTION
        "DOCSIS defined basic ruleset for load Balancing Policy.
        This table enables of disable load balancing for the groups
        pointing to this ruleset in the policy group."
    ::= { docsLoadBalPolicyObjects 2 }

docsLoadBalBasicRuleEntry OBJECT-TYPE
    SYNTAX      DocsLoadBalBasicRuleEntry
    MAX-ACCESS  not-accessible
    STATUS      current
    DESCRIPTION
        "An entry of DOCSIS defined basic ruleset.
        The object docsLoadBalBasicRuleEnable is used for
        instantiating an entry in this table via a RowPointer.
        Entries in this table persist after CMTS initialization."
    INDEX { docsLoadBalBasicRuleId }
    ::= { docsLoadBalBasicRuleTable 1 }

DocsLoadBalBasicRuleEntry ::= SEQUENCE {
    docsLoadBalBasicRuleId Unsigned32,
    docsLoadBalBasicRuleEnable INTEGER,
    docsLoadBalBasicRuleDisStart Unsigned32,
    docsLoadBalBasicRuleDisPeriod Unsigned32,
    docsLoadBalBasicRuleRowStatus RowStatus
}

```

```

docsLoadBalBasicRuleId    OBJECT-TYPE
    SYNTAX      Unsigned32 (1..4294967295)
    MAX-ACCESS  not-accessible
    STATUS      current
    DESCRIPTION
        "The unique index for this row."
    ::= { docsLoadBalBasicRuleEntry 1 }

docsLoadBalBasicRuleEnable    OBJECT-TYPE
    SYNTAX      INTEGER {
        enabled(1),
        disabled(2),
        disabledPeriod(3)
    }
    MAX-ACCESS  read-create
    STATUS      current
    DESCRIPTION
        "When using this ruleset, load balancing is enabled or disabled
        by the values enabled(1) and disabled(2) respectively.
        Additionally, a Load Balancing disabling period is defined in
        docsLoadBalBasicRuleDisStart and docsLoadBalBasicRuleDisPeriod
        if this object value is set to disabledPeriod(3)."
```

```

    ::= { docsLoadBalBasicRuleEntry 2 }

docsLoadBalBasicRuleDisStart    OBJECT-TYPE
    SYNTAX      Unsigned32 (0..86400)
    UNITS       "seconds"
    MAX-ACCESS  read-create
    STATUS      current
    DESCRIPTION
        "if object docsLoadBalBasicRuleEnable is disablePeriod(3)
        Load Balancing is disabled starting at this object value time
        (seconds from 12 AM). Otherwise, this object has no meaning."
    DEFVAL { 0 }
    ::= { docsLoadBalBasicRuleEntry 3 }

docsLoadBalBasicRuleDisPeriod    OBJECT-TYPE
    SYNTAX      Unsigned32 (0..86400)
    UNITS       "seconds"
    MAX-ACCESS  read-create
    STATUS      current
    DESCRIPTION
        "If object docsLoadBalBasicRuleEnable is disablePeriod(3)
        Load Balancing is disabled for the period of time defined
        between docsLoadBalBasicRuleDisStart and
        docsLoadBalBasicRuleDisStart plus the period of time of
        docsLoadBalBasicRuleDisPeriod. Otherwise, this object value
        has no meaning."
    DEFVAL { 0 }
    ::= { docsLoadBalBasicRuleEntry 4 }

docsLoadBalBasicRuleRowStatus    OBJECT-TYPE
    SYNTAX      RowStatus
    MAX-ACCESS  read-create
    STATUS      current
    DESCRIPTION
        "This object is to create or delete rows in
        this table. There is no restriction for changing
        this row status or object's values in this table
        at any time."
    ::= { docsLoadBalBasicRuleEntry 5 }

```

```

-----
-- This table AUGMENTS the docsIfCmtsCmStatusTable to provide
-- the ability to associate the GroupId, PolicyId and Priority
-- to a modem.
-- Association of these attributes can also be done via the
-- cable modem config file.
-----

docsLoadBalCmtsCmStatusTable OBJECT-TYPE
    SYNTAX      SEQUENCE OF DocsLoadBalCmtsCmStatusEntry
    MAX-ACCESS  not-accessible
    STATUS      current
    DESCRIPTION
        "The list contains the load balancing attributes
         associated with the cable modem. "
    ::= { docsLoadBalSystem 4 }

docsLoadBalCmtsCmStatusEntry OBJECT-TYPE
    SYNTAX      DocsLoadBalCmtsCmStatusEntry
    MAX-ACCESS  not-accessible
    STATUS      current
    DESCRIPTION
        "Additional objects for docsIfCmtsCmStatusTable entry
         that relate to load balancing "
    AUGMENTS { docsIfCmtsCmStatusEntry }
    ::= { docsLoadBalCmtsCmStatusTable 1 }

DocsLoadBalCmtsCmStatusEntry ::= SEQUENCE {
    docsLoadBalCmtsCmStatusGroupId  Unsigned32,
    docsLoadBalCmtsCmStatusPolicyId Unsigned32,
    docsLoadBalCmtsCmStatusPriority Unsigned32
}

docsLoadBalCmtsCmStatusGroupId OBJECT-TYPE
    SYNTAX      Unsigned32
    MAX-ACCESS  read-write
    STATUS      current
    DESCRIPTION
        "The Group ID associated with this cable modem."
    ::= { docsLoadBalCmtsCmStatusEntry 1 }

docsLoadBalCmtsCmStatusPolicyId OBJECT-TYPE
    SYNTAX      Unsigned32
    MAX-ACCESS  read-write
    STATUS      current
    DESCRIPTION
        "The Policy ID associated with this cable modem."
    ::= { docsLoadBalCmtsCmStatusEntry 2 }

docsLoadBalCmtsCmStatusPriority OBJECT-TYPE
    SYNTAX      Unsigned32
    MAX-ACCESS  read-write
    STATUS      current
    DESCRIPTION
        "The Priority associated with this cable modem."
    ::= { docsLoadBalCmtsCmStatusEntry 3 }

-----
-- Conformance definitions
-----

docsLoadBalConformance OBJECT IDENTIFIER ::= { docsLoadBalanceMib 2 }
docsLoadBalCompliances OBJECT IDENTIFIER ::= { docsLoadBalConformance 1 }
docsLoadBalGroups      OBJECT IDENTIFIER ::= { docsLoadBalConformance 2 }

```

```

docsLoadBalBasicCompliance MODULE-COMPLIANCE
  STATUS current
  DESCRIPTION
    "The compliance statement for DOCSIS load balancing
    systems."

MODULE -- docsLoadBalancingMib
  MANDATORY-GROUPS {
    docsLoadBalSystemGroup,
    docsLoadBalParametersGroup,
    docsLoadBalPoliciesGroup,
    docsLoadBalBasicRuleGroup,
    docsLoadBalCmtsCmStatusGroup
  }
 ::= { docsLoadBalCompliances 1}

docsLoadBalSystemGroup OBJECT-GROUP
  OBJECTS {
    docsLoadBalEnable,
    docsLoadBalChgOverMacAddress,
    docsLoadBalChgOverDownFrequency,
    docsLoadBalChgOverUpChannelId,
    docsLoadBalChgOverInitTech,
    docsLoadBalChgOverCmd,
    docsLoadBalChgOverCommit,
    docsLoadBalChgOverLastCommit,
    docsLoadBalChgOverStatusMacAddr,
    docsLoadBalChgOverStatusDownFreq,
    docsLoadBalChgOverStatusUpChnId,
    docsLoadBalChgOverStatusInitTech,
    docsLoadBalChgOverStatusCmd,
    docsLoadBalChgOverStatusValue,
    docsLoadBalChgOverStatusUpdate
  }
  STATUS current
  DESCRIPTION
    "A collection of objects providing system-wide
    parameters for load balancing."
  ::= { docsLoadBalGroups 1}

docsLoadBalParametersGroup OBJECT-GROUP
  OBJECTS {
    docsLoadBalGrpIsRestricted,
    docsLoadBalGrpInitTech,
    docsLoadBalGrpDefaultPolicy,
    docsLoadBalGrpEnable,
    docsLoadBalGrpChgOverSuccess,
    docsLoadBalGrpChgOverFails,
    docsLoadBalGrpStatus,
    docsLoadBalChannelStatus,
    docsLoadBalChnPairsOperStatus,
    docsLoadBalChnPairsInitTech,
    docsLoadBalChnPairsRowStatus,
    docsLoadBalRestrictCmMACAddr,
    docsLoadBalRestrictCmMacAddrMask,
    docsLoadBalRestrictCmStatus
  }
  STATUS current
  DESCRIPTION
    "A collection of objects containing the load balancing
    parameters."
  ::= { docsLoadBalGroups 2}

```

```
docsLoadBalPoliciesGroup OBJECT-GROUP
  OBJECTS {
    docsLoadBalPolicyRulePtr,
    docsLoadBalPolicyRowStatus
  }
  STATUS current
  DESCRIPTION
    "A collection of objects providing policies."
  ::= { docsLoadBalGroups 3}

docsLoadBalBasicRuleGroup OBJECT-GROUP
  OBJECTS {
    docsLoadBalBasicRuleEnable,
    docsLoadBalBasicRuleDisStart,
    docsLoadBalBasicRuleDisPeriod,
    docsLoadBalBasicRuleRowStatus
  }
  STATUS current
  DESCRIPTION
    "DOCSIS defined basic Ruleset for load balancing
    policies."
  ::= { docsLoadBalGroups 4}

docsLoadBalCmtsCmStatusGroup OBJECT-GROUP
  OBJECTS {
    docsLoadBalCmtsCmStatusGroupId,
    docsLoadBalCmtsCmStatusPolicyId,
    docsLoadBalCmtsCmStatusPriority
  }
  STATUS current
  DESCRIPTION
    "Cable mode status extension objects."
  ::= { docsLoadBalGroups 5}
```

This page intentionally left blank.

## Annex J Requirements for DOCS-QOS-MIB (mandatory)<sup>1</sup>

```
DOCS-QOS-MIB DEFINITIONS ::= BEGIN
IMPORTS
    MODULE-IDENTITY,
    OBJECT-TYPE,
    Integer32,
    Counter32,
    IpAddress,
    Unsigned32
        FROM SNMPv2-SMI
    TEXTUAL-CONVENTION,
    MacAddress,
    RowStatus,
    TruthValue,
    DisplayString,
    TimeStamp
        FROM SNMPv2-TC
    OBJECT-GROUP,
    MODULE-COMPLIANCE
        FROM SNMPv2-CONF
    ifIndex,
    InterfaceIndex
        FROM IF-MIB
    docsIfMib
        FROM DOCS-IF-MIB;
docsQosMIB MODULE-IDENTITY
    LAST-UPDATED "0010180000Z" -- Oct. 18, 2000
    ORGANIZATION "IETF IPCDN Working Group"
    CONTACT-INFO
        "
            Co-Author: Michael Patrick
            Postal: Motorola ISG
            20 Cabot Blvd, MS M4-30
            Mansfield, MA 02048-1193
            U.S.A.
            Phone: +1 508 261 5707
            E-mail: michael.patrick@motorola.com"
    DESCRIPTION
        "This is the management information for
        Quality Of Service (QOS) for DOCSIS 1.1."
    REVISION "0010180000Z" -- October 18, 2000
    DESCRIPTION
        "Published as draft-ietf-ipcdn-qos-mib-04.txt.
        Changes from qos-mib-03 include:
        - Moved six objects from docsQosServiceFlowTable back
          to docsQosParamSetTable.
        - Added five counters to docsQosDynamicServiceStatsTable for
          DCC counts.
        - Removed notApplicable(256) from docsQosParamSetSchedulingType
        - Clarified reported values of docsQosParamSetTable objects.
          The CMTS reports any CMTS-specific default value it is
          using, and unknown or not applicable params are reported as zero.
        - Add docsQosPktClassBitMap
        - Add docsQosParamSetBitMap
        - Restore docsQosParamSetServiceClassName
        - Add 5 objects to docsQosServiceFlowLogTable
        - Add docsQosServiceClassDirection
        "
END
```

<sup>1</sup>. Added new Annex per ECN OSSSIv2.0-N-04.0127-4 by GO on 3/16/04.

```

 ::= { docsIfMib 7 } -- BPIPlus mib is docsIfMIB 6
docsQosMIBObjects OBJECT IDENTIFIER ::= { docsQosMIB 1 }

-- Textual Conventions
IfDirection ::= TEXTUAL-CONVENTION
  STATUS          current
  DESCRIPTION
    " Indicates a direction on an RF MAC interface.
    The value downstream(1) is from Cable Modem
    Termination System to Cable Modem.
    The value upstream(2) is from Cable Modem to
    Cable Modem Termination System."
  SYNTAX          INTEGER {
    downstream(1),
    upstream(2)
  }

BitRate ::= TEXTUAL-CONVENTION
  DISPLAY-HINT    "d"
  STATUS          current
  DESCRIPTION
    " The rate of traffic in unit of bits per second.
    Used to specify traffic rate for QOS."
  SYNTAX          Unsigned32

SchedulingType ::= TEXTUAL-CONVENTION
  STATUS          current
  DESCRIPTION
    " The scheduling service provided by a CMTS for an
    upstream service flow. If the parameter is omitted
    from an upstream QOS Parameter Set, this object takes
    the value of bestEffort (2). This parameter must be
    reported as undefined (1) for downstream QOS Parameter
    Sets."
  SYNTAX          INTEGER {
    undefined (1),
    bestEffort (2),
    nonRealTimePollingService(3),
    realTimePollingService(4),
    unsolicitedGrantServiceWithAD(5),
    unsolicitedGrantService(6)
  }

-----
--
--
-- Packet Classifier Table
--
docsQosPktClassTable OBJECT-TYPE
  SYNTAX          SEQUENCE OF DocsQosPktClassEntry
  MAX-ACCESS      not-accessible
  STATUS          current
  DESCRIPTION
    " This table describes the packet classification
    configured on the CM or CMTS.
    The model is that a packet either received
    as input from an interface or transmitted
    for output on an interface may be compared
    against an ordered list of rules pertaining to
    the packet contents. Each rule is a row of this
    table. A matching rule provides a service flow
    id to which the packet is classified.
    All rules need to match for a packet to match
    a classifier.
    The objects in this row correspond to a set of
    Classifier Encoding parameters in a DOCSIS
    MAC management message. The docsQosPktClassBitMap

```

```

        indicates which particular parameters were present
        in the classifier as signalled in the DOCSIS message.
        If the referenced parameter was not present
        in the signalled DOCSIS 1.1 Classifier, the
        corresponding object in this row reports a
        value as specified in the DESCRIPTION section.
        "
 ::= { docsQosMIBObjects 1 }

docsQosPktClassEntry OBJECT-TYPE
    SYNTAX          DocsQosPktClassEntry
    MAX-ACCESS      not-accessible
    STATUS          current
    DESCRIPTION
        " An entry in this table provides a single packet
          classifier rule. The index ifIndex is an ifType
          of docsCableMaclayer(127). "
    INDEX {
        ifIndex,
        docsQosServiceFlowId,
        docsQosPktClassId
    }

 ::= { docsQosPktClassTable 1 }

DocsQosPktClassEntry ::= SEQUENCE {
    docsQosPktClassId          Integer32,
    docsQosPktClassDirection  IfDirection,
    docsQosPktClassPriority    Integer32,
    docsQosPktClassIpTosLow   OCTET STRING,
    docsQosPktClassIpTosHigh  OCTET STRING,
    docsQosPktClassIpTosMask  OCTET STRING,
    docsQosPktClassIpProtocol Integer32,
    docsQosPktClassIpSourceAddr  IpAddress,
    docsQosPktClassIpSourceMask  IpAddress,
    docsQosPktClassIpDestAddr   IpAddress,
    docsQosPktClassIpDestMask   IpAddress,
    docsQosPktClassSourcePortStart Integer32,
    docsQosPktClassSourcePortEnd Integer32,
    docsQosPktClassDestPortStart Integer32,
    docsQosPktClassDestPortEnd  Integer32,
    docsQosPktClassDestMacAddr  MacAddress,
    docsQosPktClassDestMacMask  MacAddress,
    docsQosPktClassSourceMacAddr MacAddress,
    docsQosPktClassEnetProtocolType INTEGER,
    docsQosPktClassEnetProtocol Integer32,
    docsQosPktClassUserPriLow   Integer32,
    docsQosPktClassUserPriHigh  Integer32,
    docsQosPktClassVlanId      Integer32,
    docsQosPktClassState        INTEGER,
    docsQosPktClassPkts         Counter32,
    docsQosPktClassBitMap       BITS
}

docsQosPktClassId          OBJECT-TYPE
    SYNTAX          Integer32 (1..65535)
    MAX-ACCESS      not-accessible
    STATUS          current
    DESCRIPTION
        " Index assigned to packet classifier entry by
          the CMTS which is unique per service flow."
    REFERENCE       "SP-RFIV1.1-I05-000714, Appendix C.2.1.3.2"
 ::= { docsQosPktClassEntry 1 }

```

```

docsQosPktClassDirection OBJECT-TYPE
    SYNTAX      IfDirection
    MAX-ACCESS  read-only
    STATUS      current
    DESCRIPTION
        " Indicates the direction to which the classifier
          is applied."
    ::= { docsQosPktClassEntry 2 }

docsQosPktClassPriority OBJECT-TYPE
    SYNTAX      Integer32 (0..255)
    MAX-ACCESS  read-only
    STATUS      current
    DESCRIPTION
        " The value specifies the order of evaluation
          of the classifiers.
          The higher the value the higher the priority.
          The value of 0 is used as default in
          provisioned service flows classifiers.
          The default value of 64 is used for dynamic
          service flow classifiers.
          If the referenced parameter is not present
          in a classifier, this object reports the default value
          as defined above."
    REFERENCE   "SP-RFIV1.1-I05-000714, Appendix C.2.1.3.5"
    ::= { docsQosPktClassEntry 3 }

docsQosPktClassIpTosLow OBJECT-TYPE
    SYNTAX      OCTET STRING (SIZE(1))
    MAX-ACCESS  read-only
    STATUS      current
    DESCRIPTION
        " The low value of a range of TOS byte values.
          If the referenced parameter is not present
          in a classifier, this object reports the value of 0."
    REFERENCE   "SP-RFIV1.1-I05-000714, Appendix C.2.1.5.1"
    ::= { docsQosPktClassEntry 4 }

docsQosPktClassIpTosHigh OBJECT-TYPE
    SYNTAX      OCTET STRING (SIZE(1))
    MAX-ACCESS  read-only
    STATUS      current
    DESCRIPTION
        " The 8-bit high value of a range of TOS byte
          values.
          If the referenced parameter is not present
          in a classifier, this object reports the value of 0."
    REFERENCE   "SP-RFIV1.1-I05-000714, Appendix C.2.1.5.1"
    ::= { docsQosPktClassEntry 5 }

docsQosPktClassIpTosMask OBJECT-TYPE
    SYNTAX      OCTET STRING (SIZE(1))
    MAX-ACCESS  read-only
    STATUS      current
    DESCRIPTION
        "The mask value is bit-wise ANDed edited with TOS byte
          in an IP packet. This value is used to check
          range checking of TosLow and TosHigh.
          If the referenced parameter is not present
          in a classifier, this object reports the value of 0."
    REFERENCE   "SP-RFIV1.1-I05-000714, Appendix C.2.1.5.1"
    ::= { docsQosPktClassEntry 6 }

```

```
docsQosPktClassIpProtocol OBJECT-TYPE
    SYNTAX      Integer32 (0..258)
    MAX-ACCESS  read-only
    STATUS      current
    DESCRIPTION
        "This object indicates the value of the IP
        Protocol field required for IP packets to match
        this rule.
        The value 256 matches traffic with any IP Protocol
        value. The value 257, by convention, matches both TCP
        and UDP.
        If the referenced parameter is not present
        in a classifier, this object reports the value of 258."
    REFERENCE   "SP-RFIV1.1-I05-000714, Appendix C.2.1.5.2"
    ::= { docsQosPktClassEntry 7 }

docsQosPktClassIpSourceAddr OBJECT-TYPE
    SYNTAX      IpAddress
    MAX-ACCESS  read-only
    STATUS      current
    DESCRIPTION
        "This object specifies the value of the IP
        Source Address required for packets to match
        this rule. An IP packet matches the rule when
        the packet IP source address bit-wise ANDed
        with the docsQosPktClassIpSourceMask value,
        equals the docsQosPktClassIpSourceAddr value.
        If the referenced parameter is not present
        in a classifier, this object reports the value of
        0.0.0.0."
    REFERENCE   "SP-RFIV1.1-I05-000714, Appendix C.2.1.5.3"
    ::= { docsQosPktClassEntry 8 }

docsQosPktClassIpSourceMask OBJECT-TYPE1
    SYNTAX      IpAddress
    MAX-ACCESS  read-only
    STATUS      current
    DESCRIPTION
        "This object specifies which bits of a packet's
        IP Source Address that are compared to match
        this rule.
        An IP packet matches the rule when the packet
        source address bit-wise ANDed with the
        docsQosPktClassIpSourceMask value equals the
        docsQosIpPktClassSourceAddr value.
        If the referenced parameter is not present
        in a classifier, this object reports the value of
        'FFFFFFFF'H."
    REFERENCE   "SP-RFIV1.1-I05-000714, Appendix C.2.1.5.4"
    ::= { docsQosPktClassEntry 9 }

docsQosPktClassIpDestMask OBJECT-TYPE
    SYNTAX      IpAddress
    MAX-ACCESS  read-only
    STATUS      current
    DESCRIPTION
        "This object specifies which bits of a packet's
        IP Destination Address that are compared to
        match this rule.
        An IP packet matches the rule when the packet
        destination address bit-wise ANDed with the
        docsQosPktClassIpDestMask value equals the
        docsQosPktClassIpDestAddr value."
```

---

<sup>1</sup>. Revised this and the following OBJECT-TYPE values per ECN OSSIV2.0-N-04.0139-2 by GO on 7/8/04.

```

                If the referenced parameter is not present
                in a classifier, this object reports the value of
                'FFFFFFFF'H."
REFERENCE      "SP-RFiv1.1-I05-000714, Appendix C.2.1.5.6"
::= { docsQosPktClassEntry 11}

docsQosPktClassIpDestMask OBJECT-TYPE
SYNTAX        IpAddress
MAX-ACCESS    read-only
STATUS        current
DESCRIPTION   " This object specifies which bits of a packet's
                IP Destination Address that are compared to
                match this rule.
                An IP packet matches the rule when the packet
                destination address bit-wise ANDed with the
                docsQosPktClassIpDestMask value equals the
                docsQosPktClassIpDestAddr value.
                If the referenced parameter is not present
                in a classifier, this object reports the value of
                0.0.0.0."
REFERENCE      "SP-RFiv1.1-I05-000714, Appendix C.2.1.5.6"
::= { docsQosPktClassEntry 11}

docsQosPktClassSourcePortStart OBJECT-TYPE
SYNTAX        Integer32 (0..65535)
MAX-ACCESS    read-only
STATUS        current
DESCRIPTION   " This object specifies the low end inclusive
                range of TCP/UDP source port numbers to which
                a packet is compared. This object is irrelevant
                for non-TCP/UDP IP packets.
                If the referenced parameter is not present
                in a classifier, this object reports the value of 0."
REFERENCE      "SP-RFiv1.1-I05-000714, Appendix C.2.1.5.7"
::= { docsQosPktClassEntry 12 }

docsQosPktClassSourcePortEnd OBJECT-TYPE
SYNTAX        Integer32 (0..65535)
MAX-ACCESS    read-only
STATUS        current
DESCRIPTION   " This object specifies the high end inclusive
                range of TCP/UDP source port numbers to which
                a packet is compared. This object is irrelevant
                for non-TCP/UDP IP packets.
                If the referenced parameter is not present
                in a classifier, this object reports the value of
                65535."
REFERENCE      "SP-RFiv1.1-I05-000714, Appendix C.2.1.5.9"
::= { docsQosPktClassEntry 13 }

docsQosPktClassDestPortStart OBJECT-TYPE
SYNTAX        Integer32 (0..65535)
MAX-ACCESS    read-only
STATUS        current
DESCRIPTION   " This object specifies the low end inclusive
                range of TCP/UDP destination port numbers to
                which a packet is compared.
                If the referenced parameter is not present
                in a classifier, this object reports the value of 0."
REFERENCE      "SP-RFiv1.1-I05-000714, Appendix C.2.1.5.9"

```

```
 ::= { docsQosPktClassEntry 14 }

docsQosPktClassDestPortEnd OBJECT-TYPE
    SYNTAX      Integer32 (0..65535)
    MAX-ACCESS  read-only
    STATUS      current
    DESCRIPTION
        " This object specifies the high end inclusive
          range of TCP/UDP destination port numbers to which
          a packet is compared.
          If the referenced parameter is not present
          in a classifier, this object reports the value of
          65535."
    REFERENCE   "SP-RFIV1.1-I05-000714, Appendix C.2.1.5.10"
    ::= { docsQosPktClassEntry 15 }

docsQosPktClassDestMacAddr OBJECT-TYPE
    SYNTAX      MacAddress
    MAX-ACCESS  read-only
    STATUS      current
    DESCRIPTION
        " An Ethernet packet matches an entry when its
          destination MAC address bit-wise ANDed with
          docsQosPktClassDestMacMask equals the value of
          docsQosPktClassDestMacAddr.
          If the referenced parameter is not present
          in a classifier, this object reports the value of
          '000000000000'H.
          "
    REFERENCE   "SP-RFIV1.1-I05-000714, Appendix C.2.1.6.1"
    ::= { docsQosPktClassEntry 16 }

docsQosPktClassDestMacMask OBJECT-TYPE
    SYNTAX      MacAddress
    MAX-ACCESS  read-only
    STATUS      current
    DESCRIPTION
        " An Ethernet packet matches an entry when its
          destination MAC address bit-wise ANDed with
          docsQosPktClassDestMacMask equals the value of
          docsQosPktClassDestMacAddr.
          If the referenced parameter is not present
          in a classifier, this object reports the value of
          '000000000000'H.
          "
    REFERENCE   "SP-RFIV1.1-I05-000714, Appendix C.2.1.6.1"
    ::= { docsQosPktClassEntry 17 }

docsQosPktClassSourceMacAddr OBJECT-TYPE
    SYNTAX      MacAddress
    MAX-ACCESS  read-only
    STATUS      current
    DESCRIPTION
        " An Ethernet packet matches this entry when its
          source MAC address equals the value of
          this object.
          If the referenced parameter is not present
          in a classifier, this object reports the value of
          'FFFFFFFFFFFF'H.
          "
    REFERENCE   "SP-RFIV1.1-I05-000714, Appendix C.2.1.6.2"
    ::= { docsQosPktClassEntry 18 }
```

```
docsQosPktClassEnetProtocolType OBJECT-TYPE
    SYNTAX          INTEGER {
        none(0),
        ethertype(1),
        dsap(2),
        mac(3),
        all(4)
    }

    MAX-ACCESS      read-only
    STATUS          current
    DESCRIPTION
        "This object indicates the format of the layer 3
        protocol id in the Ethernet packet. A value of
        none(0) means that the rule does not use the
        layer 3 protocol type as a matching criteria.
        A value of ethertype(1) means that the rule
        applies only to frames which contains an
        EtherType value. Ethertype values are contained
        in packets using the Dec-Intel-Xerox (DIX)
        encapsulation or the RFC1042 Sub-Network Access
        Protocol (SNAP) encapsulation formats.
        A value of dsap(2) means that the rule applies
        only to frames using the IEEE802.3
        encapsulation format with a Destination Service
        Access Point (DSAP) other
        than 0xAA (which is reserved for SNAP).
        A value of mac(3) means that the rule applies
        only to MAC management messages for MAC management
        messages.
        A value of all(4) means that the rule matches
        all Ethernet packets.
        If the Ethernet frame contains an 802.1P/Q Tag
        header (i.e. EtherType 0x8100), this object
        applies to the embedded EtherType field within
        the 802.1P/Q header.
        If the referenced parameter is not present
        in a classifier, this object reports the value of 0.
        "
    REFERENCE      "SP-RFiv1.1-I05-000714, Appendix C.2.1.6.3"
    ::= { docsQosPktClassEntry 19 }
```

```
docsQosPktClassEnetProtocol OBJECT-TYPE
    SYNTAX          Integer32 (0..65535)
    MAX-ACCESS      read-only
    STATUS          current
    DESCRIPTION
        "If docsQosEthPktClassProtocolType is none(0),
        this object is ignored when considering whether
        a packet matches the current rule.
        If docsQosPktClassEnetProtocolType is ethertype(1),
        this object gives the 16-bit value of the
        EtherType that the packet must match in order to
        match the rule.
        If docsQosPktClassEnetProtocolType is dsap(2), the
        lower 8 bits of this object's value must match the
        DSAP byte of the packet in order to match the
        rule.
        If docsQosPktClassEnetProtocolType is mac(3), the
        lower 8 bits of this object value represent a
        lower bound (inclusive) of MAC management message
        type codes matched, and the upper 8 bits of this
        object value represent the upper bound (inclusive)
        of matched MAC message type codes. Certain
        message type codes are excluded from matching, as
```

```

specified in the reference.
If the Ethernet frame contains an 802.1P/Q Tag header
(i.e. EtherType 0x8100), this object applies to the
embedded EtherType field within the 802.1P/Q header.
If the referenced parameter is not present in the
classifier, the value of this object is reported as 0.
"
REFERENCE      "SP-RFIV1.1-I05-000714, Appendix C.2.1.6.3"
::= { docsQosPktClassEntry 20 }

-- docsQosPktClassUserPriApplies { docsQosPktClassEntry 21 }

-- was removed in revision -03.
docsQosPktClassUserPriLow OBJECT-TYPE
SYNTAX          Integer32 (0..7)
MAX-ACCESS      read-only
STATUS          current
DESCRIPTION
    " This object applies only to Ethernet frames
      using the 802.1P/Q tag header (indicated with
      EtherType 0x8100). Such frames include a 16-bit
      Tag that contains a 3 bit Priority field and
      a 12 bit VLAN number.
      Tagged Ethernet packets must have a 3-bit
      Priority field within the range of
      docsQosPktClassPriLow and docsQosPktClassPriHigh in
      order to match this rule.
      If the referenced parameter is not present in the
      classifier, the value of this object is reported as 0.
    "
REFERENCE      "SP-RFIV1.1-I05-000714, Appendix C.2.1.7.1"
::= { docsQosPktClassEntry 22 }

docsQosPktClassUserPriHigh OBJECT-TYPE
SYNTAX          Integer32 (0..7)
MAX-ACCESS      read-only
STATUS          current
DESCRIPTION
    " This object applies only to Ethernet frames
      using the 802.1P/Qtag header (indicated with
      EtherType 0x8100). Such frames include a 16-bit
      Tag that contains a 3 bit Priority field and
      a 12 bit VLAN number.
      Tagged Ethernet packets must have a 3-bit
      Priority field within the range of
      docsQosPktClassPriLow and
      docsQosPktClassPriHigh in order to match this
      rule.
      If the referenced parameter is not present in the
      classifier, the value of this object is reported
      as 7.
    "
REFERENCE      "SP-RFIV1.1-I05-000714, Appendix C.2.1.7.1"
::= { docsQosPktClassEntry 23 }

docsQosPktClassVlanId OBJECT-TYPE
SYNTAX          Integer32 (0..4095)
MAX-ACCESS      read-only
STATUS          current
DESCRIPTION
    " This object applies only to Ethernet frames
      using the 802.1P/Q tag header.
      If this object's value is non-zero, tagged
      packets must have a VLAN Identifier that matches
      the value in order to match the rule.

```

Only the least significant 12 bits of this object's value are valid.

If the referenced parameter is not present in the classifier, the value of this object is reported as 0.

"

REFERENCE "SP-RFiv1.1-I05-000714, Appendix C.2.1.7.2"

::= { docsQosPktClassEntry 24 }

docsQosPktClassState OBJECT-TYPE

SYNTAX INTEGER {  
 active(1),  
 inactive(2)  
}

MAX-ACCESS read-only

STATUS current

DESCRIPTION

" This object indicates whether or not the classifier is enabled to classify packets to a Service Flow. If the referenced parameter is not present in the classifier, the value of this object is reported as active(1)."

"

REFERENCE "SP-RFiv1.1-I05-000714, Appendix C.2.1.3.6"

::= { docsQosPktClassEntry 25 }

docsQosPktClassPkts OBJECT-TYPE

SYNTAX Counter32

MAX-ACCESS read-only

STATUS current

DESCRIPTION

" This object counts the number of packets that have been classified using this entry."

::= { docsQosPktClassEntry 26 }

docsQosPktClassBitMap OBJECT-TYPE

SYNTAX BITS { -- Reference SP-RFiv1.1-I05-000714  
 rulePriority(0), -- Appendix C.2.1.3.4  
 activationState(1), -- Appendix C.2.1.3.6  
 ipTos(2), -- Appendix C.2.1.5.1  
 ipProtocol(3), -- Appendix C.2.1.5.2  
 ipSourceAddr(4), -- Appendix C.2.1.5.3  
 ipSourceMask(5), -- Appendix C.2.1.5.4  
 ipDestAddr(6), -- Appendix C.2.1.5.5  
 ipDestMask(7), -- Appendix C.2.1.5.6  
 sourcePortStart(8), -- Appendix C.2.1.5.7  
 sourcePortEnd(9), -- Appendix C.2.1.5.8  
 destPortStart(10), -- Appendix C.2.1.5.9  
 destPortEnd(11), -- Appendix C.2.1.5.10  
 destMac(12), -- Appendix C.2.1.6.1  
 sourceMac(13), -- Appendix C.2.1.6.2  
 ethertype(14), -- Appendix C.2.1.6.3  
 userPri(15), -- Appendix C.2.1.7.1  
 vlanId(16) -- Appendix C.2.1.7.2  
}

MAX-ACCESS read-only

STATUS current

DESCRIPTION

" This object indicates which parameter encodings were actually present in the DOCSIS packet classifier encoding signalled in the DOCSIS message that created the classifier.

A bit of this object is set to 1 if the parameter

```

        indicated by the comment was present in the classifier
        encoding, and 0 otherwise.
        Note that BITS are encoded most significant bit
        first, so that if e.g. bits 6 and 7 are set, this object
        is encoded as the octet string '030000'H.
        "
    ::= { docsQosPktClassEntry 27 }

--
-- QOS Parameter Set Table
--
docsQosParamSetTable OBJECT-TYPE
    SYNTAX          SEQUENCE OF DocsQosParamSetEntry
    MAX-ACCESS      not-accessible
    STATUS          current
    DESCRIPTION
        " This table describes the set of DOCSIS 1.1 QOS
        parameters defined in a managed device.
        The ifIndex index specifies a DOCSIS MAC Domain.
        The docsQosServiceFlowId index specifies a particular
        Service Flow.
        The docsQosParamSetType index indicates whether
        the active, admitted, or provisioned QOS Parameter
        Set is being described by the row.
        Only the QOS Parameter Sets of Docsis 1.1 service
        flows are represented in this table. Docsis 1.0
        QOS service profiles are not represented in this
        table.
        Each row corresponds to a DOCSIS QOS Parameter Set
        as signaled via DOCSIS MAC management messages.
        Each object in the row corresponds to one or
        part of one DOCSIS 1.1 Service Flow Encoding.
        The docsQosParamSetBitMap object in the row indicates
        which particular parameters were signalled in
        the original registration or dynamic service
        request message that created the QOS Parameter Set.
        In many cases, even if a QOS Parameter Set parameter
        was not signalled, the DOCSIS specification calls
        for a default value to be used. That default value
        is reported as the value of the corresponding object
        in this row.
        Many objects are not applicable depending on
        the service flow direction or upstream scheduling
        type. The object value reported in this case
        is specified in the DESCRIPTION clause.
        "
    ::= { docsQosMIBObjects 2 }

docsQosParamSetEntry OBJECT-TYPE
    SYNTAX          DocsQosParamSetEntry
    MAX-ACCESS      not-accessible
    STATUS          current
    DESCRIPTION
        "A unique set of QOS parameters."
    INDEX {
        ifIndex, docsQosServiceFlowId, docsQosParamSetType
        }
    ::= { docsQosParamSetTable 2 }

-- Type of docsQosParamSet Entry { docsQosParamSetTable 1 } was
-- changed with revision -03
DocsQosParamSetEntry ::= SEQUENCE {
    docsQosParamSetServiceClassName  DisplayString,
    docsQosParamSetPriority           Integer32,
    docsQosParamSetMaxTrafficRate    BitRate,

```

```

docsQosParamSetMaxTrafficBurst    Unsigned32,
docsQosParamSetMinReservedRate    BitRate,
docsQosParamSetMinReservedPkt     Integer32,
docsQosParamSetActiveTimeout      Integer32,
docsQosParamSetAdmittedTimeout    Integer32,
docsQosParamSetMaxConcatBurst     Integer32,
docsQosParamSetSchedulingType     SchedulingType,
docsQosParamSetNomPollInterval    Unsigned32,
docsQosParamSetTolPollJitter      Unsigned32,
docsQosParamSetUnsolicitGrantSize Integer32,
docsQosParamSetNomGrantInterval   Unsigned32,
docsQosParamSetTolGrantJitter     Unsigned32,
docsQosParamSetGrantsPerInterval  Integer32,
docsQosParamSetTosAndMask         OCTET STRING,
docsQosParamSetTosOrMask         OCTET STRING,
docsQosParamSetMaxLatency         Unsigned32,
docsQosParamSetType               INTEGER,
docsQosParamSetRequestPolicyOct   OCTET STRING,
docsQosParamSetBitMap             BITS
}

-- Removed docsQosParamSetRowType { docsQosParamSetEntry 1 }

-- with revision -03
-- Removed docsQosParamSetIndex { docsQosParamSetEntry 2 }

-- with revision -03
-- Removed docsQosParamSetRowStatus { docsQosParamSetEntry 3}

-- with revision -03
docsQosParamSetServiceClassName OBJECT-TYPE
SYNTAX      DisplayString
MAX-ACCESS  read-only
STATUS      current
DESCRIPTION
    " Refers to the Service Class Name that the
      parameter set values were derived.
      If the referenced parameter is not present in the
      corresponding DOCSIS QOS Parameter Set, the default
      value of this object is a zero length string.
    "
REFERENCE   "SP-RFIV1.1-I05-000714, Appendix C.2.2.3.4"
 ::= { docsQosParamSetEntry 4 }

docsQosParamSetPriority OBJECT-TYPE
SYNTAX      Integer32 (0..7)
MAX-ACCESS  read-only
STATUS      current
DESCRIPTION
    " The relative priority of a service flow.
      Higher numbers indicate higher priority.
      This priority should only be used to differentiate
      service flow with identical parameter sets.
      If the referenced parameter is not present in the
      corresponding DOCSIS QOS Parameter Set, the default
      value of this object is 0. If the parameter is
      not applicable, the reported value is 0.
    "
REFERENCE   "SP-RFIV1.1-I05-000714, Appendix C.2.2.5.2"
 ::= { docsQosParamSetEntry 5 }

docsQosParamSetMaxTrafficRate OBJECT-TYPE
SYNTAX      BitRate
MAX-ACCESS  read-only
STATUS      current

```

## DESCRIPTION

" Maximum sustained traffic rate allowed for this service flow in bits/sec. Must count all MAC frame data PDU from the bytes following the MAC header HCS to the end of the CRC. The number of bytes forwarded is limited during any time interval. The value 0 means no maximum traffic rate is enforced. This object applies to both upstream and downstream service flows.  
If the referenced parameter is not present in the corresponding DOCSIS QOS Parameter Set, the default value of this object is 0. If the parameter is not applicable, it is reported as 0.

REFERENCE "SP-RFIV1.1-I05-000714, Appendix C.2.2.5.3"  
::= { docsQosParamSetEntry 6 }

## docsQosParamSetMaxTrafficBurst OBJECT-TYPE

SYNTAX Unsigned32  
MAX-ACCESS read-only  
STATUS current

## DESCRIPTION

" Specifies the token bucket size in bytes for this parameter set. The value is calculated from the byte following the MAC header HCS to the end of the CRC. This object is applied in conjunction with docsQosParamSetMaxTrafficRate to calculate maximum sustained traffic rate.  
If the referenced parameter is not present in the corresponding DOCSIS QOS Parameter Set, the default value of this object for scheduling types bestEffort (2), nonRealTimePollingService(3), and realTimePollingService(4) is 3044.  
If this parameter is not applicable, it is reported as 0."

REFERENCE "SP-RFIV1.1-I05-000714, Appendix C.2.2.5.4"  
::= { docsQosParamSetEntry 7 }

## docsQosParamSetMinReservedRate OBJECT-TYPE

SYNTAX BitRate  
MAX-ACCESS read-only  
STATUS current

## DESCRIPTION

" Specifies the guaranteed minimum rate in bits/sec for this parameter set. The value is calculated from the byte following the MAC header HCS to the end of the CRC. The default value of 0 has the meaning that no bandwidth is reserved.  
If the referenced parameter is not present in the corresponding DOCSIS QOS Parameter Set, the default value of this object is 0. If the parameter is not applicable, it is reported as 0.

REFERENCE "SP-RFIV1.1-I05-000714, Appendix C.2.2.5.5"  
::= { docsQosParamSetEntry 8 }

## docsQosParamSetMinReservedPkt OBJECT-TYPE

SYNTAX Integer32 (0..65535)  
MAX-ACCESS read-only  
STATUS current

## DESCRIPTION

" Specifies an assumed minimum packet size in bytes for which the docsQosParamSetMinReservedRate will be provided. The value is calculated from

the byte following the MAC header HCS to the end of the CRC.  
 If the referenced parameter is omitted from a DOCSIS QOS parameter set, the default value is CMTS implementation dependent. In this case, the CMTS reports the default value it is using and the CM reports a value of 0. If the referenced parameter is not applicable to the direction or scheduling type of the service flow, both CMTS and CM report this object's value as 0.

```
"
REFERENCE      "SP-RFIV1.1-I05-000714, Appendix C.2.2.5.6"
::= { docsQosParamSetEntry 9 }
```

docsQosParamSetActiveTimeout OBJECT-TYPE

```
SYNTAX          Integer32 (0..65535)
UNITS           "seconds"
MAX-ACCESS      read-only
STATUS          current
```

DESCRIPTION

" Specifies the maximum duration in seconds that resources remain unused on an active service flow before CMTS signals that both active and admitted parameters set are null. The default value of 0 signifies an infinite amount of time.  
 If the referenced parameter is not present in the corresponding DOCSIS QOS Parameter Set, the default value of this object is 0.

```
"
REFERENCE      "SP-RFIV1.1-I05-000714, Appendix C.2.2.5.7"
::= { docsQosParamSetEntry 10 }
```

docsQosParamSetAdmittedTimeout OBJECT-TYPE

```
SYNTAX          Integer32 (0..65535)
UNITS           "seconds"
MAX-ACCESS      read-only
STATUS          current
```

DESCRIPTION

" Specifies the maximum duration in seconds that resources remain in admitted state before resources must be released. The value of 0 signifies an infinite amount of time.  
 If the referenced parameter is not present in the corresponding DOCSIS QOS Parameter Set, the default value of this object is 200.

```
"
REFERENCE      "SP-RFIV1.1-I05-000714, Appendix C.2.2.5.8"
DEFVAL        { 200 }
```

```
::= { docsQosParamSetEntry 11 }
```

docsQosParamSetMaxConcatBurst OBJECT-TYPE

```
SYNTAX          Integer32 (0..65535)
MAX-ACCESS      read-only
STATUS          current
```

DESCRIPTION

" Specifies the maximum concatenated burst in bytes which an upstream service flow is allowed. The value is calculated from the FC byte of the Concatenation MAC Header to the last CRC byte in of the last concatenated MAC frame, inclusive. The value of 0 specifies no maximum burst.  
 If the referenced parameter is not present in the

```

    corresponding DOCSIS QOS Parameter Set, the default
    value of this object is 1522. If the parameter is
    not applicable, this object's value is reported
    as 0."
REFERENCE      "SP-RFIV1.1-I05-000714, Appendix C.2.2.6.1"
::= { docsQosParamSetEntry 12 }

docsQosParamSetSchedulingType OBJECT-TYPE
SYNTAX        SchedulingType
MAX-ACCESS    read-only
STATUS        current
DESCRIPTION   " Specifies the upstream scheduling service used for
               upstream service flow.
               If the referenced parameter is not present in the
               corresponding DOCSIS QOS Parameter Set of an
               upstream service flow, the default value of this
               object is bestEffort(2). For QOS parameter sets of
               downstream service flows, this object's value is
               reported as undefined(1).
               "
REFERENCE      "SP-RFIV1.1-I05-000714, Appendix C.2.2.6.2"
::= { docsQosParamSetEntry 13 }

-- Changed type of docsQosParamSetRequestPolicy { docsQosParamSetEntry 14 }
--   to docsQosParamSetRequestPolicyOct { docsQosParamSetEntry 25 }

docsQosParamSetNomPollInterval OBJECT-TYPE
SYNTAX        Unsigned32
UNITS         "microseconds"
MAX-ACCESS    read-only
STATUS        current
DESCRIPTION   " Specifies the nominal interval in microseconds
               between successive unicast request
               opportunities on an upstream service flow.
               This object applies only to upstream service flows
               with schedulingType of value
               nonRealTimePollingService(3),
               realTimePollingService(4), and
               unsolicitedGrantServiceWithAD(5). The parameter is
               mandatory for realTimePollingService(4). If the
               parameter is omitted with
               nonRealTimePollingService(3), the CMTS uses an
               implementation dependent value. If the parameter
               is omitted with unsolicitedGrantServiceWithAD(5),
               the CMTS uses as a default value the value of the
               Nominal Grant Interval parameter. In all cases,
               the CMTS reports the value it is using when the
               parameter is applicable. The CM reports the
               signaled parameter value if it was signaled,
               and 0 otherwise.
               If the referenced parameter is not applicable to
               the direction or scheduling type of the
               corresponding DOCSIS QOS Parameter Set, both
               CMTS and CM report this object's value as 0.
               "
REFERENCE      "SP-RFIV1.1-I05-000714, Appendix C.2.2.6.4"
::= { docsQosParamSetEntry 15 }

docsQosParamSetToIPollJitter OBJECT-TYPE
SYNTAX        Unsigned32
UNITS         "microseconds"
MAX-ACCESS    read-only

```

```

STATUS          current
DESCRIPTION
  " Specifies the maximum amount of time in
  microseconds that the unicast request interval
  may be delayed from the nominal periodic
  schedule on an upstream service flow.
  This parameter is applicable only to upstream
  service flows with a SchedulingType of
  realTimePollingService(4) or
  unsolicitedGrantServiceWithAD(5).
  If the referenced parameter is applicable but not
  present in the corresponding DOCSIS QOS Parameter
  Set, the CMTS uses an implementation dependent
  value and reports the value it is using.
  The CM reports a value of 0 in this case.
  If the parameter is not applicable to the
  direction or upstream scheduling type of the
  service flow, both CMTS and CM report this
  object's value as 0.
  "
REFERENCE       "SP-RFIV1.1-I05-000714, Appendix C.2.2.6.5"
::= { docsQosParamSetEntry 16 }

```

```

docsQosParamSetUnsolicitGrantSize OBJECT-TYPE
SYNTAX          Integer32 (0..65535)
MAX-ACCESS      read-only
STATUS          current
DESCRIPTION
  " Specifies the unsolicited grant size in bytes.
  The grant size includes the entire MAC frame
  data PDU from the Frame Control byte to end of
  the MAC frame.
  The referenced parameter is applicable only
  for upstream flows with a SchedulingType of
  of unsolicitedGrantServiceWithAD(5) or
  unsolicitedGrantService(6), and is mandatory
  when applicable. Both CMTS and CM report
  the signaled value of the parameter in this
  case.
  If the referenced parameter is not applicable to
  the direction or scheduling type of the
  corresponding DOCSIS QOS Parameter Set, both
  CMTS and CM report this object's value as 0.
  "
REFERENCE       "SP-RFIV1.1-I05-000714, Appendix C.2.2.6.6"
::= { docsQosParamSetEntry 17 }

```

```

docsQosParamSetNomGrantInterval OBJECT-TYPE
SYNTAX          Unsigned32
UNITS           "microseconds"
MAX-ACCESS      read-only
STATUS          current
DESCRIPTION
  " Specifies the nominal interval in microseconds
  between successive data grant opportunities
  on an upstream service flow.
  The referenced parameter is applicable only
  for upstream flows with a SchedulingType of
  of unsolicitedGrantServiceWithAD(5) or
  unsolicitedGrantService(6), and is mandatory
  when applicable. Both CMTS and CM report the
  signaled value of the parameter in this case.
  If the referenced parameter is not applicable to
  the direction or scheduling type of the
  corresponding DOCSIS QOS Parameter Set, both

```

```

        CMTS and CM report this object's value as 0.
        "
REFERENCE      "SP-RFIV1.1-I05-000714, Appendix C.2.2.6.7"
 ::= { docsQosParamSetEntry 18 }

docsQosParamSetTolGrantJitter OBJECT-TYPE
SYNTAX        Unsigned32
UNITS         "microseconds"
MAX-ACCESS    read-only
STATUS        current
DESCRIPTION   " Specifies the maximum amount of time in
               microseconds that the transmission opportunities
               may be delayed from the nominal periodic schedule.
               The referenced parameter is applicable only
               for upstream flows with a SchedulingType of
               of unsolicitedGrantServiceWithAD(5) or
               unsolicitedGrantService(6), and is mandatory
               when applicable. Both CMTS and CM report the
               signaled value of the parameter in this case.
               If the referenced parameter is not applicable to
               the direction or scheduling type of the
               corresponding DOCSIS QOS Parameter Set, both
               CMTS and CM report this object's value as 0.
               "
REFERENCE      "SP-RFIV1.1-I05-000714, Appendix C.2.2.6.8"
 ::= { docsQosParamSetEntry 19 }

docsQosParamSetGrantsPerInterval OBJECT-TYPE
SYNTAX        Integer32 (0..127)
MAX-ACCESS    read-only
STATUS        current
DESCRIPTION   "Specifies the number of data grants per Nominal
               Grant Interval (docsQosParamSetNomGrantInterval).
               The referenced parameter is applicable only
               for upstream flows with a SchedulingType of
               of unsolicitedGrantServiceWithAD(5) or
               unsolicitedGrantService(6), and is mandatory
               when applicable. Both CMTS and CM report the
               signaled value of the parameter in this case.
               If the referenced parameter is not applicable to
               the direction or scheduling type of the
               corresponding DOCSIS QOS Parameter Set, both
               CMTS and CM report this object's value as 0.
               "
REFERENCE      "SP-RFIV1.1-I05-000714, Appendix C.2.2.6.9"
 ::= { docsQosParamSetEntry 20 }

docsQosParamSetTosAndMask OBJECT-TYPE
SYNTAX        OCTET STRING (SIZE(1))
MAX-ACCESS    read-only
STATUS        current
DESCRIPTION   " Specifies the AND mask for IP TOS byte for overwriting
               IP packets TOS value. The IP packets TOS byte is
               bit-wise AND with docsQosParamSetTosAndMask and
               result is bit-wise Ored with docsQosParamSetTosORMask
               and result is written to IP packet TOS byte.
               A value of 'FF'H for docsQosParamSetTosAndMask and
               a value of '00'H for docsQosParamSetTosOrMask means
               that IP Packet TOS byte is not overwritten.
               This combination is reported if the referenced
               parameter is not present in a QOS Parameter Set."
REFERENCE      "SP-RFIV1.1-I05-000714, Appendix C.2.2.6.10"

```

```

 ::= { docsQosParamSetEntry 21 }

docsQosParamSetTosOrMask OBJECT-TYPE
    SYNTAX      OCTET STRING (SIZE(1))
    MAX-ACCESS  read-only
    STATUS      current
    DESCRIPTION
        " Specifies the OR mask for IP TOS byte.
          See the description of docsQosParamSetTosAndMask
          for further details."
    REFERENCE   "SP-RFIV1.1-I05-000714, Appendix C.2.2.6.10"
 ::= { docsQosParamSetEntry 22 }

docsQosParamSetMaxLatency OBJECT-TYPE
    SYNTAX      Unsigned32
    UNITS       "microseconds"
    MAX-ACCESS  read-only
    STATUS      current
    DESCRIPTION
        "Specifies the maximum latency between the
          reception of a packet by the CMTS on its NSI
          and the forwarding of the packet to the RF
          interface. A value of 0 signifies no maximum
          latency enforced. This object only applies to
          downstream service flows.
          If the referenced parameter is not present in the
          corresponding downstream DOCSIS QOS Parameter Set,
          the default value is 0. This parameter is
          not applicable to upstream DOCSIS QOS Parameter Sets,
          and its value is reported as 0 in this case."
    REFERENCE   "SP-RFIV1.1-I05-000714, Appendix C.2.2.7.1"
 ::= { docsQosParamSetEntry 23 }

docsQosParamSetType      OBJECT-TYPE
    SYNTAX      INTEGER {
        active (1),
        admitted (2),
        provisioned (3)
    }
    MAX-ACCESS  not-accessible
    STATUS      current
    DESCRIPTION
        "Defines the type of the QOS parameter set defined
          by this row. active(1) indicates the Active QOS
          parameter set, describing the service currently
          being provided by the Docsis MAC domain to the
          service flow. admitted(2) indicates the Admitted
          QOS Parameter Set, describing services reserved by
          by the Docsis MAC domain for use by the service flow.
          provisioned (3) describes the QOS Parameter Set
          defined in the DOCSIS CM Configuration file for
          the service flow."
    REFERENCE   "SP-RFIV1.1-I05-000714, 8.1.5"
 ::= { docsQosParamSetEntry 24 }

docsQosParamSetRequestPolicyOct OBJECT-TYPE
    SYNTAX      OCTET STRING (SIZE(4))
    -- A 32-bit mask represented most significant byte
    -- first. The 32 bit integer represented in this manner
    -- equals the binary value of the referenced integer
    -- parameter of the DOCSIS RFI specification.
    -- The BITS syntax is not used in order to avoid
    -- the confusion caused by different bit numbering

```

```

-- conventions.
MAX-ACCESS      read-only
STATUS          current
DESCRIPTION
" Specifies which transmit interval opportunities
the CM omits for upstream transmission requests and
packet transmissions. This object takes its
default value for downstream service flows.
Unless otherwise indicated, a bit value of 1 means
that a CM must *not* use that opportunity for
upstream transmission.
Calling bit 0 the least significant bit of the
least significant (4th) octet, and increasing
bit number with significance, the bit definitions
are as defined below:
broadcastReqOpp(0):
    all CMs broadcast request opportunities
priorityReqMulticastReq(1):
    priority request multicast request opportunities
reqDataForReq(3):
    request/data opportunities for requests
reqDataForData(4):
    request/data opportunities for data
concatenateData(5):
    concatenate data
fragmentData(6):
    fragment data
suppresspayloadheaders(7):
    suppress payload headers
dropPktsExceedUGSize(8):
    A value of 1 mean that service flow must drop
    packet that do not fit in the Unsolicited
    Grant size
If the referenced parameter is not present in
a QoS Parameter Set, the value of this object is
reported as '00000000'H.
"
REFERENCE      "SP-RFIV1.1-I05-000714, Appendix C.2.2.6.3"
::= { docsQosParamSetEntry 25 }

docsQosParamSetBitMap OBJECT-TYPE
    -- Each bit corresponds to a parameter
    -- from SP-RFI-v1.1-I05-000714, Appendix C
SYNTAX        BITS {
    trafficPriority(0),      -- C.2.2.5.2
    maxTrafficRate(1),     -- C.2.2.5.3
    maxTrafficBurst(2),    -- C.2.2.5.4
    minReservedRate(3),   -- C.2.2.5.5
    minReservedPkt(4),    -- C.2.2.5.6
    activeTimeout(5),     -- C.2.2.5.7
    admittedTimeout(6),  -- C.2.2.5.8
    maxConcatBurst(7),    -- C.2.2.6.1
    schedulingType(8),    -- C.2.2.6.2
    requestPolicy(9),     -- C.2.2.6.3
    nomPollInterval(10),  -- C.2.2.6.4
    tolPollJitter(11),   -- C.2.2.6.5
    unsolicitGrantSize(12), -- C.2.2.6.6
    nomGrantInterval(13), -- C.2.2.6.7
    tolGrantJitter(14),  -- C.2.2.6.8
    grantsPerInterval(15), -- C.2.2.6.9
    tosOverwrite(16),    -- C.2.2.6.10
    maxLatency(17)       -- C.2.2.7.1
}

MAX-ACCESS      read-only

```

```

STATUS          current
DESCRIPTION
  "This object indicates the set of QOS Parameter
  Set parameters actually signaled in the
  DOCSIS registration or dynamic service request
  message that created the QOS Parameter Set.
  A bit is set to 1 when the parameter described
  by the indicated reference section is present
  in the original request.
  Note that when Service Class names are expanded,
  the registration or dynamic response message may
  contain parameters as expanded by the CMTS based
  on a stored service class. These expanded
  parameters are *not* indicated by a 1 bit in this
  object.
  Note that even though some QOS Parameter Set
  parameters may not be signalled in a message
  (so that the parameter's bit in this object is 0)
  the DOCSIS specification calls for default
  values to be used. These default values are
  reported as the corresponding object's value in
  the row.
  Note that BITS objects are encoded most
  significant bit first. For example, if bits
  1 and 16 are set, the value of this object
  is the octet string '400080'H."

 ::= { docsQosParamSetEntry 26 }

--
-- Service Flow Table
--
docsQosServiceFlowTable OBJECT-TYPE
    SYNTAX          SEQUENCE OF DocsQosServiceFlowEntry
    MAX-ACCESS      not-accessible
    STATUS          current
    DESCRIPTION
        " This table describes the set of Docsis-QOS
        Service Flows in a managed device. "
    ::= { docsQosMIBObjects 3 }

docsQosServiceFlowEntry OBJECT-TYPE
    SYNTAX          DocsQosServiceFlowEntry
    MAX-ACCESS      not-accessible
    STATUS          current
    DESCRIPTION
        " Describes a service flow.
        An entry in the table exists for each
        Service Flow ID. The ifIndex is an
        ifType of docsCableMaclayer(127). "
    INDEX {
        ifIndex,
        docsQosServiceFlowId
    }
    ::= { docsQosServiceFlowTable 1 }

DocsQosServiceFlowEntry ::= SEQUENCE {
    docsQosServiceFlowId          Unsigned32,
    docsQosServiceFlowSID        Unsigned32,
    docsQosServiceFlowDirection IfDirection,
    docsQosServiceFlowPrimary    TruthValue
}

docsQosServiceFlowId OBJECT-TYPE

```

```

SYNTAX      Unsigned32 (1..4294967295)
MAX-ACCESS  not-accessible
STATUS      current
DESCRIPTION
    " An index assigned to a service flow by CMTS."
REFERENCE   "SP-RFIV1.1-I05-000714, Appendix C.2.2.3.2"
 ::= { docsQosServiceFlowEntry 1 }

-- Remove docsQosServiceFlowProvisionedParamSetIndex
-- {docsQosServiceFlowEntry 2} with revision -03
-- Remove docsQosServiceFlowAdmittedParamSetIndex
-- {docsQosServiceFlowEntry 3} with revision -03
-- Remove docsQosServiceFlowActiveParamSetIndex
-- {docsQosServiceFlowEntry 4} with revision -03
docsQosServiceFlowSID OBJECT-TYPE
SYNTAX      Unsigned32 (0..16383)
MAX-ACCESS  read-only
STATUS      current
DESCRIPTION
    " Service Identifier (SID) assigned to an
    admitted or active service flow. This object
    reports a value of 0 if a Service Id is not
    associated with the service flow. Only active
    or admitted upstream service flows will have a
    Service Id (SID). "
REFERENCE   "SP-RFIV1.1-I05-000714, Appendix C.2.2.3.3"
 ::= { docsQosServiceFlowEntry 6 }

docsQosServiceFlowDirection OBJECT-TYPE
SYNTAX      IfDirection
MAX-ACCESS  read-only
STATUS      current
DESCRIPTION
    " The direction of the service flow."
REFERENCE   "SP-RFIV1.1-I05-000714, Appendix C.2.1.1/2"
 ::= { docsQosServiceFlowEntry 7 }

docsQosServiceFlowPrimary OBJECT-TYPE
SYNTAX      TruthValue
MAX-ACCESS  read-only
STATUS      current
DESCRIPTION
    "Object reflects whether service flow is the primary
    or a secondary service flow.
    A primary service flow is the default service flow
    for otherwise unclassified traffic and all MAC
    messages."
REFERENCE   "SP-RFIV1.1-I05-000714, Section 8.1 "
 ::= { docsQosServiceFlowEntry 8 }

-- Moved docsQosServiceFlow'ActiveTimeout, 'AdmittedTimeout,
-- 'SchedulingType, 'RequestPolicy, 'TosAndMask, and 'TosOrMask
-- back to docsQosParamSetTable with QOS-MIB-04.
--
-- Service Flow Stats Table
--
docsQosServiceFlowStatsTable OBJECT-TYPE
SYNTAX      SEQUENCE OF DocsQosServiceFlowStatsEntry
MAX-ACCESS  not-accessible
STATUS      current
DESCRIPTION
    " This table describes statistics associated with the
    Service Flows in a managed device. "
 ::= { docsQosMIBObjects 4 }

```

```

docsQosServiceFlowStatsEntry OBJECT-TYPE
    SYNTAX          DocsQosServiceFlowStatsEntry
    MAX-ACCESS      not-accessible
    STATUS          current
    DESCRIPTION
        " Describes a set of service flow statistics.
        An entry in the table exists for each
        Service Flow ID. The ifIndex is an
        ifType of docsCableMaclayer(127). "
    INDEX {
        ifIndex,
        docsQosServiceFlowId
    }

    ::= { docsQosServiceFlowStatsTable 1 }

DocsQosServiceFlowStatsEntry ::= SEQUENCE {
    docsQosServiceFlowPkts          Counter32,
    docsQosServiceFlowOctets       Counter32,
    docsQosServiceFlowTimeCreated  TimeStamp,
    docsQosServiceFlowTimeActive   Counter32,
    docsQosServiceFlowPHSUnknowns  Counter32,
    docsQosServiceFlowPolicedDropPkts Counter32,
    docsQosServiceFlowPolicedDelayPkts Counter32
}

docsQosServiceFlowPkts OBJECT-TYPE
    SYNTAX          Counter32
    MAX-ACCESS      read-only
    STATUS          current
    DESCRIPTION
        " The number of packet counted on this service flow."
    ::= { docsQosServiceFlowStatsEntry 1 }

docsQosServiceFlowOctets OBJECT-TYPE
    SYNTAX          Counter32
    MAX-ACCESS      read-only
    STATUS          current
    DESCRIPTION
        " The number of octets counted on this service flow
        after payload header suppression."
    ::= { docsQosServiceFlowStatsEntry 2 }

docsQosServiceFlowTimeCreated OBJECT-TYPE
    SYNTAX          TimeStamp
    MAX-ACCESS      read-only
    STATUS          current
    DESCRIPTION
        " The value of sysUpTime when the service flow
        was created."
    ::= { docsQosServiceFlowStatsEntry 3 }

docsQosServiceFlowTimeActive OBJECT-TYPE
    SYNTAX          Counter32
    UNITS           "seconds"
    MAX-ACCESS      read-only
    STATUS          current
    DESCRIPTION
        " The total time that service flow has been active."
    ::= { docsQosServiceFlowStatsEntry 4 }

docsQosServiceFlowPHSUnknowns OBJECT-TYPE
    SYNTAX          Counter32
    MAX-ACCESS      read-only
    STATUS          current

```

```

DESCRIPTION
    " The number of packet with unknown payload header
      suppression index."
 ::= { docsQosServiceFlowStatsEntry 5 }

docsQosServiceFlowPolicedDropPkts OBJECT-TYPE
SYNTAX      Counter32
MAX-ACCESS  read-only
STATUS      current
DESCRIPTION
    " The number of packets dropped due to policing of
      the service flow, especially to limit the maximum
      rate of the flow."
 ::= { docsQosServiceFlowStatsEntry 6 }

docsQosServiceFlowPolicedDelayPkts OBJECT-TYPE
SYNTAX      Counter32
MAX-ACCESS  read-only
STATUS      current
DESCRIPTION
    " The number of packet delayed due to policing of
      the service flow, especially to limit the maximum
      rate of the flow."
 ::= { docsQosServiceFlowStatsEntry 7 }

--
-- Upstream Service Flow Stats Table (CMTS ONLY)
--
docsQosUpstreamStatsTable OBJECT-TYPE
SYNTAX      SEQUENCE OF DocsQosUpstreamStatsEntry
MAX-ACCESS  not-accessible
STATUS      current
DESCRIPTION
    " This table describes statistics associated with
      upstream service flows. All counted frames must
      be received without an FCS error."
 ::= { docsQosMIBObjects 5 }

docsQosUpstreamStatsEntry OBJECT-TYPE
SYNTAX      DocsQosUpstreamStatsEntry
MAX-ACCESS  not-accessible
STATUS      current
DESCRIPTION
    " Describes a set of upstream service flow statistics.
      An entry in the table exists for each
      upstream Service Flow in a managed device.
      The ifIndex is an ifType of docsCableMaclayer(127)."
INDEX {
    ifIndex,
    docsQosSID
}
 ::= { docsQosUpstreamStatsTable 1 }

DocsQosUpstreamStatsEntry ::= SEQUENCE {
    docsQosSID                Integer32,
    docsQosUpstreamFragments  Counter32,
    docsQosUpstreamFragDiscards Counter32,
    docsQosUpstreamConcatBursts Counter32
}

docsQosSID OBJECT-TYPE
SYNTAX      Integer32 (1..16383)
MAX-ACCESS  not-accessible
STATUS      current

```

```

DESCRIPTION
    " Identifies a service id for an admitted or active
    upstream service flow."
 ::= { docsQosUpstreamStatsEntry 1 }

-- Renamed in revision -03 from docsQosUpstreamFragPkts
docsQosUpstreamFragments OBJECT-TYPE
    SYNTAX      Counter32
    MAX-ACCESS  read-only
    STATUS      current
    DESCRIPTION
        "The number of fragmentation headers received on an
        upstream service flow, regardless of whether
        the fragment was correctly reassembled into a
        valid packet. "
    ::= { docsQosUpstreamStatsEntry 2 }

docsQosUpstreamFragDiscards OBJECT-TYPE
    SYNTAX      Counter32
    MAX-ACCESS  read-only
    STATUS      current
    DESCRIPTION
        " The number of upstream fragments discarded and not
        assembled into a valid upstream packet."
    ::= { docsQosUpstreamStatsEntry 3 }

docsQosUpstreamConcatBursts OBJECT-TYPE
    SYNTAX      Counter32
    MAX-ACCESS  read-only
    STATUS      current
    DESCRIPTION
        " The number of concatenation headers received on an
        upstream service flow."
    ::= { docsQosUpstreamStatsEntry 4 }

--
-- Dynamic Service Stats Table
--
docsQosDynamicServiceStatsTable OBJECT-TYPE
    SYNTAX      SEQUENCE OF DocsQosDynamicServiceStatsEntry
    MAX-ACCESS  not-accessible
    STATUS      current
    DESCRIPTION
        " This table describes statistics associated with the
        Dynamic Service Flows in a managed device. "
    ::= { docsQosMIBObjects 6 }

docsQosDynamicServiceStatsEntry OBJECT-TYPE
    SYNTAX      DocsQosDynamicServiceStatsEntry
    MAX-ACCESS  not-accessible
    STATUS      current
    DESCRIPTION
        "Describes a set of dynamic service flow statistics.
        Two entries exist for each Docsis mac layer
        interface for the upstream and downstream direction.
        On the CMTS, the downstream direction row indicates
        messages transmitted or transactions originated
        by the CMTS. The upstream direction row indicates
        messages received or transaction originated by the
        CM. On the CM, the downstream direction row
        indicates messages received or transactions
        originated by the CMTS. The upstream direction
        row indicates messages transmitted by the CM or
        transactions originated by the CM.
        The ifIndex is an ifType of docsCableMaclayer(127)."
```

```

INDEX {
    ifIndex,
    docsQosIfDirection
}

 ::= { docsQosDynamicServiceStatsTable 1 }

DocsQosDynamicServiceStatsEntry ::= SEQUENCE {
    docsQosIfDirection          IfDirection,
    docsQosDSAReqs              Counter32,
    docsQosDSARsps              Counter32,
    docsQosDSAACKs              Counter32,
    docsQosDSCReq               Counter32,
    docsQosDSCRsps              Counter32,
    docsQosDSCACKs              Counter32,
    docsQosDSDReq               Counter32,
    docsQosDSDRsps              Counter32,
    docsQosDynamicAdds           Counter32,
    docsQosDynamicAddFails       Counter32,
    docsQosDynamicChanges        Counter32,
    docsQosDynamicChangeFails    Counter32,
    docsQosDynamicDeletes        Counter32,
    docsQosDynamicDeleteFails    Counter32,
    docsQosDCCReq               Counter32,
    docsQosDCCRsps              Counter32,
    docsQosDCCACKs              Counter32,
    docsQosDCCs                  Counter32,
    docsQosDCCFails              Counter32,
    docsQosDCCRspDeparts         Counter32,
    docsQosDCCRspArrives         Counter32
}

docsQosIfDirection OBJECT-TYPE
    SYNTAX      IfDirection
    MAX-ACCESS  not-accessible
    STATUS      current
    DESCRIPTION
        " The direction of interface."
    ::= { docsQosDynamicServiceStatsEntry 1 }

docsQosDSAReqs OBJECT-TYPE
    SYNTAX      Counter32
    MAX-ACCESS  read-only
    STATUS      current
    DESCRIPTION
        " The number of Dynamic Service Addition Requests"
    ::= { docsQosDynamicServiceStatsEntry 2 }

docsQosDSARsps OBJECT-TYPE
    SYNTAX      Counter32
    MAX-ACCESS  read-only
    STATUS      current
    DESCRIPTION
        " The number of Dynamic Service Addition Responses"
    ::= { docsQosDynamicServiceStatsEntry 3 }

docsQosDSAACKs OBJECT-TYPE
    SYNTAX      Counter32
    MAX-ACCESS  read-only
    STATUS      current
    DESCRIPTION
        " The number of Dynamic Service Addition Acknowledgements."
    ::= { docsQosDynamicServiceStatsEntry 4 }

```

```
docsQosDSCReqs OBJECT-TYPE
    SYNTAX      Counter32
    MAX-ACCESS  read-only
    STATUS      current
    DESCRIPTION
        " The number of Dynamic Service Change Requests"
    ::= { docsQosDynamicServiceStatsEntry 5 }

docsQosDSCRsps OBJECT-TYPE
    SYNTAX      Counter32
    MAX-ACCESS  read-only
    STATUS      current
    DESCRIPTION
        " The number of Dynamic Service Change Responses"
    ::= { docsQosDynamicServiceStatsEntry 6 }

docsQosDSCAcks OBJECT-TYPE
    SYNTAX      Counter32
    MAX-ACCESS  read-only
    STATUS      current
    DESCRIPTION
        " The number of Dynamic Service Change Acknowledgements."
    ::= { docsQosDynamicServiceStatsEntry 7 }

docsQosDSDReqs OBJECT-TYPE
    SYNTAX      Counter32
    MAX-ACCESS  read-only
    STATUS      current
    DESCRIPTION
        " The number of Dynamic Service Delete Requests"
    ::= { docsQosDynamicServiceStatsEntry 8 }

docsQosDSDRsps OBJECT-TYPE
    SYNTAX      Counter32
    MAX-ACCESS  read-only
    STATUS      current
    DESCRIPTION
        " The number of Dynamic Service Delete Responses"
    ::= { docsQosDynamicServiceStatsEntry 9 }

docsQosDynamicAdds OBJECT-TYPE
    SYNTAX      Counter32
    MAX-ACCESS  read-only
    STATUS      current
    DESCRIPTION
        " The number of successful Dynamic Service Addition
        transactions."
    ::= { docsQosDynamicServiceStatsEntry 10 }

docsQosDynamicAddFails OBJECT-TYPE
    SYNTAX      Counter32
    MAX-ACCESS  read-only
    STATUS      current
    DESCRIPTION
        " The number of failed Dynamic Service Addition
        transactions."
    ::= { docsQosDynamicServiceStatsEntry 11 }
```

```
docsQosDynamicChanges OBJECT-TYPE
    SYNTAX Counter32
    MAX-ACCESS read-only
    STATUS current
    DESCRIPTION
        " The number of successful Dynamic Service Change
        transactions."
    ::= { docsQosDynamicServiceStatsEntry 12 }

docsQosDynamicChangeFails OBJECT-TYPE
    SYNTAX Counter32
    MAX-ACCESS read-only
    STATUS current
    DESCRIPTION
        " The number of failed Dynamic Service Change
        transactions."
    ::= { docsQosDynamicServiceStatsEntry 13 }

docsQosDynamicDeletes OBJECT-TYPE
    SYNTAX Counter32
    MAX-ACCESS read-only
    STATUS current
    DESCRIPTION
        " The number of successful Dynamic Service Delete
        transactions."
    ::= { docsQosDynamicServiceStatsEntry 14 }

docsQosDynamicDeleteFails OBJECT-TYPE
    SYNTAX Counter32
    MAX-ACCESS read-only
    STATUS current
    DESCRIPTION
        " The number of failed Dynamic Service Delete
        transactions."
    ::= { docsQosDynamicServiceStatsEntry 15 }

docsQosDCCReqs OBJECT-TYPE
    SYNTAX Counter32
    MAX-ACCESS read-only
    STATUS current
    DESCRIPTION
        " The number of Dynamic Channel Change Request messages
        traversing an interface. This count is non-zero only on
        downstream direction rows."
    ::= { docsQosDynamicServiceStatsEntry 16 }

docsQosDCCRsps OBJECT-TYPE
    SYNTAX Counter32
    MAX-ACCESS read-only
    STATUS current
    DESCRIPTION
        " The number of Dynamic Channel Change Response messages
        traversing an interface. This count is only counted on upstream
        direction rows. This count should include number of retries. This
        includes all types of Dynamic Channel Change Response messages."
    ::= { docsQosDynamicServiceStatsEntry 17 }
```

```

docsQosDCCacks OBJECT-TYPE
    SYNTAX          Counter32
    MAX-ACCESS      read-only
    STATUS          current
    DESCRIPTION
        " The number of Dynamic Channel Change Acknowledgement
        messages traversing an interface. This count is non-zero only
        on downstream direction rows."
    ::= { docsQosDynamicServiceStatsEntry 18 }

docsQosDCCs OBJECT-TYPE
    SYNTAX          Counter32
    MAX-ACCESS      read-only
    STATUS          current
    DESCRIPTION
        " The number of successful Dynamic Channel Change
        transactions. This count is only counted on downstream direction
        rows.
        For CMTS the following rules apply:
        - If either the initialization technique 0 is utilized or a
          CM is moved to a different CMTS chassis, the DCCtransaction
          is successful when the DCC-RSP (depart) message is received
          from the CM.
        - In all the other cases, the DCC transaction is successful if
          either the DCC-RSP (arrive) message from the CM is received
          on the new channel or the presence of the CM on the new channel
          is internally confirmed.
        - The docsQosDCCs is incremented only on the DOCSIS MAC layer
          interface where the DCC was originated."
    REFERENCE "SP-RFIV2.0-I04-037030, Figures 11-59, 11-60, 11-61, 11-62"
    ::= { docsQosDynamicServiceStatsEntry 19 }

docsQosDCCFails OBJECT-TYPE
    SYNTAX          Counter32
    MAX-ACCESS      read-only
    STATUS          current
    DESCRIPTION
        "The number of failed Dynamic Channel Change
        transactions. This count is counted only on downstream direction
        rows.
        For CMTS, if the result of the Dynamic Channel Change is different
        from what is described in docsQosDCCs, the DCC transaction is a
        failure. The docsQosDCCFails is incremented only on the DOCSIS
        mac layer interface where the DCC was originated."
    REFERENCE "SP-RFIV2.0-I04-037030, Figures 11-59, 11-60, 11-61, 11-62"
    ::= { docsQosDynamicServiceStatsEntry 20 }

docsQosDCCRspDeparts OBJECT-TYPE
    SYNTAX          Counter32
    MAX-ACCESS      read-only
    STATUS          current
    DESCRIPTION
        "The number of Dynamic Channel Change Response (depart)
        messages traversing an interface. This count is only counted on
        upstream direction rows."
    REFERENCE "SP-RFIV2.0-I04-037030, Figures 11-59, 11-60, 11-61, 11-62"
    ::= { docsQosDynamicServiceStatsEntry 21 }

```

```

docsQosDCCRspArrives OBJECT-TYPE
    SYNTAX          Counter32
    MAX-ACCESS      read-only
    STATUS          current
    DESCRIPTION
        "The number of Dynamic Channel Change Response (arrive)
        messages traversing an interface. This count is only counted on
        upstream direction rows. This count should include number of retries."
    REFERENCE "SP-RFIV2.0-I04-037030, Figures 11-59, 11-60, 11-61, 11-62"
    ::= { docsQosDynamicServiceStatsEntry 22 }

--
-- Service Flow Log Table (CMTS ONLY)
--
docsQosServiceFlowLogTable OBJECT-TYPE
    SYNTAX          SEQUENCE OF DocsQosServiceFlowLogEntry
    MAX-ACCESS      not-accessible
    STATUS          current
    DESCRIPTION
        " This table contains a log of the disconnected
        Service Flows in a managed device."
    ::= { docsQosMIBObjects 7 }

docsQosServiceFlowLogEntry OBJECT-TYPE
    SYNTAX          DocsQosServiceFlowLogEntry
    MAX-ACCESS      not-accessible
    STATUS          current
    DESCRIPTION
        " The information regarding a single disconnected
        service flow."
    INDEX {
        docsQosServiceFlowLogIndex
    }
    ::= { docsQosServiceFlowLogTable 1 }

DocsQosServiceFlowLogEntry ::= SEQUENCE {
    docsQosServiceFlowLogIndex          Unsigned32,
    docsQosServiceFlowLogIfIndex        InterfaceIndex,
    docsQosServiceFlowLogSFID           Unsigned32,
    docsQosServiceFlowLogCmMac          MacAddress,
    docsQosServiceFlowLogPkts           Counter32,
    docsQosServiceFlowLogOctets         Counter32,
    docsQosServiceFlowLogTimeDeleted    TimeStamp,
    docsQosServiceFlowLogTimeCreated    TimeStamp,
    docsQosServiceFlowLogTimeActive     Counter32,
    docsQosServiceFlowLogDirection     IfDirection,
    docsQosServiceFlowLogPrimary         TruthValue,
    docsQosServiceFlowLogServiceClassName DisplayString,
    docsQosServiceFlowLogPolicedDropPkts Counter32,
    docsQosServiceFlowLogPolicedDelayPkts Counter32,
    docsQosServiceFlowLogControl        INTEGER
}

docsQosServiceFlowLogIndex OBJECT-TYPE
    SYNTAX          Unsigned32
    MAX-ACCESS      not-accessible
    STATUS          current
    DESCRIPTION
        " Unique index for a logged service flow."
    ::= { docsQosServiceFlowLogEntry 1 }

```

```
docsQosServiceFlowLogIfIndex OBJECT-TYPE
    SYNTAX      InterfaceIndex
    MAX-ACCESS  read-only
    STATUS      current
    DESCRIPTION
        " The ifIndex of ifType docsCableMacLayter(127)
        on the CMTS where the service flow was present."
    ::= { docsQosServiceFlowLogEntry 2 }

docsQosServiceFlowLogSFID OBJECT-TYPE
    SYNTAX      Unsigned32 (1..4294967295)
    MAX-ACCESS  read-only
    STATUS      current
    DESCRIPTION
        " The index assigned to the service flow by the CMTS."
    ::= { docsQosServiceFlowLogEntry 3 }

docsQosServiceFlowLogCmMac OBJECT-TYPE
    SYNTAX      MacAddress
    MAX-ACCESS  read-only
    STATUS      current
    DESCRIPTION
        " The MAC address for the cable modem associated with
        the service flow."
    ::= { docsQosServiceFlowLogEntry 4 }

docsQosServiceFlowLogPkts OBJECT-TYPE
    SYNTAX      Counter32
    MAX-ACCESS  read-only
    STATUS      current
    DESCRIPTION
        " The number of packets counted on this service flow
        after payload header suppression."
    ::= { docsQosServiceFlowLogEntry 5 }

docsQosServiceFlowLogOctets OBJECT-TYPE
    SYNTAX      Counter32
    MAX-ACCESS  read-only
    STATUS      current
    DESCRIPTION
        " The number of octets counted on this service flow
        after payload header suppression."
    ::= { docsQosServiceFlowLogEntry 6 }

docsQosServiceFlowLogTimeDeleted OBJECT-TYPE
    SYNTAX      TimeStamp
    MAX-ACCESS  read-only
    STATUS      current
    DESCRIPTION
        " The value of sysUpTime when the service flow
        was deleted."
    ::= { docsQosServiceFlowLogEntry 7 }

docsQosServiceFlowLogTimeCreated OBJECT-TYPE
    SYNTAX      TimeStamp
    MAX-ACCESS  read-only
    STATUS      current
    DESCRIPTION
        " The value of sysUpTime when the service flow
        was created."
    ::= { docsQosServiceFlowLogEntry 8 }
```

```
docsQosServiceFlowLogTimeActive OBJECT-TYPE
    SYNTAX          Counter32
    UNITS           "seconds"
    MAX-ACCESS      read-only
    STATUS          current
    DESCRIPTION
        " The total time that service flow was active."
    ::= { docsQosServiceFlowLogEntry 9 }

-- docsQosServiceFlowLogControl was formerly { docsQosServiceFlowLogEntry 10}

-- and was renumbered in version -04.
docsQosServiceFlowLogDirection OBJECT-TYPE
    SYNTAX          IfDirection
    MAX-ACCESS      read-only
    STATUS          current
    DESCRIPTION
        " The value of docsQosServiceFlowDirection
        for the service flow."
    ::= { docsQosServiceFlowLogEntry 11}

docsQosServiceFlowLogPrimary OBJECT-TYPE
    SYNTAX          TruthValue
    MAX-ACCESS      read-only
    STATUS          current
    DESCRIPTION
        " The value of docsQosServiceFlowPrimary for the
        service flow."
    ::= { docsQosServiceFlowLogEntry 12}

docsQosServiceFlowLogServiceClassName OBJECT-TYPE
    SYNTAX          DisplayString
    MAX-ACCESS      read-only
    STATUS          current
    DESCRIPTION
        " The value of docsQosParamSetServiceClassName for
        the provisioned QOS Parameter Set of the
        service flow."
    ::= { docsQosServiceFlowLogEntry 13}

docsQosServiceFlowLogPolicedDropPkts OBJECT-TYPE
    SYNTAX          Counter32
    MAX-ACCESS      read-only
    STATUS          current
    DESCRIPTION
        " The final value of docsQosServiceFlowPolicedDropPkts
        for the service flow."
    ::= { docsQosServiceFlowLogEntry 14}

docsQosServiceFlowLogPolicedDelayPkts OBJECT-TYPE
    SYNTAX          Counter32
    MAX-ACCESS      read-only
    STATUS          current
    DESCRIPTION
        " The final value of docsQosServiceFlowPolicedDelayPkts
        for the service flow."
    ::= { docsQosServiceFlowLogEntry 15}
```

```

docsQosServiceFlowLogControl OBJECT-TYPE
    SYNTAX          INTEGER {
        active(1),
        destroy(6)
    }

    MAX-ACCESS      read-write
    STATUS          current
    DESCRIPTION
        " Setting this object to the value destroy(6) removes
          this entry from the table.
          Reading this object return the value active(1). "
    ::= { docsQosServiceFlowLogEntry 16 }

--
-- Service Class Table (CMTS ONLY)
--
docsQosServiceClassTable OBJECT-TYPE
    SYNTAX          SEQUENCE OF DocsQosServiceClassEntry
    MAX-ACCESS      not-accessible
    STATUS          current
    DESCRIPTION
        " This table describes the set of Docsis-QOS
          Service Classes in a CMTS. "
    ::= { docsQosMIBObjects 8 }

docsQosServiceClassEntry OBJECT-TYPE
    SYNTAX          DocsQosServiceClassEntry
    MAX-ACCESS      not-accessible
    STATUS          current
    DESCRIPTION
        " A provisioned service class on a CMTS.
          Each entry defines a template for certain
          DOCSIS QOS Parameter Set values. When a CM
          creates or modifies an Admitted QOS Parameter Set for a
          Service Flow, it may reference a Service Class
          Name instead of providing explicit QOS Parameter
          Set values. In this case, the CMTS populates
          the QOS Parameter Set with the applicable
          corresponding values from the named Service Class.
          Subsequent changes to a Service Class row do *not*
          affect the QOS Parameter Set values of any service flows
          already admitted.
          A service class template applies to only
          a single direction, as indicated in the
          docsQosServiceClassDirection object.
          "
    INDEX {
        docsQosServiceClassName
    }

    ::= { docsQosServiceClassTable 1 }

DocsQosServiceClassEntry ::= SEQUENCE {
    docsQosServiceClassName          DisplayString,
    docsQosServiceClassStatus        RowStatus,
    docsQosServiceClassPriority       Integer32,
    docsQosServiceClassMaxTrafficRate BitRate,
    docsQosServiceClassMaxTrafficBurst Unsigned32,
    docsQosServiceClassMinReservedRate BitRate,
    docsQosServiceClassMinReservedPkt Integer32,
    docsQosServiceClassMaxConcatBurst Integer32,
    docsQosServiceClassNomPollInterval Unsigned32,
    docsQosServiceClassTolPollJitter  Unsigned32,
    docsQosServiceClassUnsolicitGrantSize Integer32,

```

```

docsQosServiceClassNomGrantInterval Unsigned32,
docsQosServiceClassTolGrantJitter Unsigned32,
docsQosServiceClassGrantsPerInterval Integer32,
docsQosServiceClassMaxLatency Unsigned32,
docsQosServiceClassActiveTimeout Integer32,
docsQosServiceClassAdmittedTimeout Integer32,
docsQosServiceClassSchedulingType SchedulingType,
docsQosServiceClassRequestPolicy OCTET STRING,
docsQosServiceClassTosAndMask OCTET STRING,
docsQosServiceClassTosOrMask OCTET STRING,
docsQosServiceClassDirection IfDirection
}

docsQosServiceClassName OBJECT-TYPE
SYNTAX DisplayString (SIZE(1..15))
MAX-ACCESS not-accessible
STATUS current
DESCRIPTION
    "Service Class Name. DOCSIS specifies that the
    maximum size is 15 printable ASCII characters with
    a terminating zero. The terminating zero is not
    represented in this DisplayString syntax object.
    "
REFERENCE "SP-RFIV1.1-I05-000714, Appendix C.2.2.3.4"
 ::= { docsQosServiceClassEntry 1 }

-- docsQosServiceClassParamSetIndex { docsQosServiceClassEntry 2 }

-- was removed in revision -03
docsQosServiceClassStatus OBJECT-TYPE
SYNTAX RowStatus
MAX-ACCESS read-create
STATUS current
DESCRIPTION
    " Used to create or delete rows in this table."
 ::= { docsQosServiceClassEntry 3 }

docsQosServiceClassPriority OBJECT-TYPE
SYNTAX Integer32 (0..7)
MAX-ACCESS read-create
STATUS current
DESCRIPTION
    " Template for docsQosParamSetPriority."
DEFVAL { 0 }

 ::= { docsQosServiceClassEntry 4 }

docsQosServiceClassMaxTrafficRate OBJECT-TYPE
SYNTAX BitRate
MAX-ACCESS read-create
STATUS current
DESCRIPTION
    " Template for docsQosParamSetMaxTrafficRate."
DEFVAL { 0 }

 ::= { docsQosServiceClassEntry 5 }

docsQosServiceClassMaxTrafficBurst OBJECT-TYPE
SYNTAX Unsigned32
MAX-ACCESS read-create
STATUS current
DESCRIPTION
    " Template for docsQosParamSetMaxTrafficBurst."
DEFVAL { 3044 }

```

```

 ::= { docsQosServiceClassEntry 6 }

docsQosServiceClassMinReservedRate OBJECT-TYPE
    SYNTAX      BitRate
    MAX-ACCESS   read-create
    STATUS       current
    DESCRIPTION  " Template for docsQosParamSetMinReservedRate."
    DEFVAL      { 0 }

 ::= { docsQosServiceClassEntry 7 }

docsQosServiceClassMinReservedPkt OBJECT-TYPE
    SYNTAX      Integer32 (0..65535)
    MAX-ACCESS   read-create
    STATUS       current
    DESCRIPTION  " Template for docsQosParamSetMinReservedPkt."
    DEFVAL      { 0 }

 ::= { docsQosServiceClassEntry 8 }

docsQosServiceClassMaxConcatBurst OBJECT-TYPE
    SYNTAX      Integer32 (0..65535)
    MAX-ACCESS   read-create
    STATUS       current
    DESCRIPTION  " Template for docsQosParamSetMaxConcatBurst."
    DEFVAL      { 1522 }

 ::= { docsQosServiceClassEntry 9 }

docsQosServiceClassNomPollInterval OBJECT-TYPE
    SYNTAX      Unsigned32
    UNITS        "microseconds"
    MAX-ACCESS   read-create
    STATUS       current
    DESCRIPTION  " Template for docsQosParamSetNomPollInterval."
    DEFVAL      { 0 }

 ::= { docsQosServiceClassEntry 10 }

docsQosServiceClassTolPollJitter OBJECT-TYPE
    SYNTAX      Unsigned32
    UNITS        "microseconds"
    MAX-ACCESS   read-create
    STATUS       current
    DESCRIPTION  " Template for docsQosParamSetTolPollJitter."
    DEFVAL      { 0 }

 ::= { docsQosServiceClassEntry 11 }

docsQosServiceClassUnsolicitGrantSize OBJECT-TYPE
    SYNTAX      Integer32 (0..65535)
    MAX-ACCESS   read-create
    STATUS       current
    DESCRIPTION  " Template for docsQosParamSetUnsolicitGrantSize."
    DEFVAL      { 0 }

 ::= { docsQosServiceClassEntry 12 }

```

```

docsQosServiceClassNomGrantInterval OBJECT-TYPE
    SYNTAX      Unsigned32
    UNITS       "microseconds"
    MAX-ACCESS  read-create
    STATUS      current
    DESCRIPTION
        " Template for docsQosParamSetNomGrantInterval."
    DEFVAL     { 0 }

    ::= { docsQosServiceClassEntry 13 }

docsQosServiceClassTolGrantJitter OBJECT-TYPE
    SYNTAX      Unsigned32
    UNITS       "microseconds"
    MAX-ACCESS  read-create
    STATUS      current
    DESCRIPTION
        " Template for docsQosParamSetTolGrantJitter."
    DEFVAL     { 0 }

    ::= { docsQosServiceClassEntry 14 }

docsQosServiceClassGrantsPerInterval OBJECT-TYPE
    SYNTAX      Integer32 (0..127)
    MAX-ACCESS  read-create
    STATUS      current
    DESCRIPTION
        " Template for docsQosParamSetGrantsPerInterval."
    DEFVAL     { 0 }

    ::= { docsQosServiceClassEntry 15 }

docsQosServiceClassMaxLatency OBJECT-TYPE
    SYNTAX      Unsigned32
    UNITS       "microseconds"
    MAX-ACCESS  read-create
    STATUS      current
    DESCRIPTION
        " Template for docsQosParamSetClassMaxLatency."
    REFERENCE  "SP-RFIV1.1-I05-000714, Appendix C.2.2.7.1"
    DEFVAL     { 0 }

    ::= { docsQosServiceClassEntry 16 }

docsQosServiceClassActiveTimeout OBJECT-TYPE
    SYNTAX      Integer32 (0..65535)
    UNITS       "seconds"
    MAX-ACCESS  read-create
    STATUS      current
    DESCRIPTION
        " Template for docsQosServiceFlowActiveTimeout."
    DEFVAL     { 0 }

    ::= { docsQosServiceClassEntry 17 }

docsQosServiceClassAdmittedTimeout OBJECT-TYPE
    SYNTAX      Integer32 (0..65535)
    UNITS       "seconds"
    MAX-ACCESS  read-create
    STATUS      current
    DESCRIPTION
        " Template for docsQosServiceFlowAdmittedTimeout."
    DEFVAL     { 200 }

    ::= { docsQosServiceClassEntry 18 }

```

```

docsQosServiceClassSchedulingType OBJECT-TYPE
    SYNTAX          SchedulingType
    MAX-ACCESS      read-create
    STATUS          current
    DESCRIPTION
        " Template for docsQosServiceFlowSchedulingType."
    DEFVAL          { bestEffort }

    ::= { docsQosServiceClassEntry 19 }

docsQosServiceClassRequestPolicy OBJECT-TYPE
    SYNTAX          OCTET STRING (SIZE(4))
    MAX-ACCESS      read-create
    STATUS          current
    DESCRIPTION
        " Template for docsQosServiceFlowRequestPolicy."
    DEFVAL          { '00000000'H } -- no bits are set
    ::= { docsQosServiceClassEntry 20 }

docsQosServiceClassTosAndMask OBJECT-TYPE
    SYNTAX          OCTET STRING (SIZE(1))
    MAX-ACCESS      read-create
    STATUS          current
    DESCRIPTION
        " Template for docsQosServiceFlowTosAndMask."
    DEFVAL          { 'FF'H }

    ::= { docsQosServiceClassEntry 21 }

docsQosServiceClassTosOrMask OBJECT-TYPE
    SYNTAX          OCTET STRING (SIZE(1))
    MAX-ACCESS      read-create
    STATUS          current
    DESCRIPTION
        " Template for docsQosServiceFlowTosOrMask."
    DEFVAL          { '00'H }

    ::= { docsQosServiceClassEntry 22 }

docsQosServiceClassDirection OBJECT-TYPE
    SYNTAX          IfDirection
    MAX-ACCESS      read-create
    STATUS          current
    DESCRIPTION
        " Specifies whether the service class template
          applies to upstream or downstream service flows."
    DEFVAL          { upstream }

    ::= { docsQosServiceClassEntry 23 }

--
-- Service Class PolicyTable
--
docsQosServiceClassPolicyTable OBJECT-TYPE
    SYNTAX          SEQUENCE OF DocsQosServiceClassPolicyEntry
    MAX-ACCESS      not-accessible
    STATUS          current
    DESCRIPTION
        " This table describes the set of Docsis-QoS
          Service Class Policies.
          This table is an adjunct to the
          docsDevFilterPolicy table. Entries in
          docsDevFilterPolicy table can point to
          specific rows in this table."

```

This table permits mapping a packet to a service class name of an active service flow so long as a classifier does not exist at a higher priority.

```

"
REFERENCE      "SP-RFIV1.1-I05-000714, Appendix E.2.1"
::= { docsQosMIBObjects 9 }

docsQosServiceClassPolicyEntry OBJECT-TYPE
SYNTAX          DocsQosServiceClassPolicyEntry
MAX-ACCESS      not-accessible
STATUS          current
DESCRIPTION     " A service class name policy entry."
INDEX           {
                docsQosServiceClassPolicyIndex
                }

::= { docsQosServiceClassPolicyTable 1 }

DocsQosServiceClassPolicyEntry ::= SEQUENCE {
docsQosServiceClassPolicyIndex      Integer32,
docsQosServiceClassPolicyName       DisplayString,
docsQosServiceClassPolicyRulePriority Integer32,
docsQosServiceClassPolicyStatus     RowStatus
}

docsQosServiceClassPolicyIndex OBJECT-TYPE
SYNTAX          Integer32 (1..2147483647)
MAX-ACCESS      not-accessible
STATUS          current
DESCRIPTION     " Index value to uniquely identify an entry in
                this table."
::= { docsQosServiceClassPolicyEntry 1 }

docsQosServiceClassPolicyName OBJECT-TYPE
SYNTAX          DisplayString
MAX-ACCESS      read-create
STATUS          current
DESCRIPTION     " Service Class Name to identify the name of the
                service class flow to which the packet should be
                directed."
REFERENCE      "SP-RFIV1.1-I05-000714, Appendix E.2.1"
::= { docsQosServiceClassPolicyEntry 2 }

docsQosServiceClassPolicyRulePriority OBJECT-TYPE
SYNTAX          Integer32 (0..255)
MAX-ACCESS      read-create
STATUS          current
DESCRIPTION     " Service Class Policy rule priority for the
                entry."
REFERENCE      "SP-RFIV1.1-I05-000714, Appendix C.2.1.3.5"
::= { docsQosServiceClassPolicyEntry 3 }

docsQosServiceClassPolicyStatus OBJECT-TYPE
SYNTAX          RowStatus
MAX-ACCESS      read-create
STATUS          current
DESCRIPTION     " Used to create or delete rows in this table.
                This object should not be deleted if it is
                reference by an entry in docsDevFilterPolicy.

```

```

    The reference should be deleted first."
    ::= { docsQosServiceClassPolicyEntry 4 }

--
-- Payload Header Suppression (PHS) Table
--
docsQosPHSTable OBJECT-TYPE
    SYNTAX          SEQUENCE OF DocsQosPHSEntry
    MAX-ACCESS      not-accessible
    STATUS          current
    DESCRIPTION
        " This table describes set of payload header
        suppression entries."
    ::= { docsQosMIBObjects 10 }

docsQosPHSEntry OBJECT-TYPE
    SYNTAX          DocsQosPHSEntry
    MAX-ACCESS      not-accessible
    STATUS          current
    DESCRIPTION
        " A payload header suppression entry.
        The ifIndex is an ifType of docsCableMaclayer(127).
        The index docsQosServiceFlowId selects one
        service flow from the cable MAC layer interface.
        The docsQosPktClassId index matches an
        index of the docsQosPktClassTable.
        "
    INDEX {
        ifIndex,
        docsQosServiceFlowId,
        docsQosPktClassId
    }

    ::= { docsQosPHSTable 1 }

DocsQosPHSEntry ::= SEQUENCE {
    docsQosPHSField      OCTET STRING,
    docsQosPHSMask       OCTET STRING,
    docsQosPHSSize       Integer32,
    docsQosPHSVerify     TruthValue,
    docsQosPHSIndex      Integer32
}

-- The object docsQosPHSIndex used as an index {docsQosPHSEntry 1}

-- was changed to be a non-index column in revision -03.
docsQosPHSField OBJECT-TYPE
    SYNTAX          OCTET STRING (SIZE(0..255))
    MAX-ACCESS      read-only
    STATUS          current
    DESCRIPTION
        " Payload header suppression field defines the
        bytes of the header which must be
        suppressed/restored by the sending/receiving
        device.
        The number of octets in this object should be
        the same as the value of docsQosPHSSize."
    REFERENCE       "SP-RFIV1.1-I05-000714, Appendix C.2.2.10.1"
    ::= { docsQosPHSEntry 2 }

```

```

docsQosPHSMask          OBJECT-TYPE
    SYNTAX               OCTET STRING(SIZE(0..32))
    MAX-ACCESS           read-only
    STATUS                current
    DESCRIPTION
        " Payload header suppression mask defines the
        bit mask which, used in combination with the
        docsQosPHSField, defines which bytes in header
        must be suppressed/restored by the sending or
        receiving device.
        Each bit of this bit mask corresponds to a byte
        in the docsQosPHSField, with the least
        significant bit corresponding to first byte of
        the docsQosPHSField.
        Each bit of the bit mask specifies whether or
        not the corresponding byte should be suppressed
        in the packet. A bit value of '1' indicates that
        the byte should be suppressed by the sending
        device and restored by the receiving device.
        A bit value of '0' indicates that
        the byte should not be suppressed by the sending
        device or restored by the receiving device.
        If the bit mask does not contain a bit for each
        byte in the docsQosPHSField, then the bit mask is
        extended with bit values of '1' to be the
        necessary length."
    REFERENCE            "SP-RFIV1.1-I05-000714, Appendix C.2.2.10.3"
    ::= { docsQosPHSEntry 3 }

docsQosPHSSize          OBJECT-TYPE
    SYNTAX               Integer32 (0..255)
    MAX-ACCESS           read-only
    STATUS                current
    DESCRIPTION
        "Payload header suppression size specifies the
        number of bytes in the header to be suppressed
        and restored.
        The value of this object must match the number
        of bytes in the docsQosPHSField."
    REFERENCE            "SP-RFIV1.1-I05-000714, Appendix C.2.2.10.4"
    ::= { docsQosPHSEntry 4 }

docsQosPHSVerify        OBJECT-TYPE
    SYNTAX               TruthValue
    MAX-ACCESS           read-only
    STATUS                current
    DESCRIPTION
        "Payload header suppression verification value of
        'true' the sender must verify docsQosPHSField
        is the same as what is contained in the packet
        to be suppressed."
    REFERENCE            "SP-RFIV1.1-I05-000714, Appendix C.2.2.10.5"
    ::= { docsQosPHSEntry 5 }

-- Removed dosQosPHSClassifierIndex {docsQosPHSEntry 6}

-- in revision -03.
docsQosPHSIndex          OBJECT-TYPE
    SYNTAX               Integer32 (1..255)
    MAX-ACCESS           read-only
    STATUS                current
    DESCRIPTION
        "Payload header suppression index uniquely
        references the PHS rule for a given service flow."
    REFERENCE            "SP-RFIV1.1-I05-000714, Appendix C.2.2.10.2"

```

```

 ::= { docsQosPHSEntry 7 }

--
-- docsQosCmtsMacToSrvFlowTable (CMTS Only)
--
docsQosCmtsMacToSrvFlowTable OBJECT-TYPE
    SYNTAX      SEQUENCE OF DocsQosCmtsMacToSrvFlowEntry
    MAX-ACCESS  not-accessible
    STATUS      current
    DESCRIPTION
        " This table provide for referencing the service flows
          associated with a particular cable modem. This allows
          for indexing into other docsQos tables that are
          indexed by docsQosServiceFlowId and ifIndex."
    ::= { docsQosMIBObjects 11 }

docsQosCmtsMacToSrvFlowEntry OBJECT-TYPE
    SYNTAX      DocsQosCmtsMacToSrvFlowEntry
    MAX-ACCESS  not-accessible
    STATUS      current
    DESCRIPTION
        " An entry is created by CMTS for each service flow
          connected to this CMTS."
    INDEX {
        docsQosCmtsCmMac,
        docsQosCmtsServiceFlowId
    }
    ::= { docsQosCmtsMacToSrvFlowTable 1 }

DocsQosCmtsMacToSrvFlowEntry ::= SEQUENCE {
    docsQosCmtsCmMac      MacAddress,
    docsQosCmtsServiceFlowId  Unsigned32,
    docsQosCmtsIfIndex    InterfaceIndex
}

docsQosCmtsCmMac OBJECT-TYPE
    SYNTAX      MacAddress
    MAX-ACCESS  not-accessible
    STATUS      current
    DESCRIPTION
        " The MAC address for the referenced CM."
    ::= { docsQosCmtsMacToSrvFlowEntry 1 }

docsQosCmtsServiceFlowId OBJECT-TYPE
    SYNTAX      Unsigned32 (1..4294967295)
    MAX-ACCESS  not-accessible
    STATUS      current
    DESCRIPTION
        " An index assigned to a service flow by CMTS."
    ::= { docsQosCmtsMacToSrvFlowEntry 2 }

docsQosCmtsIfIndex OBJECT-TYPE
    SYNTAX      InterfaceIndex
    MAX-ACCESS  read-only
    STATUS      current
    DESCRIPTION
        " The ifIndex of ifType docsCableMacLayter(127)
          on the CMTS that is connected to the Cable Modem."
    ::= { docsQosCmtsMacToSrvFlowEntry 3 }

--
-- Place holder for notifications/traps.
--

```

```

docsQosNotification OBJECT IDENTIFIER ::= { docsQosMIB 2 }

--
-- Conformance definitions
--
docsQosConformance OBJECT IDENTIFIER ::= { docsQosMIB 3 }

docsQosGroups OBJECT IDENTIFIER ::= { docsQosConformance 1 }

docsQosCompliances OBJECT IDENTIFIER ::= { docsQosConformance 2 }

docsQosCompliance MODULE-COMPLIANCE
  STATUS current
  DESCRIPTION
    "The compliance statement for MCNS Cable Modems and
    Cable Modem Termination Systems that implement DOCSIS
    Service Flows."
  MODULE -- docsQosMIB
  MANDATORY-GROUPS { docsQosBaseGroup }

  GROUP docsQosCmtsGroup
  DESCRIPTION
    "This group is mandatory for only Cable Modem Termination
    Systems (CMTS) and not implemented for Cable Modems."
  GROUP docsQosParamSetGroup
  DESCRIPTION
    "This group is mandatory for Cable Modem Termination
    Systems (CMTS) and Cable Modems. Cable modems only implement
    objects in this group as read-only."
  GROUP docsQosSrvClassPolicyGroup
  DESCRIPTION
    "This group is optional for Cable Modem Termination
    Systems (CMTS) and Cable Modems. This group only needs to
    be implemented if policy based service flow classification
    is implemented. See docsDevPolicyTable in
    DOCS-CABLE-DEVICE-MIB for more details. "
  GROUP docsQosServiceClassGroup
  DESCRIPTION
    "The docsQosServiceClassTable group of objects. "
  OBJECT docsQosPktClassPkts
  DESCRIPTION
    "This object only needs to be implemented in entries
    that are classifying packets and not policing packets."
  ::= { docsQosCompliances 1 }

docsQosBaseGroup OBJECT-GROUP
  OBJECTS {
    docsQosPktClassDirection,
    docsQosPktClassPriority,
    docsQosPktClassIpTosLow,
    docsQosPktClassIpTosHigh,
    docsQosPktClassIpTosMask,
    docsQosPktClassIpProtocol,
    docsQosPktClassIpSourceAddr,
    docsQosPktClassIpSourceMask,
    docsQosPktClassIpDestAddr,
    docsQosPktClassIpDestMask,
    docsQosPktClassSourcePortStart,
    docsQosPktClassSourcePortEnd,
    docsQosPktClassDestPortStart,
    docsQosPktClassDestPortEnd,
    docsQosPktClassDestMacAddr,
    docsQosPktClassDestMacMask,
    docsQosPktClassSourceMacAddr,
    docsQosPktClassEnetProtocolType,
  }

```

```

docsQosPktClassEnetProtocol,
docsQosPktClassUserPriLow,
docsQosPktClassUserPriHigh,
docsQosPktClassVlanId,
docsQosPktClassState,
docsQosPktClassPkts,
docsQosPktClassBitMap,
docsQosServiceFlowSID,
docsQosServiceFlowDirection,
docsQosServiceFlowPrimary,
docsQosServiceFlowPkts,    -- not sure if CM should implement
docsQosServiceFlowOctets,
docsQosServiceFlowTimeCreated,
docsQosServiceFlowTimeActive,
docsQosServiceFlowPHSUnknowns,
docsQosServiceFlowPolicedDropPkts,
docsQosServiceFlowPolicedDelayPkts,
docsQosDSAReqs,
docsQosDSARsps,
docsQosDSAAcks,
docsQosDSCReq,
docsQosDSCRsps,
docsQosDSCAcks,
docsQosDSDReq,
docsQosDSDRsps,
docsQosDynamicAdds,
docsQosDynamicAddFails,
docsQosDynamicChanges,
docsQosDynamicChangeFails,
docsQosDynamicDeletes,
docsQosDynamicDeleteFails,
docsQosDCCRreqs,
docsQosDCCRsps,
docsQosDCCAcks,
docsQosDCCs,
docsQosDCCFails,
docsQosDCCRspDeparts,
docsQosDCCRspArrives,
docsQosPHSField,
docsQosPHSMask,
docsQosPHSSize,
docsQosPHSVerify,
docsQosPHSIndex
}

```

STATUS current

DESCRIPTION

"Group of objects implemented in both Cable Modems and  
Cable Modem Termination Systems."

::= { docsQosGroups 1 }

docsQosParamSetGroup OBJECT-GROUP

OBJECTS {

```

docsQosParamSetServiceClassName,
docsQosParamSetPriority,
docsQosParamSetMaxTrafficRate,
docsQosParamSetMaxTrafficBurst,
docsQosParamSetMinReservedRate,
docsQosParamSetMinReservedPkt,
docsQosParamSetActiveTimeout,
docsQosParamSetAdmittedTimeout,
docsQosParamSetMaxConcatBurst,
docsQosParamSetSchedulingType,
docsQosParamSetNomPollInterval,
docsQosParamSetTolPollJitter,

```

```

docsQosParamSetUnsolicitGrantSize,
docsQosParamSetNomGrantInterval,
docsQosParamSetTolGrantJitter,
docsQosParamSetGrantsPerInterval,
docsQosParamSetTosAndMask,
docsQosParamSetTosOrMask,
docsQosParamSetMaxLatency,
docsQosParamSetRequestPolicyOct,
docsQosParamSetBitMap
}

STATUS current
DESCRIPTION
    "Group of objects implemented in both Cable Modems and
    Cable Modem Termination Systems for QOS parameter sets."
::= { docsQosGroups 2 }

docsQosCmtsGroup OBJECT-GROUP
OBJECTS {
docsQosUpstreamFragments,
docsQosUpstreamFragDiscards,
docsQosUpstreamConcatBursts,
docsQosServiceFlowLogIfIndex,
docsQosServiceFlowLogSFID,
docsQosServiceFlowLogCmMac,
docsQosServiceFlowLogPkts,
docsQosServiceFlowLogOctets,
docsQosServiceFlowLogTimeDeleted,
docsQosServiceFlowLogTimeCreated,
docsQosServiceFlowLogTimeActive,
docsQosServiceFlowLogDirection,
docsQosServiceFlowLogPrimary,
docsQosServiceFlowLogServiceClassName,
docsQosServiceFlowLogPolicedDropPkts,
docsQosServiceFlowLogPolicedDelayPkts,
docsQosServiceFlowLogControl,
docsQosCmtsIfIndex          -- docsQosCmtsMacToSrvFlowTable required
}

STATUS current
DESCRIPTION
    "Mandatory group of objects implemented only in the CMTS."
::= { docsQosGroups 3 }

docsQosSrvClassPolicyGroup OBJECT-GROUP
OBJECTS {
docsQosServiceClassPolicyName,
docsQosServiceClassPolicyRulePriority,
docsQosServiceClassPolicyStatus
}

STATUS current
DESCRIPTION
    "Group of objects implemented in both Cable Modems and
    Cable Modem Termination Systems when supporting policy based
    service flows."
::= { docsQosGroups 4 }

docsQosServiceClassGroup OBJECT-GROUP
OBJECTS {
docsQosServiceClassStatus,
docsQosServiceClassPriority,
docsQosServiceClassMaxTrafficRate,
docsQosServiceClassMaxTrafficBurst,
docsQosServiceClassMinReservedRate,

```

```
docsQosServiceClassMinReservedPkt,  
docsQosServiceClassMaxConcatBurst,  
docsQosServiceClassNomPollInterval,  
docsQosServiceClassTolPollJitter,  
docsQosServiceClassUnsolicitGrantSize,  
docsQosServiceClassNomGrantInterval,  
docsQosServiceClassTolGrantJitter,  
docsQosServiceClassGrantsPerInterval,  
docsQosServiceClassMaxLatency,  
docsQosServiceClassActiveTimeout,  
docsQosServiceClassAdmittedTimeout,  
docsQosServiceClassSchedulingType,  
docsQosServiceClassRequestPolicy,  
docsQosServiceClassTosAndMask,  
docsQosServiceClassTosOrMask,  
docsQosServiceClassDirection  
}
```

STATUS current

DESCRIPTION

"The docsQosServiceClassTable objects. If a CMTS implements expansion of Service Class Names in a QOS Parameter Set, this group is mandatory on the CMTS. If the CMTS does not support Service Class Names, this group may not be implemented in the CMTS. This group is not implemented on the CM.

"  
 ::= { docsQosGroups 5 }

## Annex K Requirements for DOCS-IFEXT2-MIB (mandatory)<sup>1</sup>

```
DOCS-IFEXT2-MIB DEFINITIONS ::= BEGIN
IMPORTS
    MODULE-IDENTITY,
    OBJECT-TYPE,
    Unsigned32,
    Gauge32
        FROM SNMPv2-SMI
    TruthValue
        FROM SNMPv2-TC
    OBJECT-GROUP,
    MODULE-COMPLIANCE
        FROM SNMPv2-CONF
    ifIndex
        FROM IF-MIB
    docsIfCmtsCmStatusIndex,
    TenthdBmV,
    TenthdB
        FROM DOCS-IF-MIB
    clabProjDocsis
        FROM CLAB-DEF-MIB;

docsIfExt2Mib MODULE-IDENTITY
    LAST-UPDATED      "200411101700Z" -- November 10, 2004
    ORGANIZATION      "Cable Television Laboratories, Inc"
    CONTACT-INFO
        "
            Postal: Cable Television Laboratories, Inc.
            400 Centennial Parkway
            Louisville, Colorado 80027-1266
            U.S.A.
            Phone: +1 303-661-9100
            Fax: +1 303-661-9199
            E-mail: mibs@cablelabs.com"
    DESCRIPTION
        "This MIB module contains the management objects that enhance
        DOCSIS 2.0 feature set.
        It includes SCDMA capability of limiting the number of codes
        assigned to a CM over the total active codes, referred as
        Maximum Scheduled Codes (MSC)."
    REVISION "200406231700Z"
    DESCRIPTION
        "Initial version of this MIB module."
    REVISION "200411101700Z"
    DESCRIPTION
        "Re-rooted to clabProjDocsis.5"
 ::= { clabProjDocsis 5 }

-----
-- Textual Conventions
-- -----

-----
-- Main Groups
-- -----

docsIfExt2Notifications OBJECT IDENTIFIER ::= { docsIfExt2Mib 0}
```

<sup>1</sup>. Added Annex K per ECN OSSIV2.0-N-04.0166-3 by GO on 10/15/04; Revised Annex K per ECN OSSIV2.0-N-04.0195-1 by GO on 11/29/04.

```
docsIfExt2MibObjects    OBJECT IDENTIFIER ::= { docsIfExt2Mib 1 }
docsIfExt2BaseObjects  OBJECT IDENTIFIER ::= { docsIfExt2MibObjects 1 }
docsIfExt2CmObjects    OBJECT IDENTIFIER ::= { docsIfExt2MibObjects 2 }
docsIfExt2CmtsObjects  OBJECT IDENTIFIER ::= { docsIfExt2MibObjects 3 }
```

```
-----
-- Base Group Objects
-- Applicable to both CM and CMTS
-----
```

```
-----
-- CM Group Objects
-----
```

```
-----
-- CM Maximum Scheduled Codes
-- docsIfExt2CmMscStatusTable extends docsIfCmStatusTable
-----
```

```
docsIfExt2CmMscStatusTable OBJECT-TYPE
    SYNTAX      SEQUENCE OF DocsIfExt2CmMscStatusEntry
    MAX-ACCESS  not-accessible
    STATUS      current
    DESCRIPTION
        "This table extends the docsIfCmStatusTable to report
         the CM MSC status."
    ::= { docsIfExt2CmObjects 1 }
```

```
docsIfExt2CmMscStatusEntry OBJECT-TYPE
    SYNTAX      DocsIfExt2CmMscStatusEntry
    MAX-ACCESS  not-accessible
    STATUS      current
    DESCRIPTION
        "As an extension of docsIdCmStatusTable this table has
         entries for each ifEntry with an ifType of
         docsCableMaclayer(127)
         This entry is instantiated by the CM only if the
         CM is currently in SCDDMA mode."
    INDEX { ifIndex }
    ::= { docsIfExt2CmMscStatusTable 1 }
```

```
DocsIfExt2CmMscStatusEntry ::= SEQUENCE
{
    docsIfExt2CmMscStatusState          INTEGER,

    docsIfExt2CmMscStatusPowerShortfall    TenthdB,
    docsIfExt2CmMscStatusCodeRatio        Unsigned32,
    docsIfExt2CmMscStatusMaximumScheduledCodes    Unsigned32,
    docsIfExt2CmMscStatusPowerHeadroom    TenthdB,
    docsIfExt2CmMscStatusEffectivePower    TenthdBmV,
    docsIfExt2CmMscStatusIUC2Control      INTEGER
}
```

```
docsIfExt2CmMscStatusState OBJECT-TYPE1
```

```
SYNTAX      INTEGER {
    channelEnabled(1),
    channelDisabled(2),
    active(3),
    inactive(4),
}
```

---

<sup>1</sup>. Revised this statement per ECN OSSiv2.0-N-04.0204-2 by GO on 2/21/05.

```

        unknown(5)
    }
MAX-ACCESS read-only
STATUS current
DESCRIPTION
    "Indicates the current state of the Maximum Scheduled Codes
    feature on the CM.

    channelEnabled(1) S-CDMA Maximum Scheduled Codes
        is enabled in the UCD TLV-17.

    channelDisabled(2) S-CDMA Maximum Scheduled Codes
        is disabled in the UCD TLV-17 or a UCD has been
        received that does not contain that TLV.

    active(3) The CM has received a Ranging Response that
        contains a non-zero TLV-10
        and therefore has MSC activated. This state
        overrides the channelEnabled(1) state.

    inactive(4) The CM has received a Ranging Response that
        does not contain TLV-10 or has it
        set to 0. This state overrides the
        channelEnabled(1) state.

    unknown(5) CM has not yet received a UCD to determine
        if MSC is enabled or disabled on that channel."
DEFVAL { unknown }
::= { docsIfExt2CmMscStatusEntry 1 }

docsIfExt2CmMscStatusPowerShortfall OBJECT-TYPE
SYNTAX TenthdB
UNITS "TenthdB"
MAX-ACCESS read-only
STATUS current
DESCRIPTION
    "Indicates the Power Shortfall at the CM, in units of
    tenth dB.
    The value is provided by the CM and is sent in the RNG-REQ
    message. It is internally calculated in units of quarter
    dB and is rounded upward for this MIB object to the nearest
    tenth dB. A value of zero indicates that the CM has no power
    shortfall."
REFERENCE
    "Data-Over-Cable Service Interface Specifications: Radio
    Frequency Interface Specification Section 8.3.5"
DEFVAL { 0 }
::= { docsIfExt2CmMscStatusEntry 2 }

docsIfExt2CmMscStatusCodeRatio OBJECT-TYPE
SYNTAX Unsigned32 ( 2 | 8 | 16 | 32)
MAX-ACCESS read-only
STATUS current
DESCRIPTION
    "Indicates the maximum ratio of number of active codes to
    Maximum Scheduled Codes that the CM can support, as
    reported in the Ranging Request."
REFERENCE
    "Data-Over-Cable Service Interface Specifications: Radio
    Frequency Interface Specification Section 8.3.5"
::= { docsIfExt2CmMscStatusEntry 3 }

docsIfExt2CmMscStatusMaximumScheduledCodes OBJECT-TYPE
SYNTAX Unsigned32 ( 0 | 4..128)
MAX-ACCESS read-only

```

```

STATUS      current
DESCRIPTION
  "Indicates the Maximum Scheduled Codes in use by the CM.
  The value is provided by the CMTS through a TLV value in
  the RNG-RSP message. Note that not all values from 4..128
  are valid.
  A value of zero when docsIfExt2CmMscStatusSate is active(3)
  indicates there is no maximum scheduled codes value. This
  object should remain at zero when
  docsIfExt2CmMscStatusState is not active(3)."
```

```

REFERENCE
  "Data-Over-Cable Service Interface Specifications: Radio
  Frequency Interface Specification Section 8.3.6"
DEFVAL { 0 }
::= { docsIfExt2CmMscStatusEntry 4 }
```

docsIfExt2CmMscStatusPowerHeadroom OBJECT-TYPE

```

SYNTAX      TenthdB
UNITS       "TenthdB"
MAX-ACCESS  read-only
STATUS      current
DESCRIPTION
  "Indicates the Maximum Scheduled Codes Power Headroom in
  use by the CM, in units of tenth dB. The value is
  provided by the CMTS in units of quarter dB through
  TLV-11 in the RNG-RSP message and is rounded upward for
  this MIB object to the nearest tenth dB. A value of zero
  indicates the CMTS provided no Power Headroom. This
  object should remain at zero when
  docsIfExt2CmMscStatusState is not active(3)."
```

```

REFERENCE
  "Data-Over-Cable Service Interface Specifications: Radio
  Frequency Interface Specification Section 8.3.6"
DEFVAL { 0 }
::= { docsIfExt2CmMscStatusEntry 5 }
```

docsIfExt2CmMscStatusEffectivePower OBJECT-TYPE

```

SYNTAX      TenthdBmV
UNITS       "TenthdBmV"
MAX-ACCESS  read-only
STATUS      current
DESCRIPTION
  "Indicates the Effective Transmit Power of the CM. This is
  the power that would result hypothetically if, in a
  spreader-on frame, the CM were to transmit on all active
  codes with 64QAM modulation. This object should be equal
  to docsIfCmStatusTxPower when docsIfExt2CmMscStatusState
  is not active(3)."
```

```

REFERENCE
  "Data-Over-Cable Service Interface Specifications: Radio
  Frequency Interface Specification Section 6.2.18.2.2"
::= { docsIfExt2CmMscStatusEntry 6 }
```

docsIfExt2CmMscStatusIUC2Control OBJECT-TYPE

```

SYNTAX      INTEGER {
                noIUC2(1),
                limitedIUC2(2),
                freeIUC2(3)
            }
MAX-ACCESS  read-write
STATUS      current
```

```

DESCRIPTION
    "The CM usage of IUC2 when MSC is enabled:
    noIUC2(1): CM usage of IUC2 is prohibited
    limitedIUC2(2): CM is allowed to use IUC2 as long as
    the CM does not exceed MSC
    freeIUC2(3): CM is allowed to use IUC2 without regard
    for MSC.
    With limitedIUC2(2), there may be cases where a CM cannot
    ensure that the use of IUC2 would not exceed MSC. In these
    cases, the CM MUST NOT use IUC2."1
REFERENCE
    "Data-Over-Cable Service Interface Specifications: Radio
    Frequency Interface Specification Section 6.2.11.6"
DEFVAL { noIUC2 }
::= { docsIfExt2CmMscStatusEntry 7 }

-----
-- CMTS Group Objects
-----

docsIfExt2CmtsMscGlobalEnable OBJECT-TYPE
    SYNTAX      TruthValue
    MAX-ACCESS  read-write
    STATUS      current
    DESCRIPTION
        "Indicates the global state of the Maximum Scheduled Code
        feature on the CMTS. The value true(1) indicates that this
        feature can be enabled on individual logical channels on
        the CMTS. The value false(2) indicates that the feature is
        not in operations on the CMTS. Note that the MIB object
        docsIfExt2CmtsUpChannelMscState exists to enable or disable
        Maximum Scheduled Codes on a per logical channel basis."
    DEFVAL { false }
    ::= { docsIfExt2CmtsObjects 1 }

-----
-- CMTS reported Cm's Maximum Scheduled Codes
-- docsIfExt2CmtsCmMscStatusTable extends docsIfCmtsCmStatusTable
-----

docsIfExt2CmtsCmMscStatusTable OBJECT-TYPE
    SYNTAX      SEQUENCE OF DocsIfExt2CmtsCmMscStatusEntry
    MAX-ACCESS  not-accessible
    STATUS      current
    DESCRIPTION
        "This table extends the docsIfCmtsCmStatusTable to report
        CM MSC status."
    ::= { docsIfExt2CmtsObjects 2 }

docsIfExt2CmtsCmMscStatusEntry OBJECT-TYPE
    SYNTAX      DocsIfExt2CmtsCmMscStatusEntry
    MAX-ACCESS  not-accessible
    STATUS      current
    DESCRIPTION
        "An entry for MSC CM status report. Only CMs allocated
        to SCDMA upstream channels are included in this table."
    INDEX { docsIfCmtsCmStatusIndex }
    ::= { docsIfExt2CmtsCmMscStatusTable 1 }

DocsIfExt2CmtsCmMscStatusEntry ::= SEQUENCE
    {

```

<sup>1</sup>. Added this statement per ECN OSSlv2.0-N-04.0196-3 by GO on 2/21/05.

```

docsIfExt2CmtsCmMscStatusPowerShortfall      TenthdB,
docsIfExt2CmtsCmMscStatusCodeRatio           Unsigned32,
docsIfExt2CmtsCmMscStatusMaximumScheduledCodes Unsigned32,
docsIfExt2CmtsCmMscStatusPowerHeadroom      TenthdB,
docsIfExt2CmtsCmMscStatusMeasuredSNR        TenthdB,
docsIfExt2CmtsCmMscStatusEffectiveSNR       TenthdB
}

```

docsIfExt2CmtsCmMscStatusPowerShortfall OBJECT-TYPE

```

SYNTAX      TenthdB
UNITS       "TenthdB"
MAX-ACCESS  read-only
STATUS      current

```

DESCRIPTION

"Indicates the Power Shortfall at the CM, in units of tenth dB. The value is provided by the CM and is sent in the RNG-REQ message. It is internally calculated in units of quarter dB and is rounded upward for this MIB object to the nearest tenth dB. A value of zero indicates that the CM has no power shortfall."

REFERENCE

"Data-Over-Cable Service Interface Specifications: Radio Frequency Interface Specification Section 8.3.5"

DEFVAL { 0 }

::= { docsIfExt2CmtsCmMscStatusEntry 1 }

docsIfExt2CmtsCmMscStatusCodeRatio OBJECT-TYPE

```

SYNTAX      Unsigned32 (2 | 8 | 16 | 32)
MAX-ACCESS  read-only
STATUS      current

```

DESCRIPTION

"Indicates the maximum ratio of number of active codes to Maximum Scheduled Codes that the CM reported in the Ranging Request."

REFERENCE

"Data-Over-Cable Service Interface Specifications: Radio Frequency Interface Specification Section 8.3.5"

::= { docsIfExt2CmtsCmMscStatusEntry 2 }

docsIfExt2CmtsCmMscStatusMaximumScheduledCodes OBJECT-TYPE

```

SYNTAX      Unsigned32 (0 | 4..128)
MAX-ACCESS  read-only
STATUS      current

```

DESCRIPTION

"Indicates the Maximum Scheduled Codes value in use by the CM. The value is provided by the CMTS through a TLV in the RNG-RSP message. Note that not all values from 4..128 are valid. A value of zero indicates there is no Maximum Scheduled Codes, or that the CM does not support the Maximum Scheduled Codes feature."

REFERENCE

"Data-Over-Cable Service Interface Specifications: Radio Frequency Interface Specification Section 8.3.6"

DEFVAL { 0 }

::= { docsIfExt2CmtsCmMscStatusEntry 3 }

docsIfExt2CmtsCmMscStatusPowerHeadroom OBJECT-TYPE

```

SYNTAX      TenthdB
UNITS       "TenthdB"
MAX-ACCESS  read-only
STATUS      current

```

DESCRIPTION

"Indicates the Maximum Scheduled Codes Power Headroom in use by the CM, in units of tenth dB. The value is provided by the CMTS in units of quarter dB through a TLV value in the RNG-RSP message and is rounded upward for this MIB object to the nearest tenth dB. A value of zero indicates the CMTS provided no Power Headroom."

## REFERENCE

"Data-Over-Cable Service Interface Specifications: Radio Frequency Interface Specification Section 8.3.6"  
 DEFVAL { 0 }  
 ::= { docsIfExt2CmtsCmMscStatusEntry 4 }

## docsIfExt2CmtsCmMscStatusMeasuredSNR OBJECT-TYPE

SYNTAX TenthdB  
 UNITS "TenthdB"  
 MAX-ACCESS read-only  
 STATUS current  
 DESCRIPTION

"The signal to noise ratio perceived for this cable modem on the upstream logical channel as of the last station maintenance."

## REFERENCE

"Data-Over-Cable Service Interface Specifications: Radio Frequency Interface Specification Section 6.2.18.2.2"  
 ::= { docsIfExt2CmtsCmMscStatusEntry 5 }

## docsIfExt2CmtsCmMscStatusEffectiveSNR OBJECT-TYPE

SYNTAX TenthdB  
 UNITS "TenthdB"  
 MAX-ACCESS read-only  
 STATUS current  
 DESCRIPTION

"The signal to noise ratio estimated for this cable modem on the upstream logical channel, referenced to 64QAM modulation. It is defined as the measured SNR at the last station maintenance, minus the CM power shortfall, plus the Power Headroom, minus the constellation gain of the station maintenance burst.

Note that the value of the object docsIfCmtsCmStatusSignalNoise will be identical to the value of this object when Maximum Scheduled Codes is enabled."

## REFERENCE

"Data-Over-Cable Service Interface Specifications: Radio Frequency Interface Specification Section 6.2.18.2.2"  
 ::= { docsIfExt2CmtsCmMscStatusEntry 6 }

-----  
 -- CMTS MSC Upstream Logical Channel State  
 -- docsIfExt2CmtsUpChannelMscTable extends docsIfUpstreamChannelTable  
 -----

## docsIfExt2CmtsUpChannelMscTable OBJECT-TYPE

SYNTAX SEQUENCE OF DocsIfExt2CmtsUpChannelMscEntry  
 MAX-ACCESS not-accessible  
 STATUS current  
 DESCRIPTION

"This table extends the docsIfUpstreamChannelTable to report CM MSC status."

::= { docsIfExt2CmtsObjects 3 }

## docsIfExt2CmtsUpChannelMscEntry OBJECT-TYPE

SYNTAX DocsIfExt2CmtsUpChannelMscEntry  
 MAX-ACCESS not-accessible  
 STATUS current

## DESCRIPTION

"An entry for MSC upstream status report. Only SCMDA logical upstream channels (i.e. ifType=docsCableUpstreamChannel(205) and docsIfUpChannelType=scdma(3)) are included in this table."

```
INDEX { ifIndex }
 ::= { docsIfExt2CmtsUpChannelMscTable 1 }
```

DocsIfExt2CmtsUpChannelMscEntry ::= SEQUENCE

```
{
 docsIfExt2CmtsUpChannelMscState          INTEGER,
 docsIfExt2CmtsUpChannelMSCTotalCMs      Gauge32,
 docsIfExt2CmtsUpChannelMSCLimitIUC1     Unsigned32,
 docsIfExt2CmtsUpChannelMSCMinimumValue  Unsigned32
}
```

docsIfExt2CmtsUpChannelMscState OBJECT-TYPE

```
SYNTAX      INTEGER {
             channelEnabled(1),
             channelDisabled(2),
             dormant(3)
           }
```

MAX-ACCESS read-write

STATUS current

## DESCRIPTION

"Indicates the state of the Maximum Scheduled Codes feature for an individual logical channel on the CMTS. The state will transition automatically from dormant(5) to ChannelEnabled(1) and vice-versa when the feature is globally enabled by the object docsIfExt2CmtsMscGlobalEnable.

channelEnabled(1) S-CDMA Maximum Scheduled Codes is enabled in the UCD TLV-17.

channelDisabled(2) S-CDMA Maximum Scheduled Codes is disabled in the UCD TLV-17 or a UCD has been sent that does not contain that TLV.

dormant(3) The CMTS channel is being set to channelEnabled(2) but MSC is globally disabled (docsIfExt2CmtsMscGlobalEnable is false(2) ). This value is explicitly read-only."

```
DEFVAL { channelDisabled }
 ::= { docsIfExt2CmtsUpChannelMscEntry 1 }
```

docsIfExt2CmtsUpChannelMSCTotalCMs OBJECT-TYPE

```
SYNTAX      Gauge32
```

MAX-ACCESS read-only

STATUS current

## DESCRIPTION

"Total number of CMs with docsIfCmtsCmStatusValue of registrationComplete with MSC active."

```
::= { docsIfExt2CmtsUpChannelMscEntry 2 }
```

docsIfExt2CmtsUpChannelMSCLimitIUC1 OBJECT-TYPE

```
SYNTAX      Unsigned32 (0..128)
```

UNITS "codes"

MAX-ACCESS read-only

STATUS current

## DESCRIPTION

"Indicates that, in order to prevent CMs from exceeding MSC, the CMTS will limit the scheduling of broadcast IUC1 to at most this many SCMDA codes per SCMDA frame."

```

    ::= { docsIfExt2CmtsUpChannelMscEntry 3 }

docsIfExt2CmtsUpChannelMSCMinimumValue OBJECT-TYPE
    SYNTAX      Unsigned32 (4..128)
    UNITS       "codes"
    MAX-ACCESS  read-write
    STATUS      current
    DESCRIPTION
        "When Maximum Scheduled Codes is enabled, instructs the
         CMTS to assign cable modems MSC values no less than this value."
    DEFVAL     { 4 }
    ::= { docsIfExt2CmtsUpChannelMscEntry 4 }

-----

-- CMTS Upstream Logical Channel Extension
-- docsIfExt2CmtsUpChannelTable extends docsIfUpstreamChannelTable
-----

docsIfExt2CmtsUpChannelTable OBJECT-TYPE
    SYNTAX      SEQUENCE OF DocsIfExt2CmtsUpChannelEntry
    MAX-ACCESS  not-accessible
    STATUS      current
    DESCRIPTION
        "This table extends the docsIfUpstreamChannelTable to report
         additional upstream status information."
    ::= { docsIfExt2CmtsObjects 4 }

docsIfExt2CmtsUpChannelEntry OBJECT-TYPE
    SYNTAX      DocsIfExt2CmtsUpChannelEntry
    MAX-ACCESS  not-accessible
    STATUS      current
    DESCRIPTION
        "An entry for upstream status information."
    INDEX { ifIndex }
    ::= { docsIfExt2CmtsUpChannelTable 1 }

DocsIfExt2CmtsUpChannelEntry ::= SEQUENCE
    {
        docsIfExt2CmtsUpChannelTotalCMs      Gauge32
    }

docsIfExt2CmtsUpChannelTotalCMs OBJECT-TYPE
    SYNTAX      Gauge32
    MAX-ACCESS  read-only
    STATUS      current
    DESCRIPTION
        "Total number of CMs with docsIfCmtsCmStatusValue of
         registrationComplete."
    ::= { docsIfExt2CmtsUpChannelEntry 1 }

-----

-- Conformance definitions
-----

docsIfExt2Conformance      OBJECT IDENTIFIER ::= { docsIfExt2Mib 2 }
docsIfExt2Compliances      OBJECT IDENTIFIER ::= { docsIfExt2Conformance 1 }
docsIfExt2Groups           OBJECT IDENTIFIER ::= { docsIfExt2Conformance 2 }

docsIfExt2Compliance MODULE-COMPLIANCE
    STATUS      current
    DESCRIPTION
        "The compliance statement for DOCSIS 20 enhanced features."

MODULE -- docsIfExt2Mib

```

```

-- conditionally mandatory groups

GROUP docsIfExt2CmGroup
  DESCRIPTION
    "Group of objects of enhanced DOCSIS 2.0 features
    applicable to CMs only."

-- conditionally optional groups
GROUP docsIfExt2CmtsGroup
  DESCRIPTION
    "Group of objects of enhanced DOCSIS 2.0 features
    applicable to CMTSes only. It is optional for a
    CMTS to implement the MIB objects in this group."

 ::= { docsIfExt2Compliances 1 }

docsIfExt2CmGroup OBJECT-GROUP
  OBJECTS {
    docsIfExt2CmMscStatusState,

    docsIfExt2CmMscStatusPowerShortfall,
    docsIfExt2CmMscStatusCodeRatio,
    docsIfExt2CmMscStatusMaximumScheduledCodes,
    docsIfExt2CmMscStatusPowerHeadroom,
    docsIfExt2CmMscStatusEffectivePower,
    docsIfExt2CmMscStatusIUC2Control
  }
  STATUS      current
  DESCRIPTION
    "Group of objects implemented in Cable Modems."
  ::= { docsIfExt2Groups 1 }

docsIfExt2CmtsGroup OBJECT-GROUP
  OBJECTS {
    docsIfExt2CmtsMscGlobalEnable,
    docsIfExt2CmtsCmMscStatusPowerShortfall,
    docsIfExt2CmtsCmMscStatusCodeRatio,
    docsIfExt2CmtsCmMscStatusMaximumScheduledCodes,
    docsIfExt2CmtsCmMscStatusPowerHeadroom,
    docsIfExt2CmtsCmMscStatusMeasuredSNR,
    docsIfExt2CmtsCmMscStatusEffectiveSNR,
    docsIfExt2CmtsUpChannelMscState,
    docsIfExt2CmtsUpChannelMSCTotalCMs,
    docsIfExt2CmtsUpChannelMSCLimitIUC1,
    docsIfExt2CmtsUpChannelMSCMinimumValue,
    docsIfExt2CmtsUpChannelTotalCMs
  }
  STATUS      current
  DESCRIPTION
    "Group of objects implemented in Cable Modem Termination
    Systems."
  ::= { docsIfExt2Groups 2 }
END

```

## Appendix I Business Process Scenarios For Subscriber Account Management (informative)

In order to develop the DOCS-OSS Subscriber Account Management Specification, it is necessary to consider high-level business processes common to cable operators and the associated operational scenarios. The following definitions represent a generic view of key processes involved. It is understood that business process terminology varies among different cable operators, distinguished by unique operating environments and target market segments.

For the purpose of this document, Subscriber Account Management refers to the following business processes and terms:

- Class of Service Provisioning Processes, which are involved in the automatic and dynamic provisioning and enforcement of subscribed class of policy-based service level agreements (SLAs)
- Usage-Based Billing Processes, which are involved in the processing of bills based on services rendered to and consumed by paying subscriber customers

### I.1 The old service model: “one class only” and “best-effort” service

The Internet is an egalitarian cyber society in its pure technical form where all Internet Protocol (IP) packets are treated as equals. Given that all IP packets have equal right-of-way over the Internet, it is a “one class fits all”, “first-come, first-served” type of service level arrangement. The response time and quality of delivery service is promised to be on a “best-effort” basis only.

Unfortunately, while all IP packets are theoretically equal, certain classes of IP packets must be processed differently. When transmitting data packets, traffic congestion causes no fatal problems except unpredictable delays and frustrations. However, in a convergent IP world where data packets are mixed with those associated with voice and streaming video, such “one-class” service level and “best-effort only” quality is not workable.

### I.2 The old billing model: “flat rate” access

As high-speed data-over-cable service deployment moves to the next stage, serious considerations must be made by all cable operators to abandon old business practices, most notably “flat-rate” fee structure. No service provider can hope to stay in business long by continuing to offer a single, “flat-rate” access service to all subscribers, regardless of actual usage.

Imagine if your utility bills were the same month after month, whether you used very little water or electricity every day, or if you ran your water and your air conditioning at full blast 24 hours a day. You would be entitled, just like everyone else, to consume as much or as little as you wished, any time you wanted it. Chances are you would not accept such a service agreement, not because it is not a fair arrangement, but such wasteful consumption would put enough pressure on the finite supply of water and electricity that most of your normal demands for usage would likely go unfulfilled.

### I.3 A Successful New Business Paradigm

The new paradigm for delivering IP-based services over cable networks is forcing all cable operators to adopt a new business paradigm. The retention of customers will require that an operator offer different class-of-service options and associated access rates with guaranteed provisioning and delivery of subscribed services. “Back Office” usage-based accounting and subscriber billing will become an important competitive differentiation in the emergence of high-speed data-over-cable services.

### I.3.1 Integrating "front end" processes seamlessly with "back office" functions

A long-standing business axiom states that accountability exists only with the right measurements and business prospers only with the proper management information. An effective subscriber account management system for data over cable services should meet three (3) major requirements:

**Automatic & Dynamic Subscriber Provisioning** The first requirement is to integrate service subscription orders and changes automatically and dynamically, with the various processes that invoke the provisioning and delivering of subscribed and/or "on-demand" services.

**Guaranteed Class & Quality of Services** The second requirement is to offer different class of services with varying rates and guarantee the quality of service level associated with each service class.

**Data Collection, Warehousing & Usage Billing** The third requirement is to capture a subscriber's actual usage, calculating the bill based on the rate associated with the customer's subscribed service levels.

### I.3.2 Designing Classes of Services

When designing different class of service offerings, a cable operator might consider the following framework:

- Class of Service by account type: business vs. residential accounts
- Class of Service by guaranteed service levels
- Class of Service by time of day and/or day of week
- "On Demand" Service by special order

The following is a plausible sample of classes of service:

- "Best Effort" Service Without Minimum Guarantee  
This class of "Best Effort Only" service is the normal practice of today where subscribers of this class of service are allocated only excess channel bandwidth available at the time while each subscriber's access is capped at a maximum bandwidth (for example at 512 kilobit per second).
- Platinum Service for Business and High-Access Residential Accounts  
Business accounts subscribing to this service are guaranteed a minimum data rate of downstream bandwidth - 512 kilobit per second, and if excess bandwidth is available, they are allowed to burst to 10 megabit per second.
- Gold Service for Business Accounts  
This class of service guarantees subscribers a 256 kilobit per second downstream data rate during business hours (for example, between 8 a.m. and 6 p.m.) and 128 kilobit per second at other times. If excess bandwidth is available at any time, data is allowed to burst to 5 megabit per second.
- Gold Service for Residential Accounts  
Residential subscribers of this service are guaranteed 128 kilobit per second downstream bandwidth during business hours and 256 kilobit per second at other times (for example, between 6 p.m. and 8 a.m.), and a maximum data burst rate of 5 megabit per second with available excess bandwidth.
- Silver Service for Business Accounts  
Business accounts subscribing to this service are guaranteed 128 kilobit per second downstream data rate during business hours and 64 kilobit per second during other times, and a maximum burst rate of 1 megabit per second.
- Silver Service for Residential Accounts  
Subscribers are guaranteed 64 kilobit per second downstream bandwidth during business hours and 128 kilobit per second at other times, with a maximum burst rate of 1 megabit per second.

- “On Demand” Service by Special Order  
This class of "on demand" service allows a subscriber to request additional bandwidth available for a specific period of time. For example, a subscriber can go to operator's web site and request increased guaranteed bandwidth service levels from his registered subscribed class of service from the normal 256 kilobit per second to 1 megabit per second from 2 p.m. to 4 p.m. the following day only, after which his service levels returns to the original subscribed class. The provisioning server will check the bandwidth commitment and utilization history to decide whether such "on demand" service is granted.

### I.3.3 Usage-Based Billing

A complete billing solution involves the following processes:

- Design different usage-based billing options
- Capture and manage subscriber account and service subscription information
- Estimate future usage based on past history
- Collect billable event data
- Generate and rate billing records
- Calculate, prepare and deliver bill
- Process and manage bill payment information and records
- Handle customer account inquires
- Manage debt and fraud

This specification focuses only on various business scenarios on bandwidth-centric usage-based billing options.

### I.3.4 Designing Usage-Based Billing Models

In support of the offering of different classes of service is a new set of billing processes, which are based on the accounting of actual usage of subscribed service by each subscriber calculated by the associated fee structures.

There are several alternatives to implementing usage-based billing. The following offers a few examples:

- Billing Based on an Average Bandwidth Usage.  
The average bandwidth usage is defined as the total bytes transmitted divided by the billing period.
- Billing Based on Peak Bandwidth Usage.  
The peak bandwidth usage is the highest bandwidth usage sample during the entire billing period. Each usage sample is defined as the average bandwidth usage over a data collection period (typically 10 minutes).

Since it is usually the peak usage pattern that creates the highest possibility of access problems for the cable operator, therefore, it is reasonable to charge for such usage. One scheme of peak usage billing is called "95 percentile billing". The process is as follows: At the end of each billing period, the billing software examines the usage records of each subscriber and it "throws away" the top five percent of usage records of that period, then charges the subscriber on the next highest bandwidth usage.

- "Flat Monthly Fee", Plus Usage Billing Based on the Class of Service Subscribed.  
Any usage beyond the minimum guaranteed bandwidth for that particular subscriber service class is subject to an extra charge based on the number of bytes transmitted.
- Billing for "On Demand" Service  
This special billing process is to support the "On Demand" Service offering described above.

This page intentionally left blank.

## Appendix II Summary of CM Authentication and Code File Authentication (informative)

The purpose of this appendix is to provide the overview of the two authentication mechanisms defined by the BPI+ specification as well as to provide an example of the responsibility assignment for actual operation but not to add any new requirements for the CMTS or the CM. Please refer to the BPI+ specification regarding the requirement for the CMTS and the CM.

### II.1 Authentication of the DOCSIS 2.0-compliant CM

If the CMTS is DOCSIS 2.0/BPI+-compliant and a DOCSIS 2.0 CM is provisioned to run BPI+ by the configuration file, the CMTS authenticates the CM by verifying the CM certificate and the manufacturer certificate. These certificates are contained in the Auth request and Auth Info packets respectively, and are sent to the CMTS by the CM after registration (when provisioned to do so by the configuration file). Only CMs with valid certificates will be authorized by the CMTS. Note that this CM authentication will not be applied if the CMTS and/or the CM is not compliant with BPI+, or the CM is not provisioned to run BPI+.

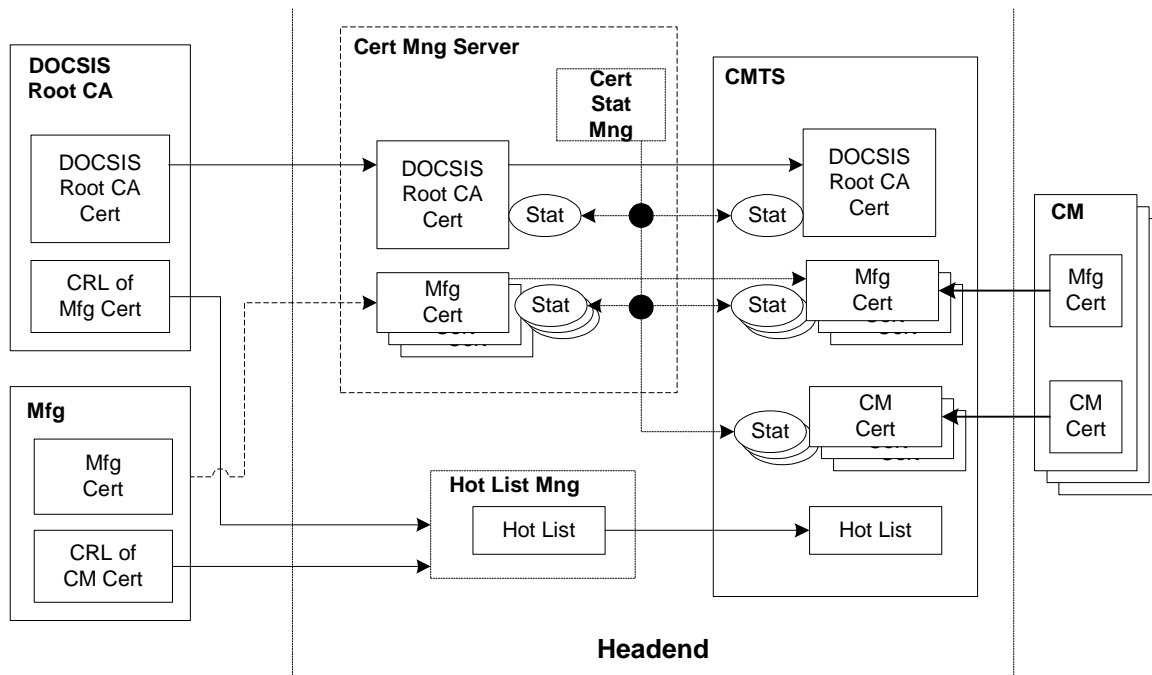


Figure II-1 Authentication of the DOCSIS 2.0-compliant CM

#### II.1.1 Responsibility of the DOCSIS Root CA

The DOCSIS Root CA is responsible for the following:

- Storing the DOCSIS Root private key in secret
- Maintaining the DOCSIS Root CA certificate
- Issuing the manufacturer CA certificates signed by the DOCSIS Root CA
- Maintaining the CRL of the manufacturer CA
- Providing the operators with the CRL

The DOCSIS Root CA or CableLabs is likely to put the DOCSIS Root CA on their Web or TFTP server to let the operators (or the CMTS, on behalf of the operator) download it, but this is not yet decided.

### II.1.2 Responsibility of the CM manufacturers

The CM manufacturers are responsible for the following:

- Storing the manufacturer CA private key in secret
- Maintaining the manufacturer CA certificate. The manufacturer CA certificate is usually signed by the DOCSIS Root CA, but can be self-signed until the DOCSIS Root CA issues it based on the CableLabs policy.
- Issuing the CM certificates
- Putting the manufacturer CA certificate in the CM's software
- Putting each CM certificate in the CM's permanent, write-once memory
- Providing the operators with the "hot list" of the CM certificates. The "hot list" may be in CRL format. However, the detail of the format and the method of delivery are TBD.

### II.1.3 Responsibility of the operators

The operators are responsible for the following:

- Maintaining that the CMTSes have an accurate date and time. If a CMTS has a wrong date or time, the invalid certificate may be authenticated or the valid certificate may not be authenticated.
- Putting the DOCSIS Root CA certificate in the CMTS during the CMTS provisioning using the BPI+ MIB or the CMTS's proprietary function. The operator may have a server to manage this certificate for one or more CMTS(s).
- Putting the manufacturer CA certificate(s) in the CMTS during the CMTS provisioning using the BPI+ MIB or the CMTS's proprietary function (optional). The operator may have a server to manage this certificate for one or more CMTSes.
- Maintaining the status of the certificates in the CMTSes if desired using the BPI+ MIB or the CMTS's proprietary function (optional). The operator may have a server to manage all the status of the certificates recorded in one or more CMTSes.

The operator may have a server to manage the DOCSIS Root CA certificate, manufacturer CA certificate(s) and also the status of the certificates recorded in one or more CMTSes.

- Maintaining the "hot list" for the CMTS based on the CRLs provided by the DOCSIS Root CA and the CM manufacturers (optional). The operator may have a server to manage the "hot list" based on the CRLs provided by the DOCSIS Root CA and manufacturer CAs. The CMTS may have a function to automatically download the DOCSIS Root CA certificate and the CRLs via the Internet or other method. The DOCSIS Root CA or CableLabs is likely to put the DOCSIS Root CA on their Web or TFTP server in order to let the operators (or the CMTS on behalf of the operator) download it but this is not yet decided.

## II.2 Authentication of the code file for the DOCSIS 2.0-compliant CM

When a DOCSIS 2.0/BPI+-compliant CM downloads a code file from a TFTP server, the CM must authenticate the code file as defined in Appendix D of the BPI+ specification regardless of whether the CM was provisioned to use BPI+, BPI, or neither, by the configuration file. The CM installs the new image and restarts using it only if verification of the code image was successful (as defined in Appendix D of the BPI+ specification). If authentication fails, the CM rejects the code file downloaded from the TFTP server and continues to operate using the current code. The CM performs a software download, whether initiated by the configuration file or SNMP, only if it was initialized with a valid CVC received in the CM configuration file. In addition to the code

file authentication by the CM, the operators may authenticate the code file before they put it on the TFTP sever. The following figure shows the summary of these mechanisms.

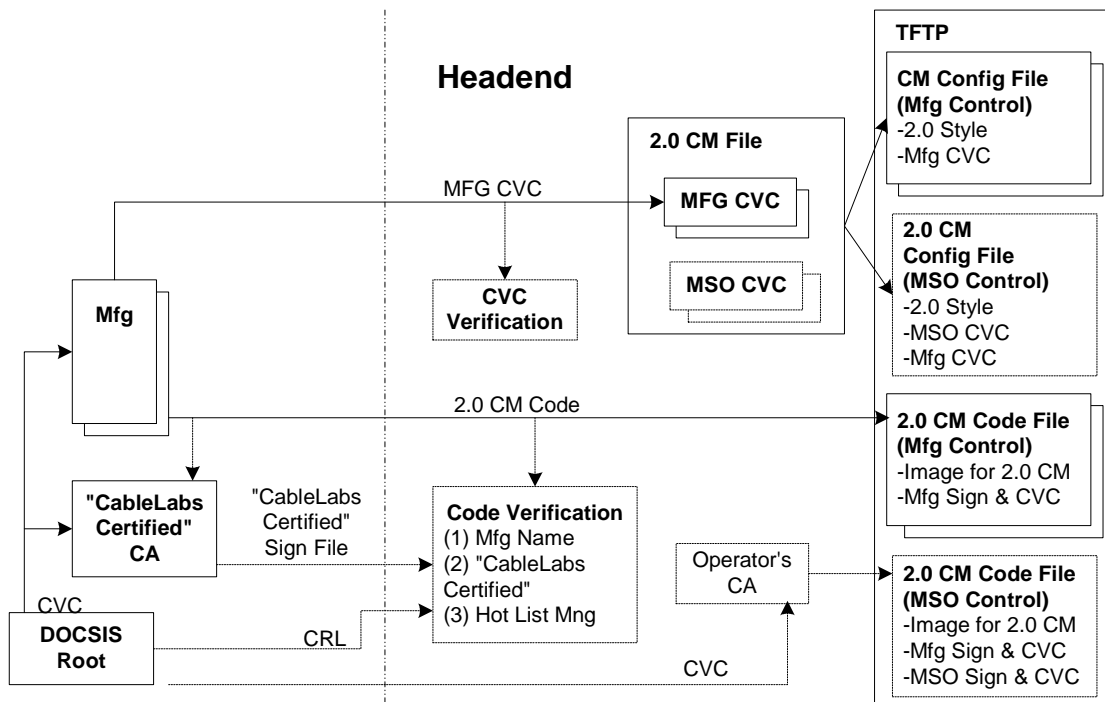


Figure II-2 Authentication of the code file for the DOCSIS 2.0-compliant CM

### II.2.1 Responsibility of the DOCSIS Root CA

The DOCSIS Root CA is responsible for the following:

- Storing the DOCSIS Root private key in secret
- Maintaining the DOCSIS Root CA certificate
- Issuing the code verification certificates (CVCs) for the CM manufacturers, for the operators, and for "CableLabs Certified"<sup>TM</sup>
- The Root CA may maintain the CRL of the CVCs and provide it to the operators.

### II.2.2 Responsibility of the CM manufacturer

The CM manufacturers are responsible for the following:

- Storing the manufacturer CVC private key in secret
- Putting the DOCSIS Root CA certificate in the CM's software
- Maintaining the manufacturer CVC (the current BPI+ specification only allows CVCs signed by the DOCSIS Root CA and does not accept self-signed CVCs)
- Generating the code file with the manufacturer's CVC and signature
- Providing the operators with the code file and the manufacturer CVC

### II.2.3 Responsibility of CableLabs

CableLabs is responsible for the following:

- Storing the "CableLabs Certified™" CVC private key in secret
- Maintaining the "CableLabs Certified™" CVC signed by the DOCSIS Root CA
- Issuing the "CableLabs Certified™" signature file for the DOCSIS 2.0 CM code file certified by CableLabs

### II.2.4 Responsibility of the operators

Operators have the following responsibilities and options:

- Verifying the manufacturer CVC and signature in the code file provided by the manufacturer prior to using it (optional). The code file may be rejected (not used to upgrade CMs) if the manufacturer signature or CVC is invalid.
- Checking if the code file provided by the CM manufacturer is "CableLabs Certified™" by verifying the "CableLabs Certified™" CVC and signature in the "CableLabs Certified™" signature file against the code file before the operator loads the code file on the TFTP server (optional).
- Maintaining the operator CA by storing the operator CA private key in secret and maintaining the operator's (co-signer) CVC issued by the DOCSIS Root CA (optional)
- Generating the MSO-controlled code file by adding the operator's CVC and signature to the original code file provided by the CM manufacturer (optional)
- Checking if the CVC provided by the CM manufacturer is valid (optional)
- Putting the appropriate CVC(s) in the CM configuration file. In the case that the original code file is to be downloaded to the CMs, the CM configuration file must contain the valid CVC from the CM's manufacturer. In case that the operator-controlled code file is to be downloaded, the CM configuration file must contain the valid CVC of the operator and may contain the valid CVC from the CM manufacturer. If a CVC is not present in the CM configuration file, or the CVCs that are present are invalid, the CM will not initiate a software download if instructed to via SNMP or the CM configuration file. Note that the DOCSIS 2.0-compliant CM may be registered and authorized by the CMTS and become operational regardless of whether the CM configuration file contains valid CVCs.

## Appendix III Encoding examples for Subscriber Usage IPDRs<sup>1</sup>

### III.1 Example Usage Record Streaming model Containing diverse services

Table III-1 includes a set of records from a bigger set that contains active Service Flows/ CoS for the collection interval from 10:30 AM to 11:00 AM of a day Nov 10 2004 (30 minutes intervals) PCxx correspond to PacketCable™ 1.0 voice calls; FLPxx correspond to CMs flapping in the registration process after some time being online; CMxx correspond to CMs with steady registration, and passing data. Not all the statistics are presented and for simplicity only Upstream data is shown in this example.

**Table III-1 Sample of records for the period 10:30 to 11:00 AM**

Device	TimeStart	TimeEnd	TimeLast (sec)	RecType
PC02	10:42:01	10:44:42	161	Stop
PC09	10:35:11	10:36:46	95	Stop
FLP01	10:44:33	11:07:30	1377	Interim
FLP02	10:13:53	10:34:49	1256	Stop
FLP02	10:35:25	10:58:08	1363	Stop
FLP02	10:58:47	11:14:39	952	Interim
FLP03	10:13:39	10:38:26	1487	Stop
FLP03	10:39:00	11:05:32	1592	Interim
FLP04	10:17:50	10:33:35	945	Stop
FLP04	10:34:11	10:56:43	1352	Stop
FLP04	10:57:18	11:13:22	964	Interim
CM01	9:06:43	11:50:29	9826	Interim
CM02	9:54:13	12:31:34	9441	Interim
CM03	9:27:57	12:58:43	12646	Interim
CM04	8:56:05	12:07:37	11492	Interim
CM05	9:03:01	11:30:46	8865	Interim
CM06	9:49:23	12:58:20	11337	Interim
CM07	8:19:37	12:59:17	16780	Interim

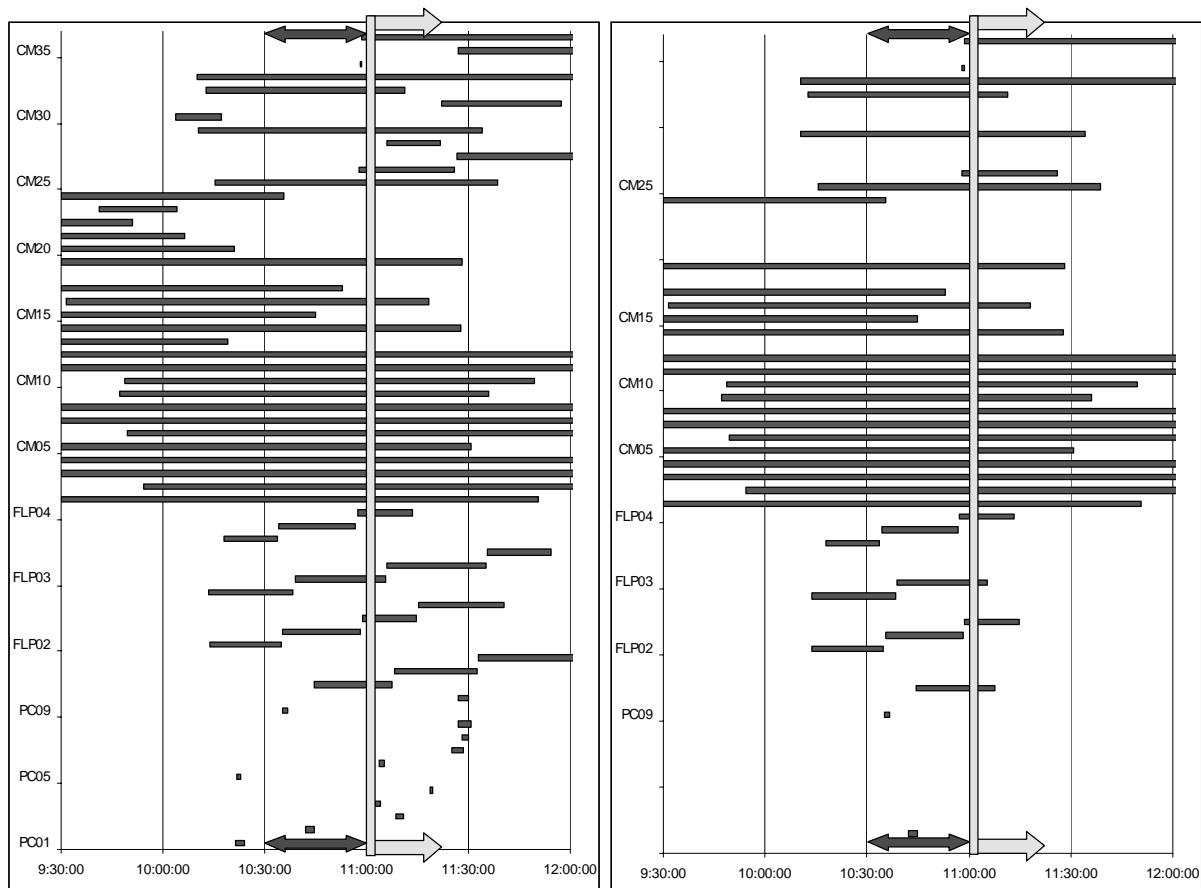
  

Device	TimeStart	TimeEnd	TimeLast (sec)	RecType
CM08	8:16:46	12:05:34	13728	Interim
CM09	9:47:07	11:36:04	6537	Interim
CM10	9:48:39	11:49:21	7242	Interim
CM11	9:05:29	12:30:36	12307	Interim
CM12	8:40:34	12:17:30	13016	Interim
CM14	8:08:13	11:27:41	11968	Interim
CM15	8:04:46	10:44:59	9613	Stop
CM16	9:31:22	11:18:15	6413	Interim
CM17	8:44:49	10:53:03	7694	Stop
CM19	9:07:13	11:28:10	8457	Interim
CM24	8:02:37	10:35:35	9178	Stop
CM25	10:15:27	11:38:47	5000	Interim
CM26	10:57:44	11:26:00	1696	Interim
CM29	10:10:35	11:34:02	5007	Interim
CM32	10:12:35	11:11:12	3517	Interim
CM33	10:10:13	12:20:49	7836	Interim
CM34	10:57:58	10:58:41	43	Stop
CM36	10:58:36	12:38:25	5989	Interim

Figure III-1 shows in the left side, an arbitrary set of active CM services from start to end: Basic, Premium and Business services (SCN being associated by the CMTS) are here static services and PacketCable Services (SCN = G711) represent VoIP calls over PacketCable infrastructure. Note that CMTS have signaled in a proprietary manner a SCN = Basic for CMs in 1.0 mode of operation; this could be considered a CMTS specific feature for filling the SCN with the purpose of aggregating that service segment and does not constitute a CMTS requirement

The Figure in the right side corresponds to the records that are reported for the collector interval 10:30 to 11:00 AM as RecType 'Stop' or 'Interim'.

<sup>1</sup> Revised this Appendix per ECN OSSIV2.0-N-04.0173-7 by GO on 10/29/04.



**Figure III-1 Set of CM Services in an arbitrary period of time (Left Graphic)  
Set of Records associated to the Collection Interval 10:30 to 11:00 AM (Right Graphic)**

The corresponding records sent by exporter for the time interval 10:30 to 11:00 AM as indicated in the figures above are represented in the below IPDRDoc XML format. IPDRDoc is expected to be aggregated by the Collector with the IPDR/SP data streamed within the session start stop boundary.<sup>1</sup>

XML comments show the IPDR/SP dataRecord XDR encoded field of the IPDR/SP DATA message of the associated IPDR record.

```
<?xml version="1.0" encoding="UTF-8" ?>
<ipdr:IPDRDoc xmlns:ipdr="http://www.ipdr.org/public/IPDR" xmlns="http://www.foo.com/ipdr/namespace"
  xmlns:xsi="http://www.w3.org/2001/XMLSchema-instance" xsi:schemaLocation="http://www.ipdr.org/
  public/CableLabs(R)/DOCSIS(TM) http://www.ipdr.org/public/CableLabs(R)/DOCSIS(TM)/
  DOCSIS(R)3.5.1-A.0.xsd" docId="3d07ba27-0000-0000-0000-1a2b3c4d5e6f" creationTime="2004-11-
  10T07:11:05Z" IPDRRecorderInfo="cmts01.mso.com" version="3.5.1-A.0">
  <IPDR xsi:type="DOCSIS-Type">
    <CMTSHostName>cmts01.mso.com</CMTSHostName>
    <CMTSipAddress>10.40.57.11</CMTSipAddress>
    <CMTSsysUpTime>2226878</CMTSsysUpTime>
```

<sup>1</sup>. Replaced this paragraph and the remainder of this appendix per ECN OSSiv2.0-N-0209-4 by GO on 3/17/05.

```

<CMTScatvIfName>Int0/1</CMTScatvIfName>
<CMTScatvIfIndex>456</CMTScatvIfIndex>
<CMTSupIfName>Int/0/1/4</CMTSupIfName>
<CMTSupIfType>205</CMTSupIfType>
<CMTSdownIfName>int/0/1/2</CMTSdownIfName>
<CMmacAddress>00-09-36-A7-70-89</CMmacAddress>
<CMipAddress>55.12.48.113</CMipAddress>
<CMdocsisMode>11</CMdocsisMode>
<RecType>1</RecType>
<RecCreationTime>2004-11-10T07:11:05Z</RecCreationTime>
<serviceIdentifier>361</serviceIdentifier>
<serviceClassName>Premium</serviceClassName>
<serviceDirection>2</serviceDirection>
<serviceOctetsPassed>16486400</serviceOctetsPassed>
<servicePktsPassed>82431</servicePktsPassed>
<serviceSlaDropPkts>412</serviceSlaDropPkts>
<serviceSlaDelayPkts>8</serviceSlaDelayPkts>
<serviceTimeCreated>2210822</serviceTimeCreated>
<serviceTimeActive>161</serviceTimeActive>
</IPDR>
<!--
/* IPDR/SP 2.1 XDR encoded dataRecord in IPDR/SP DATA message */
00 00 00 0E 63 6D 74 73 30 31 2E 6D 73 6F 2E 63
6F 6D 0A 28 39 0B 00 21 FA BE 00 00 00 06 49 6E
74 30 2F 31 00 00 01 C8 00 00 00 09 49 6E 74 2F
30 2F 31 2F 34 00 00 00 CD 00 00 00 09 69 6E 74
2F 30 2F 31 2F 32 00 00 00 09 36 A7 70 89 37 0C
30 71 00 00 00 0B 00 00 00 01 00 00 00 00 41 91
BF 09 00 00 01 69 00 00 00 07 50 72 65 6D 69 75
6D 00 00 00 02 00 00 00 00 00 FB 90 00 00 00 00
00 00 01 41 FF 00 00 01 9C 00 00 00 08 00 21 BC
06 00 00 00 A1

breakdown of IPDR/SP 2.1 DOCSIS Usage Billing Records:
cmts01.mso.com : CMTSHostName : string
  00 00 00 0E 63 6D 74 73 30 31 2E 6D 73 6F 2E 63 6F 6D
10.40.57.11 : CMTSipAddress : ipV4Addr
  0A 28 39 0B
2226878 : CMTSsysUpTime : unsignedInt
  00 21 FA BE
Int0/1 : CMTScatvIfName : string
  00 00 00 06 49 6E 74 30 2F 31
456 : CMTScatvIfIndex : unsignedInt
  00 00 01 C8
Int/0/1/4 : CMTSupIfName : string
  00 00 00 09 49 6E 74 2F 30 2F 31 2F 34
205 : CMTSupIfType : int
  00 00 00 CD
int/0/1/2 : CMTSdownIfName : string
  00 00 00 09 69 6E 74 2F 30 2F 31 2F 32
00-09-36-A7-70-89 : CMmacAddress : macAddress
  00 00 00 09 36 A7 70 89
55.12.48.113 : CMipAddress : ipV4Addr
  37 0C 30 71

```

```

11 : CMdocsisMode : int
    00 00 00 0B
1 : RecType : int
    00 00 00 01
2004-11-10T07:11:05Z : RecCreationTime : dateTimeMsec
    00 00 00 00 41 91 BF 09
361 : serviceIdentifier : unsignedInt
    00 00 01 69
Premium : serviceClassName : string
    00 00 00 07 50 72 65 6D 69 75 6D
2 : serviceDirection : int
    00 00 00 02
16486400 : serviceOctetsPassed : unsignedLong
    00 00 00 00 00 FB 90 00
82431 : servicePktsPassed : unsignedLong
    00 00 00 00 00 01 41 FF
412 : serviceSlaDropPkts : unsignedInt
    00 00 01 9C
8 : serviceSlaDelayPkts : unsignedInt
    00 00 00 08
2210822 : serviceTimeCreated : unsignedInt
    00 21 BC 06
161 : serviceTimeActive : unsignedInt
    00 00 00 A1

-->
<IPDR xsi:type="DOCSIS-Type">
  <CMTSHostName>cmts01.mso.com</CMTSHostName>
  <CMTSipAddress>10.40.57.11</CMTSipAddress>
  <CMTSsysUpTime>2226878</CMTSsysUpTime>
  <CMTScatvIfName>Int0/1</CMTScatvIfName>
  <CMTScatvIfIndex>456</CMTScatvIfIndex>
  <CMTSupIfName>Int/0/1/4</CMTSupIfName>
  <CMTSupIfType>205</CMTSupIfType>
  <CMTSdownIfName>int/0/1/2</CMTSdownIfName>
  <CMmacAddress>00-09-36-A7-70-89</CMmacAddress>
  <CMipAddress>55.12.48.113</CMipAddress>
  <CMdocsisMode>11</CMdocsisMode>
  <RecType>1</RecType>
  <RecCreationTime>2004-11-10T07:11:05Z</RecCreationTime>
  <serviceIdentifier>361</serviceIdentifier>
  <serviceClassName>Premium</serviceClassName>
  <serviceDirection>2</serviceDirection>
  <serviceOctetsPassed>9727999</serviceOctetsPassed>
  <servicePktsPassed>48639</servicePktsPassed>
  <serviceSlaDropPkts>243</serviceSlaDropPkts>
  <serviceSlaDelayPkts>4</serviceSlaDelayPkts>
  <serviceTimeCreated>2217422</serviceTimeCreated>
  <serviceTimeActive>94</serviceTimeActive>
</IPDR>
  <!--
  /* IPDR/SP 2.1 XDR encoded dataRecord in IPDR/SP DATA message */
  00 00 00 0E 63 6D 74 73 30 31 2E 6D 73 6F 2E 63
  6F 6D 0A 28 39 0B 00 21 FA BE 00 00 00 06 49 6E

```

74 30 2F 31 00 00 01 C8 00 00 00 09 49 6E 74 2F  
30 2F 31 2F 34 00 00 00 CD 00 00 00 09 69 6E 74  
2F 30 2F 31 2F 32 00 00 00 09 36 A7 70 89 37 0C  
30 71 00 00 00 0B 00 00 00 01 00 00 00 00 41 91  
BF 09 00 00 01 69 00 00 00 07 50 72 65 6D 69 75  
6D 00 00 00 02 00 00 00 00 00 94 6F FF 00 00 00  
00 00 00 BD FF 00 00 00 F3 00 00 00 04 00 21 D5  
CE 00 00 00 5E

breakdown of IPDR/SP 2.1 DOCSIS Usage Billing Records:

cmts01.mso.com : CMTSHostName : string  
00 00 00 0E 63 6D 74 73 30 31 2E 6D 73 6F 2E 63 6F 6D  
10.40.57.11 : CMTSipAddress : ipV4Addr  
0A 28 39 0B  
2226878 : CMTSsysUpTime : unsignedInt  
00 21 FA BE  
Int0/1 : CMTScatvIfName : string  
00 00 00 06 49 6E 74 30 2F 31  
456 : CMTScatvIfIndex : unsignedInt  
00 00 01 C8  
Int/0/1/4 : CMTSupIfName : string  
00 00 00 09 49 6E 74 2F 30 2F 31 2F 34  
205 : CMTSupIfType : int  
00 00 00 CD  
int/0/1/2 : CMTSdownIfName : string  
00 00 00 09 69 6E 74 2F 30 2F 31 2F 32  
00-09-36-A7-70-89 : CMmacAddress : macAddress  
00 00 00 09 36 A7 70 89  
55.12.48.113 : CMipAddress : ipV4Addr  
37 0C 30 71  
11 : CMdocsisMode : int  
00 00 00 0B  
1 : RecType : int  
00 00 00 01  
2004-11-10T07:11:05Z : RecCreationTime : dateTimeMsec  
00 00 00 00 41 91 BF 09  
361 : serviceIdentifier : unsignedInt  
00 00 01 69  
Premium : serviceClassName : string  
00 00 00 07 50 72 65 6D 69 75 6D  
2 : serviceDirection : int  
00 00 00 02  
9727999 : serviceOctetsPassed : unsignedLong  
00 00 00 00 00 94 6F FF  
48639 : servicePktsPassed : unsignedLong  
00 00 00 00 00 00 BD FF  
243 : serviceSlaDropPkts : unsignedInt  
00 00 00 F3  
4 : serviceSlaDelayPkts : unsignedInt  
00 00 00 04  
2217422 : serviceTimeCreated : unsignedInt  
00 21 D5 CE  
94 : serviceTimeActive : unsignedInt  
00 00 00 5E

```

-->
<IPDR xsi:type="DOCSIS-Type">
  <CMTSHostName>cmts01.mso.com</CMTSHostName>
  <CMTSipAddress>10.40.57.11</CMTSipAddress>
  <CMTSsysUpTime>2226878</CMTSsysUpTime>
  <CMTScatvIfName>Int0/1</CMTScatvIfName>
  <CMTScatvIfIndex>456</CMTScatvIfIndex>
  <CMTSupIfName>Int/0/1/4</CMTSupIfName>
  <CMTSupIfType>205</CMTSupIfType>
  <CMTSdownIfName>int/0/1/2</CMTSdownIfName>
  <CMmacAddress>00-09-36-A7-70-89</CMmacAddress>
  <CMipAddress>55.12.48.113</CMipAddress>
  <CMdocsisMode>11</CMdocsisMode>
  <RecType>1</RecType>
  <RecCreationTime>2004-11-10T07:11:05Z</RecCreationTime>
  <serviceIdentifier>361</serviceIdentifier>
  <serviceName>Premium</serviceName>
  <serviceDirection>2</serviceDirection>
  <serviceOctetsPassed>5838014</serviceOctetsPassed>
  <servicePktsPassed>11676</servicePktsPassed>
  <serviceSlaDropPkts>58</serviceSlaDropPkts>
  <serviceSlaDelayPkts>1</serviceSlaDelayPkts>
  <serviceTimeCreated>2134223</serviceTimeCreated>
  <serviceTimeActive>926</serviceTimeActive>
</IPDR>
  <!--
    /* IPDR/SP 2.1 XDR encoded dataRecord in IPDR/SP DATA message */
    00 00 00 0E 63 6D 74 73 30 31 2E 6D 73 6F 2E 63
    6F 6D 0A 28 39 0B 00 21 FA BE 00 00 00 06 49 6E
    74 30 2F 31 00 00 01 C8 00 00 00 09 49 6E 74 2F
    30 2F 31 2F 34 00 00 00 CD 00 00 00 09 69 6E 74
    2F 30 2F 31 2F 32 00 00 00 09 36 A7 70 89 37 0C
    30 71 00 00 00 0B 00 00 00 01 00 00 00 00 41 91
    BF 09 00 00 01 69 00 00 00 07 50 72 65 6D 69 75
    6D 00 00 00 02 00 00 00 00 00 59 14 BE 00 00 00
    00 00 00 2D 9C 00 00 00 3A 00 00 00 01 00 20 90
    CF 00 00 03 9E

    breakdown of IPDR/SP 2.1 DOCSIS Usage Billing Records:
    cmts01.mso.com : CMTSHostName : string
      00 00 00 0E 63 6D 74 73 30 31 2E 6D 73 6F 2E 63 6F 6D
    10.40.57.11 : CMTSipAddress : ipV4Addr
      0A 28 39 0B
    2226878 : CMTSsysUpTime : unsignedInt
      00 21 FA BE
    Int0/1 : CMTScatvIfName : string
      00 00 00 06 49 6E 74 30 2F 31
    456 : CMTScatvIfIndex : unsignedInt
      00 00 01 C8
    Int/0/1/4 : CMTSupIfName : string
      00 00 00 09 49 6E 74 2F 30 2F 31 2F 34
    205 : CMTSupIfType : int
      00 00 00 CD
  -->

```

```

int/0/1/2 : CMTSdownIfName : string
    00 00 00 09 69 6E 74 2F 30 2F 31 2F 32
00-09-36-A7-70-89 : CMmacAddress : macAddress
    00 00 00 09 36 A7 70 89
55.12.48.113 : CMipAddress : ipV4Addr
    37 0C 30 71
11 : CMdocsisMode : int
    00 00 00 0B
1 : RecType : int
    00 00 00 01
2004-11-10T07:11:05Z : RecCreationTime : dateTimeMsec
    00 00 00 00 41 91 BF 09
361 : serviceIdentifier : unsignedInt
    00 00 01 69
Premium : serviceClassName : string
    00 00 00 07 50 72 65 6D 69 75 6D
2 : serviceDirection : int
    00 00 00 02
5838014 : serviceOctetsPassed : unsignedLong
    00 00 00 00 00 59 14 BE
11676 : servicePktsPassed : unsignedLong
    00 00 00 00 00 00 2D 9C
58 : serviceSlaDropPkts : unsignedInt
    00 00 00 3A
1 : serviceSlaDelayPkts : unsignedInt
    00 00 00 01
2134223 : serviceTimeCreated : unsignedInt
    00 20 90 CF
926 : serviceTimeActive : unsignedInt
    00 00 03 9E

```

-->

```

<IPDR xsi:type="DOCSIS-Type">
  <CMTSHostName>cmts01.mso.com</CMTSHostName>
  <CMTSipAddress>10.40.57.11</CMTSipAddress>
  <CMTSsysUpTime>2226878</CMTSsysUpTime>
  <CMTScatvIfName>Int0/1</CMTScatvIfName>
  <CMTScatvIfIndex>456</CMTScatvIfIndex>
  <CMTSupIfName>Int/0/1/4</CMTSupIfName>
  <CMTSupIfType>205</CMTSupIfType>
  <CMTSdownIfName>int/0/1/2</CMTSdownIfName>
  <CMmacAddress>00-09-36-A7-70-89</CMmacAddress>
  <CMipAddress>55.12.48.113</CMipAddress>
  <CMdocsisMode>11</CMdocsisMode>
  <RecType>1</RecType>
  <RecCreationTime>2004-11-10T07:11:05Z</RecCreationTime>
  <serviceIdentifier>361</serviceIdentifier>
  <serviceClassName>Premium</serviceClassName>
  <serviceDirection>2</serviceDirection>
  <serviceOctetsPassed>8206860</serviceOctetsPassed>
  <servicePktsPassed>25251</servicePktsPassed>
  <serviceSlaDropPkts>126</serviceSlaDropPkts>
  <serviceSlaDelayPkts>2</serviceSlaDelayPkts>
  <serviceTimeCreated>2101322</serviceTimeCreated>

```

```

<serviceTimeActive>1256</serviceTimeActive>
</IPDR>
<!--
/* IPDR/SP 2.1 XDR encoded dataRecord in IPDR/SP DATA message */
00 00 00 0E 63 6D 74 73 30 31 2E 6D 73 6F 2E 63
6F 6D 0A 28 39 0B 00 21 FA BE 00 00 00 06 49 6E
74 30 2F 31 00 00 01 C8 00 00 00 09 49 6E 74 2F
30 2F 31 2F 34 00 00 00 CD 00 00 00 09 69 6E 74
2F 30 2F 31 2F 32 00 00 00 09 36 A7 70 89 37 0C
30 71 00 00 00 0B 00 00 00 01 00 00 00 00 41 91
BF 09 00 00 01 69 00 00 00 07 50 72 65 6D 69 75
6D 00 00 00 02 00 00 00 00 00 7D 3A 0C 00 00 00
00 00 00 62 A3 00 00 00 7E 00 00 00 02 00 20 10
4A 00 00 04 E8

```

breakdown of IPDR/SP 2.1 DOCSIS Usage Billing Records:

```

cmts01.mso.com : CMTSHostName : string
  00 00 00 0E 63 6D 74 73 30 31 2E 6D 73 6F 2E 63 6F 6D
10.40.57.11 : CMTSipAddress : ipV4Addr
  0A 28 39 0B
2226878 : CMTSsysUpTime : unsignedInt
  00 21 FA BE
Int0/1 : CMTScatVifName : string
  00 00 00 06 49 6E 74 30 2F 31
456 : CMTScatVifIndex : unsignedInt
  00 00 01 C8
Int/0/1/4 : CMTSupVifName : string
  00 00 00 09 49 6E 74 2F 30 2F 31 2F 34
205 : CMTSupVifType : int
  00 00 00 CD
int/0/1/2 : CMTSdownVifName : string
  00 00 00 09 69 6E 74 2F 30 2F 31 2F 32
00-09-36-A7-70-89 : CMmacAddress : macAddress
  00 00 00 09 36 A7 70 89
55.12.48.113 : CMipAddress : ipV4Addr
  37 0C 30 71
11 : CMdocsisMode : int
  00 00 00 0B
1 : RecType : int
  00 00 00 01
2004-11-10T07:11:05Z : RecCreationTime : dateTimeMsec
  00 00 00 00 41 91 BF 09
361 : serviceIdentifier : unsignedInt
  00 00 01 69
Premium : serviceClassName : string
  00 00 00 07 50 72 65 6D 69 75 6D
2 : serviceDirection : int
  00 00 00 02
8206860 : serviceOctetsPassed : unsignedLong
  00 00 00 00 00 7D 3A 0C
25251 : servicePktsPassed : unsignedLong
  00 00 00 00 00 00 62 A3
126 : serviceSlaDropPkts : unsignedInt
  00 00 00 7E

```

```

2 : serviceSlaDelayPkts : unsignedInt
    00 00 00 02
2101322 : serviceTimeCreated : unsignedInt
    00 20 10 4A
1256 : serviceTimeActive : unsignedInt
    00 00 04 E8

```

```

-->
<IPDR xsi:type="DOCSIS-Type">
  <CMTSHostName>cmts01.mso.com</CMTSHostName>
  <CMTSipAddress>10.40.57.11</CMTSipAddress>
  <CMTSsysUpTime>2226878</CMTSsysUpTime>
  <CMTScatvIfName>Int0/1</CMTScatvIfName>
  <CMTScatvIfIndex>456</CMTScatvIfIndex>
  <CMTSupIfName>Int/0/1/4</CMTSupIfName>
  <CMTSupIfType>205</CMTSupIfType>
  <CMTSdownIfName>int/0/1/2</CMTSdownIfName>
  <CMmacAddress>00-09-36-A7-70-89</CMmacAddress>
  <CMipAddress>55.12.48.113</CMipAddress>
  <CMdocsisMode>11</CMdocsisMode>
  <RecType>1</RecType>
  <RecCreationTime>2004-11-10T07:11:05Z</RecCreationTime>
  <serviceIdentifier>361</serviceIdentifier>
  <serviceClassName>Premium</serviceClassName>
  <serviceDirection>2</serviceDirection>
  <serviceOctetsPassed>6823177</serviceOctetsPassed>
  <servicePktsPassed>12542</servicePktsPassed>
  <serviceSlaDropPkts>62</serviceSlaDropPkts>
  <serviceSlaDelayPkts>1</serviceSlaDelayPkts>
  <serviceTimeCreated>2090623</serviceTimeCreated>
  <serviceTimeActive>1363</serviceTimeActive>
</IPDR>
  <!--
  /* IPDR/SP 2.1 XDR encoded dataRecord in IPDR/SP DATA message */
  00 00 00 0E 63 6D 74 73 30 31 2E 6D 73 6F 2E 63
  6F 6D 0A 28 39 0B 00 21 FA BE 00 00 00 06 49 6E
  74 30 2F 31 00 00 01 C8 00 00 00 09 49 6E 74 2F
  30 2F 31 2F 34 00 00 00 CD 00 00 00 09 69 6E 74
  2F 30 2F 31 2F 32 00 00 00 09 36 A7 70 89 37 0C
  30 71 00 00 00 0B 00 00 00 01 00 00 00 00 41 91
  BF 09 00 00 01 69 00 00 00 07 50 72 65 6D 69 75
  6D 00 00 00 02 00 00 00 00 00 68 1D 09 00 00 00
  00 00 00 30 FE 00 00 00 3E 00 00 00 01 00 1F E6
  7F 00 00 05 53

```

```

breakdown of IPDR/SP 2.1 DOCSIS Usage Billing Records:
cmts01.mso.com : CMTSHostName : string
    00 00 00 0E 63 6D 74 73 30 31 2E 6D 73 6F 2E 63 6F 6D
10.40.57.11 : CMTSipAddress : ipV4Addr
    0A 28 39 0B
2226878 : CMTSsysUpTime : unsignedInt
    00 21 FA BE
Int0/1 : CMTScatvIfName : string
    00 00 00 06 49 6E 74 30 2F 31

```

456 : CMTScatvIfIndex : unsignedInt  
 00 00 01 C8  
 Int/0/1/4 : CMTSupIfName : string  
 00 00 00 09 49 6E 74 2F 30 2F 31 2F 34  
 205 : CMTSupIfType : int  
 00 00 00 CD  
 int/0/1/2 : CMTSdownIfName : string  
 00 00 00 09 69 6E 74 2F 30 2F 31 2F 32  
 00-09-36-A7-70-89 : CMmacAddress : macAddress  
 00 00 00 09 36 A7 70 89  
 55.12.48.113 : CMipAddress : ipV4Addr  
 37 0C 30 71  
 11 : CMdocsisMode : int  
 00 00 00 0B  
 1 : RecType : int  
 00 00 00 01  
 2004-11-10T07:11:05Z : RecCreationTime : dateTimeMsec  
 00 00 00 00 41 91 BF 09  
 361 : serviceIdentifier : unsignedInt  
 00 00 01 69  
 Premium : serviceClassName : string  
 00 00 00 07 50 72 65 6D 69 75 6D  
 2 : serviceDirection : int  
 00 00 00 02  
 6823177 : serviceOctetsPassed : unsignedLong  
 00 00 00 00 00 68 1D 09  
 12542 : servicePktsPassed : unsignedLong  
 00 00 00 00 00 00 30 FE  
 62 : serviceSlaDropPkts : unsignedInt  
 00 00 00 3E  
 1 : serviceSlaDelayPkts : unsignedInt  
 00 00 00 01  
 2090623 : serviceTimeCreated : unsignedInt  
 00 1F E6 7F  
 1363 : serviceTimeActive : unsignedInt  
 00 00 05 53

-->

```

<IPDR xsi:type="DOCSIS-Type">
  <CMTSHostName>cmts01.mso.com</CMTSHostName>
  <CMTSipAddress>10.40.57.11</CMTSipAddress>
  <CMTSsysUpTime>2226878</CMTSsysUpTime>
  <CMTScatvIfName>Int0/1</CMTScatvIfName>
  <CMTScatvIfIndex>456</CMTScatvIfIndex>
  <CMTSupIfName>Int/0/1/4</CMTSupIfName>
  <CMTSupIfType>205</CMTSupIfType>
  <CMTSdownIfName>int/0/1/2</CMTSdownIfName>
  <CMmacAddress>00-09-36-A7-70-89</CMmacAddress>
  <CMipAddress>55.12.48.113</CMipAddress>
  <CMdocsisMode>11</CMdocsisMode>
  <RecType>1</RecType>
  <RecCreationTime>2004-11-10T07:11:05Z</RecCreationTime>
  <serviceIdentifier>361</serviceIdentifier>
  <serviceClassName>Premium</serviceClassName>
  
```

```

<serviceDirection>2</serviceDirection>
<serviceOctetsPassed>533474</serviceOctetsPassed>
<servicePktsPassed>1172</servicePktsPassed>
<serviceSlaDropPkts>5</serviceSlaDropPkts>
<serviceSlaDelayPkts>0</serviceSlaDelayPkts>
<serviceTimeCreated>2219623</serviceTimeCreated>
<serviceTimeActive>72</serviceTimeActive>
</IPDR>
  <!--
  /* IPDR/SP 2.1 XDR encoded dataRecord in IPDR/SP DATA message */
  00 00 00 0E 63 6D 74 73 30 31 2E 6D 73 6F 2E 63
  6F 6D 0A 28 39 0B 00 21 FA BE 00 00 00 06 49 6E
  74 30 2F 31 00 00 01 C8 00 00 00 09 49 6E 74 2F
  30 2F 31 2F 34 00 00 00 CD 00 00 00 09 69 6E 74
  2F 30 2F 31 2F 32 00 00 00 09 36 A7 70 89 37 0C
  30 71 00 00 00 0B 00 00 00 01 00 00 00 00 41 91
  BF 09 00 00 01 69 00 00 00 07 50 72 65 6D 69 75
  6D 00 00 00 02 00 00 00 00 00 08 23 E2 00 00 00
  00 00 00 04 94 00 00 00 05 00 00 00 00 00 21 DE
  67 00 00 00 48

  breakdown of IPDR/SP 2.1 DOCSIS Usage Billing Records:
  cmts01.mso.com : CMTSHostName : string
    00 00 00 0E 63 6D 74 73 30 31 2E 6D 73 6F 2E 63 6F 6D
  10.40.57.11 : CMTSipAddress : ipV4Addr
    0A 28 39 0B
  2226878 : CMTSsysUpTime : unsignedInt
    00 21 FA BE
  Int0/1 : CMTScatvIfName : string
    00 00 00 06 49 6E 74 30 2F 31
  456 : CMTScatvIfIndex : unsignedInt
    00 00 01 C8
  Int0/1/4 : CMTSupIfName : string
    00 00 00 09 49 6E 74 2F 30 2F 31 2F 34
  205 : CMTSupIfType : int
    00 00 00 CD
  int0/1/2 : CMTSdownIfName : string
    00 00 00 09 69 6E 74 2F 30 2F 31 2F 32
  00-09-36-A7-70-89 : CMmacAddress : macAddress
    00 00 00 09 36 A7 70 89
  55.12.48.113 : CMipAddress : ipV4Addr
    37 0C 30 71
  11 : CMdocsisMode : int
    00 00 00 0B
  1 : RecType : int
    00 00 00 01
  2004-11-10T07:11:05Z : RecCreationTime : dateTimeMsec
    00 00 00 00 41 91 BF 09
  361 : serviceIdentifier : unsignedInt
    00 00 01 69
  Premium : serviceClassName : string
    00 00 00 07 50 72 65 6D 69 75 6D
  2 : serviceDirection : int
    00 00 00 02

```

```

533474 : serviceOctetsPassed : unsignedLong
    00 00 00 00 00 08 23 E2
1172 : servicePktsPassed : unsignedLong
    00 00 00 00 00 00 04 94
5 : serviceSlaDropPkts : unsignedInt
    00 00 00 05
0 : serviceSlaDelayPkts : unsignedInt
    00 00 00 00
2219623 : serviceTimeCreated : unsignedInt
    00 21 DE 67
72 : serviceTimeActive : unsignedInt
    00 00 00 48

```

```
-->
```

```

<IPDR xsi:type="DOCSIS-Type">
  <CMTSHostName>cmts01.mso.com</CMTSHostName>
  <CMTSipAddress>10.40.57.11</CMTSipAddress>
  <CMTSsysUpTime>2226878</CMTSsysUpTime>
  <CMTScatvIfName>Int0/1</CMTScatvIfName>
  <CMTScatvIfIndex>456</CMTScatvIfIndex>
  <CMTSupIfName>Int/0/1/4</CMTSupIfName>
  <CMTSupIfType>205</CMTSupIfType>
  <CMTSdownIfName>int/0/1/2</CMTSdownIfName>
  <CMmacAddress>00-09-36-A7-70-89</CMmacAddress>
  <CMipAddress>55.12.48.113</CMipAddress>
  <CMdocsisMode>11</CMdocsisMode>
  <RecType>1</RecType>
  <RecCreationTime>2004-11-10T07:11:05Z</RecCreationTime>
  <serviceIdentifier>361</serviceIdentifier>
  <serviceClassName>Premium</serviceClassName>
  <serviceDirection>2</serviceDirection>
  <serviceOctetsPassed>8417721</serviceOctetsPassed>
  <servicePktsPassed>26808</servicePktsPassed>
  <serviceSlaDropPkts>134</serviceSlaDropPkts>
  <serviceSlaDelayPkts>2</serviceSlaDelayPkts>
  <serviceTimeCreated>2078222</serviceTimeCreated>
  <serviceTimeActive>1487</serviceTimeActive>
</IPDR>
  <!--
  /* IPDR/SP 2.1 XDR encoded dataRecord in IPDR/SP DATA message */
  00 00 00 0E 63 6D 74 73 30 31 2E 6D 73 6F 2E 63
  6F 6D 0A 28 39 0B 00 21 FA BE 00 00 00 06 49 6E
  74 30 2F 31 00 00 01 C8 00 00 00 09 49 6E 74 2F
  30 2F 31 2F 34 00 00 00 CD 00 00 00 09 69 6E 74
  2F 30 2F 31 2F 32 00 00 00 09 36 A7 70 89 37 0C
  30 71 00 00 00 0B 00 00 00 01 00 00 00 00 41 91
  BF 09 00 00 01 69 00 00 00 07 50 72 65 6D 69 75
  6D 00 00 00 02 00 00 00 00 00 80 71 B9 00 00 00
  00 00 00 68 B8 00 00 00 86 00 00 00 02 00 1F B6
  0E 00 00 05 CF

```

```

breakdown of IPDR/SP 2.1 DOCSIS Usage Billing Records:
cmts01.mso.com : CMTSHostName : string
    00 00 00 0E 63 6D 74 73 30 31 2E 6D 73 6F 2E 63 6F 6D

```

10.40.57.11 : CMTSipAddress : ipV4Addr  
0A 28 39 0B  
2226878 : CMTSsysUpTime : unsignedInt  
00 21 FA BE  
Int0/1 : CMTScatvIfName : string  
00 00 00 06 49 6E 74 30 2F 31  
456 : CMTScatvIfIndex : unsignedInt  
00 00 01 C8  
Int/0/1/4 : CMTSupIfName : string  
00 00 00 09 49 6E 74 2F 30 2F 31 2F 34  
205 : CMTSupIfType : int  
00 00 00 CD  
int/0/1/2 : CMTSdownIfName : string  
00 00 00 09 69 6E 74 2F 30 2F 31 2F 32  
00-09-36-A7-70-89 : CMmacAddress : macAddress  
00 00 00 09 36 A7 70 89  
55.12.48.113 : CMipAddress : ipV4Addr  
37 0C 30 71  
11 : CMdocsisMode : int  
00 00 00 0B  
1 : RecType : int  
00 00 00 01  
2004-11-10T07:11:05Z : RecCreationTime : dateTimeMsec  
00 00 00 00 41 91 BF 09  
361 : serviceIdentifier : unsignedInt  
00 00 01 69  
Premium : serviceClassName : string  
00 00 00 07 50 72 65 6D 69 75 6D  
2 : serviceDirection : int  
00 00 00 02  
8417721 : serviceOctetsPassed : unsignedLong  
00 00 00 00 00 80 71 B9  
26808 : servicePktsPassed : unsignedLong  
00 00 00 00 00 00 68 B8  
134 : serviceSlaDropPkts : unsignedInt  
00 00 00 86  
2 : serviceSlaDelayPkts : unsignedInt  
00 00 00 02  
2078222 : serviceTimeCreated : unsignedInt  
00 1F B6 0E  
1487 : serviceTimeActive : unsignedInt  
00 00 05 CF

-->

```
<IPDR xsi:type="DOCSIS-Type">
  <CMTSHostName>cmts01.mso.com</CMTSHostName>
  <CMTSipAddress>10.40.57.11</CMTSipAddress>
  <CMTSsysUpTime>2226878</CMTSsysUpTime>
  <CMTScatvIfName>Int0/1</CMTScatvIfName>
  <CMTScatvIfIndex>456</CMTScatvIfIndex>
  <CMTSupIfName>Int/0/1/4</CMTSupIfName>
  <CMTSupIfType>205</CMTSupIfType>
  <CMTSdownIfName>int/0/1/2</CMTSdownIfName>
  <CMmacAddress>00-09-36-A7-70-89</CMmacAddress>
```

```

<CMipAddress>55.12.48.113</CMipAddress>
<CMdocsisMode>11</CMdocsisMode>
<RecType>1</RecType>
<RecCreationTime>2004-11-10T07:11:05Z</RecCreationTime>
<serviceIdentifier>361</serviceIdentifier>
<serviceName>Premium</serviceName>
<serviceDirection>2</serviceDirection>
<serviceOctetsPassed>14839335</serviceOctetsPassed>
<servicePktsPassed>27178</servicePktsPassed>
<serviceSlaDropPkts>135</serviceSlaDropPkts>
<serviceSlaDelayPkts>2</serviceSlaDelayPkts>
<serviceTimeCreated>2100923</serviceTimeCreated>
<serviceTimeActive>1260</serviceTimeActive>
</IPDR>
<!--
/* IPDR/SP 2.1 XDR encoded dataRecord in IPDR/SP DATA message */
00 00 00 0E 63 6D 74 73 30 31 2E 6D 73 6F 2E 63
6F 6D 0A 28 39 0B 00 21 FA BE 00 00 00 06 49 6E
74 30 2F 31 00 00 01 C8 00 00 00 09 49 6E 74 2F
30 2F 31 2F 34 00 00 00 CD 00 00 00 09 69 6E 74
2F 30 2F 31 2F 32 00 00 00 09 36 A7 70 89 37 0C
30 71 00 00 00 0B 00 00 00 01 00 00 00 00 41 91
BF 09 00 00 01 69 00 00 00 07 50 72 65 6D 69 75
6D 00 00 00 02 00 00 00 00 00 E2 6E 27 00 00 00
00 00 00 6A 2A 00 00 00 87 00 00 00 02 00 20 0E
BB 00 00 04 EC

```

breakdown of IPDR/SP 2.1 DOCSIS Usage Billing Records:

```

cmts01.mso.com : CMTSHostName : string
  00 00 00 0E 63 6D 74 73 30 31 2E 6D 73 6F 2E 63 6F 6D
10.40.57.11 : CMTSipAddress : ipV4Addr
  0A 28 39 0B
2226878 : CMTSsysUpTime : unsignedInt
  00 21 FA BE
Int0/1 : CMTScatvIfName : string
  00 00 00 06 49 6E 74 30 2F 31
456 : CMTScatvIfIndex : unsignedInt
  00 00 01 C8
Int/0/1/4 : CMTSupIfName : string
  00 00 00 09 49 6E 74 2F 30 2F 31 2F 34
205 : CMTSupIfType : int
  00 00 00 CD
int/0/1/2 : CMTSdownIfName : string
  00 00 00 09 69 6E 74 2F 30 2F 31 2F 32
00-09-36-A7-70-89 : CMmacAddress : macAddress
  00 00 00 09 36 A7 70 89
55.12.48.113 : CMipAddress : ipV4Addr
  37 0C 30 71
11 : CMdocsisMode : int
  00 00 00 0B
1 : RecType : int
  00 00 00 01
2004-11-10T07:11:05Z : RecCreationTime : dateTimeMsec
  00 00 00 00 41 91 BF 09

```

```

361 : serviceIdentifier : unsignedInt
    00 00 01 69
Premium : serviceClassName : string
    00 00 00 07 50 72 65 6D 69 75 6D
2 : serviceDirection : int
    00 00 00 02
14839335 : serviceOctetsPassed : unsignedLong
    00 00 00 00 00 E2 6E 27
27178 : servicePktsPassed : unsignedLong
    00 00 00 00 00 00 6A 2A
135 : serviceSlaDropPkts : unsignedInt
    00 00 00 87
2 : serviceSlaDelayPkts : unsignedInt
    00 00 00 02
2100923 : serviceTimeCreated : unsignedInt
    00 20 0E BB
1260 : serviceTimeActive : unsignedInt
    00 00 04 EC

-->
<IPDR xsi:type="DOCSIS-Type">
  <CMTSHostName>cmts01.mso.com</CMTSHostName>
  <CMTSipAddress>10.40.57.11</CMTSipAddress>
  <CMTSsysUpTime>2226878</CMTSsysUpTime>
  <CMTScatvIfName>Int0/1</CMTScatvIfName>
  <CMTScatvIfIndex>456</CMTScatvIfIndex>
  <CMTSupIfName>Int/0/1/4</CMTSupIfName>
  <CMTSupIfType>205</CMTSupIfType>
  <CMTSdownIfName>int/0/1/2</CMTSdownIfName>
  <CMmacAddress>00-09-36-A7-70-89</CMmacAddress>
  <CMipAddress>55.12.48.113</CMipAddress>
  <CMdocsisMode>11</CMdocsisMode>
  <RecType>1</RecType>
  <RecCreationTime>2004-11-10T07:11:05Z</RecCreationTime>
  <serviceIdentifier>361</serviceIdentifier>
  <serviceClassName>Premium</serviceClassName>
  <serviceDirection>2</serviceDirection>
  <serviceOctetsPassed>9812998</serviceOctetsPassed>
  <servicePktsPassed>25097</servicePktsPassed>
  <serviceSlaDropPkts>125</serviceSlaDropPkts>
  <serviceSlaDelayPkts>2</serviceSlaDelayPkts>
  <serviceTimeCreated>2132421</serviceTimeCreated>
  <serviceTimeActive>944</serviceTimeActive>
</IPDR>
  <!--
  /* IPDR/SP 2.1 XDR encoded dataRecord in IPDR/SP DATA message */
  00 00 00 0E 63 6D 74 73 30 31 2E 6D 73 6F 2E 63
  6F 6D 0A 28 39 0B 00 21 FA BE 00 00 00 06 49 6E
  74 30 2F 31 00 00 01 C8 00 00 00 09 49 6E 74 2F
  30 2F 31 2F 34 00 00 00 CD 00 00 00 09 69 6E 74
  2F 30 2F 31 2F 32 00 00 00 09 36 A7 70 89 37 0C
  30 71 00 00 00 0B 00 00 00 01 00 00 00 00 41 91
  BF 09 00 00 01 69 00 00 00 07 50 72 65 6D 69 75
  6D 00 00 00 02 00 00 00 00 00 95 BC 06 00 00 00

```

00 00 00 62 09 00 00 00 7D 00 00 00 02 00 20 89  
C5 00 00 03 B0

breakdown of IPDR/SP 2.1 DOCSIS Usage Billing Records:

cmts01.mso.com : CMTSHostName : string  
00 00 00 0E 63 6D 74 73 30 31 2E 6D 73 6F 2E 63 6F 6D  
10.40.57.11 : CMTSipAddress : ipV4Addr  
0A 28 39 0B  
2226878 : CMTSsysUpTime : unsignedInt  
00 21 FA BE  
Int0/1 : CMTScatvIfName : string  
00 00 00 06 49 6E 74 30 2F 31  
456 : CMTScatvIfIndex : unsignedInt  
00 00 01 C8  
Int/0/1/4 : CMTSupIfName : string  
00 00 00 09 49 6E 74 2F 30 2F 31 2F 34  
205 : CMTSupIfType : int  
00 00 00 CD  
int/0/1/2 : CMTSdownIfName : string  
00 00 00 09 69 6E 74 2F 30 2F 31 2F 32  
00-09-36-A7-70-89 : CMmacAddress : macAddress  
00 00 00 09 36 A7 70 89  
55.12.48.113 : CMipAddress : ipV4Addr  
37 0C 30 71  
11 : CMdocsisMode : int  
00 00 00 0B  
1 : RecType : int  
00 00 00 01  
2004-11-10T07:11:05Z : RecCreationTime : dateTimeMsec  
00 00 00 00 41 91 BF 09  
361 : serviceIdentifier : unsignedInt  
00 00 01 69  
Premium : serviceClassName : string  
00 00 00 07 50 72 65 6D 69 75 6D  
2 : serviceDirection : int  
00 00 00 02  
9812998 : serviceOctetsPassed : unsignedLong  
00 00 00 00 00 95 BC 06  
25097 : servicePktsPassed : unsignedLong  
00 00 00 00 00 00 62 09  
125 : serviceSlaDropPkts : unsignedInt  
00 00 00 7D  
2 : serviceSlaDelayPkts : unsignedInt  
00 00 00 02  
2132421 : serviceTimeCreated : unsignedInt  
00 20 89 C5  
944 : serviceTimeActive : unsignedInt  
00 00 03 B0

-->

```
<IPDR xsi:type="DOCSIS-Type">
  <CMTSHostName>cmts01.mso.com</CMTSHostName>
  <CMTSipAddress>10.40.57.11</CMTSipAddress>
  <CMTSsysUpTime>2226878</CMTSsysUpTime>
```

```

<CMTScatvIfName>Int0/1</CMTScatvIfName>
<CMTScatvIfIndex>456</CMTScatvIfIndex>
<CMTSupIfName>Int/0/1/4</CMTSupIfName>
<CMTSupIfType>205</CMTSupIfType>
<CMTSdownIfName>int/0/1/2</CMTSdownIfName>
<CMmacAddress>00-09-36-A7-70-89</CMmacAddress>
<CMipAddress>55.12.48.113</CMipAddress>
<CMdocsisMode>11</CMdocsisMode>
<RecType>1</RecType>
<RecCreationTime>2004-11-10T07:11:05Z</RecCreationTime>
<serviceIdentifier>361</serviceIdentifier>
<serviceClassName>Premium</serviceClassName>
<serviceDirection>2</serviceDirection>
<serviceOctetsPassed>15215915</serviceOctetsPassed>
<servicePktsPassed>45969</servicePktsPassed>
<serviceSlaDropPkts>229</serviceSlaDropPkts>
<serviceSlaDelayPkts>4</serviceSlaDelayPkts>
<serviceTimeCreated>2091723</serviceTimeCreated>
<serviceTimeActive>1352</serviceTimeActive>
</IPDR>
<!--
/* IPDR/SP 2.1 XDR encoded dataRecord in IPDR/SP DATA message */
00 00 00 0E 63 6D 74 73 30 31 2E 6D 73 6F 2E 63
6F 6D 0A 28 39 0B 00 21 FA BE 00 00 00 06 49 6E
74 30 2F 31 00 00 01 C8 00 00 00 09 49 6E 74 2F
30 2F 31 2F 34 00 00 00 CD 00 00 00 09 69 6E 74
2F 30 2F 31 2F 32 00 00 00 09 36 A7 70 89 37 0C
30 71 00 00 00 0B 00 00 00 01 00 00 00 00 41 91
BF 09 00 00 01 69 00 00 00 07 50 72 65 6D 69 75
6D 00 00 00 02 00 00 00 00 00 E8 2D 2B 00 00 00
00 00 00 B3 91 00 00 00 E5 00 00 00 04 00 1F EA
CB 00 00 05 48

breakdown of IPDR/SP 2.1 DOCSIS Usage Billing Records:
cmts01.mso.com : CMTSHostName : string
  00 00 00 0E 63 6D 74 73 30 31 2E 6D 73 6F 2E 63 6F 6D
10.40.57.11 : CMTSipAddress : ipV4Addr
  0A 28 39 0B
2226878 : CMTSsysUpTime : unsignedInt
  00 21 FA BE
Int0/1 : CMTScatvIfName : string
  00 00 00 06 49 6E 74 30 2F 31
456 : CMTScatvIfIndex : unsignedInt
  00 00 01 C8
Int/0/1/4 : CMTSupIfName : string
  00 00 00 09 49 6E 74 2F 30 2F 31 2F 34
205 : CMTSupIfType : int
  00 00 00 CD
int/0/1/2 : CMTSdownIfName : string
  00 00 00 09 69 6E 74 2F 30 2F 31 2F 32
00-09-36-A7-70-89 : CMmacAddress : macAddress
  00 00 00 09 36 A7 70 89
55.12.48.113 : CMipAddress : ipV4Addr
  37 0C 30 71

```

```

11 : CMdocsisMode : int
    00 00 00 0B
1 : RecType : int
    00 00 00 01
2004-11-10T07:11:05Z : RecCreationTime : dateTimeMsec
    00 00 00 00 41 91 BF 09
361 : serviceIdentifier : unsignedInt
    00 00 01 69
Premium : serviceClassName : string
    00 00 00 07 50 72 65 6D 69 75 6D
2 : serviceDirection : int
    00 00 00 02
15215915 : serviceOctetsPassed : unsignedLong
    00 00 00 00 00 E8 2D 2B
45969 : servicePktsPassed : unsignedLong
    00 00 00 00 00 00 B3 91
229 : serviceSlaDropPkts : unsignedInt
    00 00 00 E5
4 : serviceSlaDelayPkts : unsignedInt
    00 00 00 04
2091723 : serviceTimeCreated : unsignedInt
    00 1F EA CB
1352 : serviceTimeActive : unsignedInt
    00 00 05 48

-->
<IPDR xsi:type="DOCSIS-Type">
  <CMTSHostName>cmts01.mso.com</CMTSHostName>
  <CMTSipAddress>10.40.57.11</CMTSipAddress>
  <CMTSsysUpTime>2226878</CMTSsysUpTime>
  <CMTScatvIfName>Int0/1</CMTScatvIfName>
  <CMTScatvIfIndex>456</CMTScatvIfIndex>
  <CMTSupIfName>Int/0/1/4</CMTSupIfName>
  <CMTSupIfType>205</CMTSupIfType>
  <CMTSdownIfName>int/0/1/2</CMTSdownIfName>
  <CMmacAddress>00-09-36-A7-70-89</CMmacAddress>
  <CMipAddress>55.12.48.113</CMipAddress>
  <CMdocsisMode>11</CMdocsisMode>
  <RecType>1</RecType>
  <RecCreationTime>2004-11-10T07:11:05Z</RecCreationTime>
  <serviceIdentifier>361</serviceIdentifier>
  <serviceClassName>Premium</serviceClassName>
  <serviceDirection>2</serviceDirection>
  <serviceOctetsPassed>1195458</serviceOctetsPassed>
  <servicePktsPassed>2303</servicePktsPassed>
  <serviceSlaDropPkts>11</serviceSlaDropPkts>
  <serviceSlaDelayPkts>0</serviceSlaDelayPkts>
  <serviceTimeCreated>2210723</serviceTimeCreated>
  <serviceTimeActive>161</serviceTimeActive>
</IPDR>
  <!--
  /* IPDR/SP 2.1 XDR encoded dataRecord in IPDR/SP DATA message */
  00 00 00 0E 63 6D 74 73 30 31 2E 6D 73 6F 2E 63
  6F 6D 0A 28 39 0B 00 21 FA BE 00 00 00 06 49 6E

```

74 30 2F 31 00 00 01 C8 00 00 00 09 49 6E 74 2F  
30 2F 31 2F 34 00 00 00 CD 00 00 00 09 69 6E 74  
2F 30 2F 31 2F 32 00 00 00 09 36 A7 70 89 37 0C  
30 71 00 00 00 0B 00 00 00 01 00 00 00 00 41 91  
BF 09 00 00 01 69 00 00 00 07 50 72 65 6D 69 75  
6D 00 00 00 02 00 00 00 00 00 12 3D C2 00 00 00  
00 00 00 08 FF 00 00 00 0B 00 00 00 00 00 21 BB  
A3 00 00 00 A1

breakdown of IPDR/SP 2.1 DOCSIS Usage Billing Records:

cmts01.mso.com : CMTSHostName : string  
00 00 00 0E 63 6D 74 73 30 31 2E 6D 73 6F 2E 63 6F 6D  
10.40.57.11 : CMTSipAddress : ipV4Addr  
0A 28 39 0B  
2226878 : CMTSsysUpTime : unsignedInt  
00 21 FA BE  
Int0/1 : CMTScatvIfName : string  
00 00 00 06 49 6E 74 30 2F 31  
456 : CMTScatvIfIndex : unsignedInt  
00 00 01 C8  
Int/0/1/4 : CMTSupIfName : string  
00 00 00 09 49 6E 74 2F 30 2F 31 2F 34  
205 : CMTSupIfType : int  
00 00 00 CD  
int/0/1/2 : CMTSdownIfName : string  
00 00 00 09 69 6E 74 2F 30 2F 31 2F 32  
00-09-36-A7-70-89 : CMmacAddress : macAddress  
00 00 00 09 36 A7 70 89  
55.12.48.113 : CMipAddress : ipV4Addr  
37 0C 30 71  
11 : CMdocsisMode : int  
00 00 00 0B  
1 : RecType : int  
00 00 00 01  
2004-11-10T07:11:05Z : RecCreationTime : dateTimeMsec  
00 00 00 00 41 91 BF 09  
361 : serviceIdentifier : unsignedInt  
00 00 01 69  
Premium : serviceClassName : string  
00 00 00 07 50 72 65 6D 69 75 6D  
2 : serviceDirection : int  
00 00 00 02  
1195458 : serviceOctetsPassed : unsignedLong  
00 00 00 00 00 12 3D C2  
2303 : servicePktsPassed : unsignedLong  
00 00 00 00 00 00 08 FF  
11 : serviceSlaDropPkts : unsignedInt  
00 00 00 0B  
0 : serviceSlaDelayPkts : unsignedInt  
00 00 00 00  
2210723 : serviceTimeCreated : unsignedInt  
00 21 BB A3  
161 : serviceTimeActive : unsignedInt  
00 00 00 A1

```

-->
<IPDR xsi:type="DOCSIS-Type">
  <CMTSHostName>cmts01.mso.com</CMTSHostName>
  <CMTSIPAddress>10.40.57.11</CMTSIPAddress>
  <CMTSsysUpTime>2226878</CMTSsysUpTime>
  <CMTScatvIfName>Int0/1</CMTScatvIfName>
  <CMTScatvIfIndex>456</CMTScatvIfIndex>
  <CMTSupIfName>Int/0/1/4</CMTSupIfName>
  <CMTSupIfType>205</CMTSupIfType>
  <CMTSdownIfName>int/0/1/2</CMTSdownIfName>
  <CMmacAddress>00-09-36-A7-70-89</CMmacAddress>
  <CMipAddress>55.12.48.113</CMipAddress>
  <CMdocsisMode>11</CMdocsisMode>
  <RecType>1</RecType>
  <RecCreationTime>2004-11-10T07:11:05Z</RecCreationTime>
  <serviceIdentifier>361</serviceIdentifier>
  <serviceClassName>Premium</serviceClassName>
  <serviceDirection>2</serviceDirection>
  <serviceOctetsPassed>53838187</serviceOctetsPassed>
  <servicePktsPassed>163146</servicePktsPassed>
  <serviceSlaDropPkts>815</serviceSlaDropPkts>
  <serviceSlaDelayPkts>16</serviceSlaDelayPkts>
  <serviceTimeCreated>1547223</serviceTimeCreated>
  <serviceTimeActive>6797</serviceTimeActive>
</IPDR>
  <!--
  /* IPDR/SP 2.1 XDR encoded dataRecord in IPDR/SP DATA message */
  00 00 00 0E 63 6D 74 73 30 31 2E 6D 73 6F 2E 63
  6F 6D 0A 28 39 0B 00 21 FA BE 00 00 00 06 49 6E
  74 30 2F 31 00 00 01 C8 00 00 00 09 49 6E 74 2F
  30 2F 31 2F 34 00 00 00 CD 00 00 00 09 69 6E 74
  2F 30 2F 31 2F 32 00 00 00 09 36 A7 70 89 37 0C
  30 71 00 00 00 0B 00 00 00 01 00 00 00 00 41 91
  BF 09 00 00 01 69 00 00 00 07 50 72 65 6D 69 75
  6D 00 00 00 02 00 00 00 00 03 35 81 6B 00 00 00
  00 00 02 7D 4A 00 00 03 2F 00 00 00 10 00 17 9B
  D7 00 00 1A 8D

  breakdown of IPDR/SP 2.1 DOCSIS Usage Billing Records:
  cmts01.mso.com : CMTSHostName : string
    00 00 00 0E 63 6D 74 73 30 31 2E 6D 73 6F 2E 63 6F 6D
  10.40.57.11 : CMTSIPAddress : ipV4Addr
    0A 28 39 0B
  2226878 : CMTSsysUpTime : unsignedInt
    00 21 FA BE
  Int0/1 : CMTScatvIfName : string
    00 00 00 06 49 6E 74 30 2F 31
  456 : CMTScatvIfIndex : unsignedInt
    00 00 01 C8
  Int/0/1/4 : CMTSupIfName : string
    00 00 00 09 49 6E 74 2F 30 2F 31 2F 34
  205 : CMTSupIfType : int
    00 00 00 CD

```

```

int/0/1/2 : CMTSdownIfName : string
  00 00 00 09 69 6E 74 2F 30 2F 31 2F 32
00-09-36-A7-70-89 : CMmacAddress : macAddress
  00 00 00 09 36 A7 70 89
55.12.48.113 : CMipAddress : ipV4Addr
  37 0C 30 71
11 : CMdocsisMode : int
  00 00 00 0B
1 : RecType : int
  00 00 00 01
2004-11-10T07:11:05Z : RecCreationTime : dateTimeMsec
  00 00 00 00 41 91 BF 09
361 : serviceIdentifier : unsignedInt
  00 00 01 69
Premium : serviceClassName : string
  00 00 00 07 50 72 65 6D 69 75 6D
2 : serviceDirection : int
00 00 00 02
53838187 : serviceOctetsPassed : unsignedLong
  00 00 00 00 03 35 81 6B
163146 : servicePktsPassed : unsignedLong
  00 00 00 00 00 02 7D 4A
815 : serviceSlaDropPkts : unsignedInt
  00 00 03 2F
16 : serviceSlaDelayPkts : unsignedInt
  00 00 00 10
1547223 : serviceTimeCreated : unsignedInt
  00 17 9B D7
6797 : serviceTimeActive : unsignedInt
  00 00 1A 8D

-->
<IPDR xsi:type="DOCSIS-Type">
  <CMTSHostName>cmts01.mso.com</CMTSHostName>
  <CMTSipAddress>10.40.57.11</CMTSipAddress>
  <CMTSsysUpTime>2226878</CMTSsysUpTime>
  <CMTScatvIfName>Int0/1</CMTScatvIfName>
  <CMTScatvIfIndex>456</CMTScatvIfIndex>
  <CMTSupIfName>Int/0/1/4</CMTSupIfName>
  <CMTSupIfType>205</CMTSupIfType>
  <CMTSdownIfName>int/0/1/2</CMTSdownIfName>
  <CMmacAddress>00-09-36-A7-70-89</CMmacAddress>
  <CMipAddress>55.12.48.113</CMipAddress>
  <CMdocsisMode>11</CMdocsisMode>
  <RecType>1</RecType>
  <RecCreationTime>2004-11-10T07:11:05Z</RecCreationTime>
  <serviceIdentifier>361</serviceIdentifier>
  <serviceClassName>Premium</serviceClassName>
  <serviceDirection>2</serviceDirection>
  <serviceOctetsPassed>54195270</serviceOctetsPassed>
  <servicePktsPassed>128121</servicePktsPassed>
  <serviceSlaDropPkts>640</serviceSlaDropPkts>
  <serviceSlaDelayPkts>12</serviceSlaDelayPkts>
  <serviceTimeCreated>1832223</serviceTimeCreated>

```

```

<serviceTimeActive>3947</serviceTimeActive>
</IPDR>
  <!--
  /* IPDR/SP 2.1 XDR encoded dataRecord in IPDR/SP DATA message */
  00 00 00 0E 63 6D 74 73 30 31 2E 6D 73 6F 2E 63
  6F 6D 0A 28 39 0B 00 21 FA BE 00 00 00 06 49 6E
  74 30 2F 31 00 00 01 C8 00 00 00 09 49 6E 74 2F
  30 2F 31 2F 34 00 00 00 CD 00 00 00 09 69 6E 74
  2F 30 2F 31 2F 32 00 00 00 09 36 A7 70 89 37 0C
  30 71 00 00 00 0B 00 00 00 01 00 00 00 00 41 91
  BF 09 00 00 01 69 00 00 00 07 50 72 65 6D 69 75
  6D 00 00 00 02 00 00 00 00 03 3A F4 46 00 00 00
  00 00 01 F4 79 00 00 02 80 00 00 00 0C 00 1B F5
  1F 00 00 0F 6B

```

breakdown of IPDR/SP 2.1 DOCSIS Usage Billing Records:

```

cmts01.mso.com : CMTSHostName : string
  00 00 00 0E 63 6D 74 73 30 31 2E 6D 73 6F 2E 63 6F 6D
10.40.57.11 : CMTSipAddress : ipv4Addr
  0A 28 39 0B
2226878 : CMTSsysUpTime : unsignedInt
  00 21 FA BE
Int0/1 : CMTScatvIfName : string
  00 00 00 06 49 6E 74 30 2F 31
456 : CMTScatvIfIndex : unsignedInt
  00 00 01 C8
Int/0/1/4 : CMTSupIfName : string
  00 00 00 09 49 6E 74 2F 30 2F 31 2F 34
205 : CMTSupIfType : int
  00 00 00 CD
int/0/1/2 : CMTSdownIfName : string
  00 00 00 09 69 6E 74 2F 30 2F 31 2F 32
00-09-36-A7-70-89 : CMmacAddress : macAddress
  00 00 00 09 36 A7 70 89
55.12.48.113 : CMipAddress : ipv4Addr
  37 0C 30 71
11 : CMdocsisMode : int
  00 00 00 0B
1 : RecType : int
  00 00 00 01
2004-11-10T07:11:05Z : RecCreationTime : dateTimeMsec
  00 00 00 00 41 91 BF 09
361 : serviceIdentifier : unsignedInt
  00 00 01 69
Premium : serviceClassName : string
  00 00 00 07 50 72 65 6D 69 75 6D
2 : serviceDirection : int
  00 00 00 02
54195270 : serviceOctetsPassed : unsignedLong
  00 00 00 00 03 3A F4 46
128121 : servicePktsPassed : unsignedLong
  00 00 00 00 00 01 F4 79
640 : serviceSlaDropPkts : unsignedInt
  00 00 02 80

```

```

12 : serviceSlaDelayPkts : unsignedInt
    00 00 00 0C
1832223 : serviceTimeCreated : unsignedInt
    00 1B F5 1F
3947 : serviceTimeActive : unsignedInt
    00 00 0F 6B

```

```

-->
<IPDR xsi:type="DOCSIS-Type">
  <CMTSHostName>cmts01.mso.com</CMTSHostName>
  <CMTSipAddress>10.40.57.11</CMTSipAddress>
  <CMTSsysUpTime>2226878</CMTSsysUpTime>
  <CMTScatvIfName>Int0/1</CMTScatvIfName>
  <CMTScatvIfIndex>456</CMTScatvIfIndex>
  <CMTSupIfName>Int/0/1/4</CMTSupIfName>
  <CMTSupIfType>205</CMTSupIfType>
  <CMTSdownIfName>int/0/1/2</CMTSdownIfName>
  <CMmacAddress>00-09-36-A7-70-89</CMmacAddress>
  <CMipAddress>55.12.48.113</CMipAddress>
  <CMdocsisMode>11</CMdocsisMode>
  <RecType>1</RecType>
  <RecCreationTime>2004-11-10T07:11:05Z</RecCreationTime>
  <serviceIdentifier>361</serviceIdentifier>
  <serviceClassName>Premium</serviceClassName>
  <serviceDirection>2</serviceDirection>
  <serviceOctetsPassed>40346205</serviceOctetsPassed>
  <servicePktsPassed>82507</servicePktsPassed>
  <serviceSlaDropPkts>412</serviceSlaDropPkts>
  <serviceSlaDelayPkts>8</serviceSlaDelayPkts>
  <serviceTimeCreated>1674623</serviceTimeCreated>
  <serviceTimeActive>5523</serviceTimeActive>
</IPDR>
  <!--
  /* IPDR/SP 2.1 XDR encoded dataRecord in IPDR/SP DATA message */
  00 00 00 0E 63 6D 74 73 30 31 2E 6D 73 6F 2E 63
  6F 6D 0A 28 39 0B 00 21 FA BE 00 00 00 06 49 6E
  74 30 2F 31 00 00 01 C8 00 00 00 09 49 6E 74 2F
  30 2F 31 2F 34 00 00 00 CD 00 00 00 09 69 6E 74
  2F 30 2F 31 2F 32 00 00 00 09 36 A7 70 89 37 0C
  30 71 00 00 00 0B 00 00 00 01 00 00 00 00 41 91
  BF 09 00 00 01 69 00 00 00 07 50 72 65 6D 69 75
  6D 00 00 00 02 00 00 00 00 02 67 A2 5D 00 00 00
  00 00 01 42 4B 00 00 01 9C 00 00 00 08 00 19 8D
  7F 00 00 15 93

breakdown of IPDR/SP 2.1 DOCSIS Usage Billing Records:
cmts01.mso.com : CMTSHostName : string
    00 00 00 0E 63 6D 74 73 30 31 2E 6D 73 6F 2E 63 6F 6D
10.40.57.11 : CMTSipAddress : ipV4Addr
    0A 28 39 0B
2226878 : CMTSsysUpTime : unsignedInt
    00 21 FA BE
Int0/1 : CMTScatvIfName : string
    00 00 00 06 49 6E 74 30 2F 31

```

456 : CMTScatvIfIndex : unsignedInt  
 00 00 01 C8  
 Int/0/1/4 : CMTSupIfName : string  
 00 00 00 09 49 6E 74 2F 30 2F 31 2F 34  
 205 : CMTSupIfType : int  
 00 00 00 CD  
 int/0/1/2 : CMTSdownIfName : string  
 00 00 00 09 69 6E 74 2F 30 2F 31 2F 32  
 00-09-36-A7-70-89 : CMmacAddress : macAddress  
 00 00 00 09 36 A7 70 89  
 55.12.48.113 : CMipAddress : ipV4Addr  
 37 0C 30 71  
 11 : CMdocsisMode : int  
 00 00 00 0B  
 1 : RecType : int  
 00 00 00 01  
 2004-11-10T07:11:05Z : RecCreationTime : dateTimeMsec  
 00 00 00 00 41 91 BF 09  
 361 : serviceIdentifier : unsignedInt  
 00 00 01 69  
 Premium : serviceClassName : string  
 00 00 00 07 50 72 65 6D 69 75 6D  
 2 : serviceDirection : int  
 00 00 00 02  
 40346205 : serviceOctetsPassed : unsignedLong  
 00 00 00 00 02 67 A2 5D  
 82507 : servicePktsPassed : unsignedLong  
 00 00 00 00 00 01 42 4B  
 412 : serviceSlaDropPkts : unsignedInt  
 00 00 01 9C  
 8 : serviceSlaDelayPkts : unsignedInt  
 00 00 00 08  
 1674623 : serviceTimeCreated : unsignedInt  
 00 19 8D 7F  
 5523 : serviceTimeActive : unsignedInt  
 00 00 15 93

-->

```

<IPDR xsi:type="DOCSIS-Type">
  <CMTSHostName>cmts01.mso.com</CMTSHostName>
  <CMTSipAddress>10.40.57.11</CMTSipAddress>
  <CMTSsysUpTime>2226878</CMTSsysUpTime>
  <CMTScatvIfName>Int0/1</CMTScatvIfName>
  <CMTScatvIfIndex>456</CMTScatvIfIndex>
  <CMTSupIfName>Int/0/1/4</CMTSupIfName>
  <CMTSupIfType>205</CMTSupIfType>
  <CMTSdownIfName>int/0/1/2</CMTSdownIfName>
  <CMmacAddress>00-09-36-A7-70-89</CMmacAddress>
  <CMipAddress>55.12.48.113</CMipAddress>
  <CMdocsisMode>11</CMdocsisMode>
  <RecType>1</RecType>
  <RecCreationTime>2004-11-10T07:11:05Z</RecCreationTime>
  <serviceIdentifier>361</serviceIdentifier>
  <serviceClassName>Premium</serviceClassName>
  
```

```

<serviceDirection>2</serviceDirection>
<serviceOctetsPassed>75428075</serviceOctetsPassed>
<servicePktsPassed>143127</servicePktsPassed>
<serviceSlaDropPkts>715</serviceSlaDropPkts>
<serviceSlaDelayPkts>14</serviceSlaDelayPkts>
<serviceTimeCreated>1483423</serviceTimeCreated>
<serviceTimeActive>7435</serviceTimeActive>
</IPDR>
  <!--
  /* IPDR/SP 2.1 XDR encoded dataRecord in IPDR/SP DATA message */
  00 00 00 0E 63 6D 74 73 30 31 2E 6D 73 6F 2E 63
  6F 6D 0A 28 39 0B 00 21 FA BE 00 00 00 06 49 6E
  74 30 2F 31 00 00 01 C8 00 00 00 09 49 6E 74 2F
  30 2F 31 2F 34 00 00 00 CD 00 00 00 09 69 6E 74
  2F 30 2F 31 2F 32 00 00 00 09 36 A7 70 89 37 0C
  30 71 00 00 00 0B 00 00 00 01 00 00 00 00 41 91
  BF 09 00 00 01 69 00 00 00 07 50 72 65 6D 69 75
  6D 00 00 00 02 00 00 00 00 04 7E F0 EB 00 00 00
  00 00 02 2F 17 00 00 02 CB 00 00 00 0E 00 16 A2
  9F 00 00 1D 0B

  breakdown of IPDR/SP 2.1 DOCSIS Usage Billing Records:
  cmts01.mso.com : CMTSHostName : string
    00 00 00 0E 63 6D 74 73 30 31 2E 6D 73 6F 2E 63 6F 6D
  10.40.57.11 : CMTSipAddress : ipV4Addr
    0A 28 39 0B
  2226878 : CMTSsysUpTime : unsignedInt
    00 21 FA BE
  Int0/1 : CMTScatvIfName : string
    00 00 00 06 49 6E 74 30 2F 31
  456 : CMTScatvIfIndex : unsignedInt
    00 00 01 C8
  Int/0/1/4 : CMTSupIfName : string
    00 00 00 09 49 6E 74 2F 30 2F 31 2F 34
  205 : CMTSupIfType : int
    00 00 00 CD
  int/0/1/2 : CMTSdownIfName : string
    00 00 00 09 69 6E 74 2F 30 2F 31 2F 32
  00-09-36-A7-70-89 : CMmacAddress : macAddress
    00 00 00 09 36 A7 70 89
  55.12.48.113 : CMipAddress : ipV4Addr
    37 0C 30 71
  11 : CMdocsisMode : int
    00 00 00 0B
  1 : RecType : int
    00 00 00 01
  2004-11-10T07:11:05Z : RecCreationTime : dateTimeMsec
    00 00 00 00 41 91 BF 09
  361 : serviceIdentifier : unsignedInt
    00 00 01 69
  Premium : serviceClassName : string
    00 00 00 07 50 72 65 6D 69 75 6D
  2 : serviceDirection : int
    00 00 00 02

```

```

75428075 : serviceOctetsPassed : unsignedLong
00 00 00 00 04 7E F0 EB
143127 : servicePktsPassed : unsignedLong
00 00 00 00 00 02 2F 17
715 : serviceSlaDropPkts : unsignedInt
00 00 02 CB
14 : serviceSlaDelayPkts : unsignedInt
00 00 00 0E
1483423 : serviceTimeCreated : unsignedInt
00 16 A2 9F
7435 : serviceTimeActive : unsignedInt
00 00 1D 0B

```

-->

```

<IPDR xsi:type="DOCSIS-Type">
  <CMTSHostName>cmts01.mso.com</CMTSHostName>
  <CMTSIpAddress>10.40.57.11</CMTSIpAddress>
  <CMTSsysUpTime>2226878</CMTSsysUpTime>
  <CMTScatvIfName>Int0/1</CMTScatvIfName>
  <CMTScatvIfIndex>456</CMTScatvIfIndex>
  <CMTSupIfName>Int/0/1/4</CMTSupIfName>
  <CMTSupIfType>205</CMTSupIfType>
  <CMTSdownIfName>int/0/1/2</CMTSdownIfName>
  <CMmacAddress>00-09-36-A7-70-89</CMmacAddress>
  <CMIpAddress>55.12.48.113</CMIpAddress>
  <CMdocsisMode>11</CMdocsisMode>
  <RecType>1</RecType>
  <RecCreationTime>2004-11-10T07:11:05Z</RecCreationTime>
  <serviceIdentifier>361</serviceIdentifier>
  <serviceClassName>Premium</serviceClassName>
  <serviceDirection>2</serviceDirection>
  <serviceOctetsPassed>40130255</serviceOctetsPassed>
  <servicePktsPassed>80582</servicePktsPassed>
  <serviceSlaDropPkts>402</serviceSlaDropPkts>
  <serviceSlaDelayPkts>8</serviceSlaDelayPkts>
  <serviceTimeCreated>1525023</serviceTimeCreated>
  <serviceTimeActive>7019</serviceTimeActive>
</IPDR>
  <!--
  /* IPDR/SP 2.1 XDR encoded dataRecord in IPDR/SP DATA message */
  00 00 00 0E 63 6D 74 73 30 31 2E 6D 73 6F 2E 63
  6F 6D 0A 28 39 0B 00 21 FA BE 00 00 00 06 49 6E
  74 30 2F 31 00 00 01 C8 00 00 00 09 49 6E 74 2F
  30 2F 31 2F 34 00 00 00 CD 00 00 00 09 69 6E 74
  2F 30 2F 31 2F 32 00 00 00 09 36 A7 70 89 37 0C
  30 71 00 00 00 0B 00 00 00 01 00 00 00 00 41 91
  BF 09 00 00 01 69 00 00 00 07 50 72 65 6D 69 75
  6D 00 00 00 02 00 00 00 00 02 64 56 CF 00 00 00
  00 00 01 3A C6 00 00 01 92 00 00 00 08 00 17 45
  1F 00 00 1B 6B

```

```

breakdown of IPDR/SP 2.1 DOCSIS Usage Billing Records:
cmts01.mso.com : CMTSHostName : string
00 00 00 0E 63 6D 74 73 30 31 2E 6D 73 6F 2E 63 6F 6D

```

10.40.57.11 : CMTSipAddress : ipV4Addr  
 0A 28 39 0B  
 2226878 : CMTSsysUpTime : unsignedInt  
 00 21 FA BE  
 Int0/1 : CMTScatvIfName : string  
 00 00 00 06 49 6E 74 30 2F 31  
 456 : CMTScatvIfIndex : unsignedInt  
 00 00 01 C8  
 Int/0/1/4 : CMTSupIfName : string  
 00 00 00 09 49 6E 74 2F 30 2F 31 2F 34  
 205 : CMTSupIfType : int  
 00 00 00 CD  
 int/0/1/2 : CMTSdownIfName : string  
 00 00 00 09 69 6E 74 2F 30 2F 31 2F 32  
 00-09-36-A7-70-89 : CMmacAddress : macAddress  
 00 00 00 09 36 A7 70 89  
 55.12.48.113 : CMipAddress : ipV4Addr  
 37 0C 30 71  
 11 : CMdocsisMode : int  
 00 00 00 0B  
 1 : RecType : int  
 00 00 00 01  
 2004-11-10T07:11:05Z : RecCreationTime : dateTimeMsec  
 00 00 00 00 41 91 BF 09  
 361 : serviceIdentifier : unsignedInt  
 00 00 01 69  
 Premium : serviceClassName : string  
 00 00 00 07 50 72 65 6D 69 75 6D  
 2 : serviceDirection : int  
 00 00 00 02  
 40130255 : serviceOctetsPassed : unsignedLong  
 00 00 00 00 02 64 56 CF  
 80582 : servicePktsPassed : unsignedLong  
 00 00 00 00 00 01 3A C6  
 402 : serviceSlaDropPkts : unsignedInt  
 00 00 01 92  
 8 : serviceSlaDelayPkts : unsignedInt  
 00 00 00 08  
 1525023 : serviceTimeCreated : unsignedInt  
 00 17 45 1F  
 7019 : serviceTimeActive : unsignedInt  
 00 00 1B 6B

-->

```

<IPDR xsi:type="DOCSIS-Type">
  <CMTSHostName>cmts01.mso.com</CMTSHostName>
  <CMTSipAddress>10.40.57.11</CMTSipAddress>
  <CMTSsysUpTime>2226878</CMTSsysUpTime>
  <CMTScatvIfName>Int0/1</CMTScatvIfName>
  <CMTScatvIfIndex>456</CMTScatvIfIndex>
  <CMTSupIfName>Int/0/1/4</CMTSupIfName>
  <CMTSupIfType>205</CMTSupIfType>
  <CMTSdownIfName>int/0/1/2</CMTSdownIfName>
  <CMmacAddress>00-09-36-A7-70-89</CMmacAddress>
  
```

```

<CMIpAddress>55.12.48.113</CMIpAddress>
<CMdocsisMode>11</CMdocsisMode>
<RecType>1</RecType>
<RecCreationTime>2004-11-10T07:11:05Z</RecCreationTime>
<serviceIdentifier>361</serviceIdentifier>
<serviceName>Premium</serviceName>
<serviceDirection>2</serviceDirection>
<serviceOctetsPassed>30424308</serviceOctetsPassed>
<servicePktsPassed>56030</servicePktsPassed>
<serviceSlaDropPkts>280</serviceSlaDropPkts>
<serviceSlaDelayPkts>5</serviceSlaDelayPkts>
<serviceTimeCreated>1803223</serviceTimeCreated>
<serviceTimeActive>4237</serviceTimeActive>
</IPDR>
<!--
/* IPDR/SP 2.1 XDR encoded dataRecord in IPDR/SP DATA message */
00 00 00 0E 63 6D 74 73 30 31 2E 6D 73 6F 2E 63
6F 6D 0A 28 39 0B 00 21 FA BE 00 00 00 06 49 6E
74 30 2F 31 00 00 01 C8 00 00 00 09 49 6E 74 2F
30 2F 31 2F 34 00 00 00 CD 00 00 00 09 69 6E 74
2F 30 2F 31 2F 32 00 00 00 09 36 A7 70 89 37 0C
30 71 00 00 00 0B 00 00 00 01 00 00 00 00 41 91
BF 09 00 00 01 69 00 00 00 07 50 72 65 6D 69 75
6D 00 00 00 02 00 00 00 00 01 D0 3C F4 00 00 00
00 00 00 DA DE 00 00 01 18 00 00 00 05 00 1B 83
D7 00 00 10 8D

```

breakdown of IPDR/SP 2.1 DOCSIS Usage Billing Records:

```

cmts01.mso.com : CMTSHostName : string
00 00 00 0E 63 6D 74 73 30 31 2E 6D 73 6F 2E 63 6F 6D
10.40.57.11 : CMTSIpAddress : ipV4Addr
0A 28 39 0B
2226878 : CMTSsysUpTime : unsignedInt
00 21 FA BE
Int0/1 : CMTScatVifName : string
00 00 00 06 49 6E 74 30 2F 31
456 : CMTScatVifIndex : unsignedInt
00 00 01 C8
Int/0/1/4 : CMTSupIfName : string
00 00 00 09 49 6E 74 2F 30 2F 31 2F 34
205 : CMTSupIfType : int
00 00 00 CD
int/0/1/2 : CMTSdownIfName : string
00 00 00 09 69 6E 74 2F 30 2F 31 2F 32
00-09-36-A7-70-89 : CMmacAddress : macAddress
00 00 00 09 36 A7 70 89
55.12.48.113 : CMIpAddress : ipV4Addr
37 0C 30 71
11 : CMdocsisMode : int
00 00 00 0B
1 : RecType : int
00 00 00 01
2004-11-10T07:11:05Z : RecCreationTime : dateTimeMsec
00 00 00 00 41 91 BF 09

```

```

361 : serviceIdentifier : unsignedInt
    00 00 01 69
Premium : serviceClassName : string
    00 00 00 07 50 72 65 6D 69 75 6D
2 : serviceDirection : int
    00 00 00 02
30424308 : serviceOctetsPassed : unsignedLong
    00 00 00 00 01 D0 3C F4
56030 : servicePktsPassed : unsignedLong
    00 00 00 00 00 00 DA DE
280 : serviceSlaDropPkts : unsignedInt
    00 00 01 18
5 : serviceSlaDelayPkts : unsignedInt
    00 00 00 05
1803223 : serviceTimeCreated : unsignedInt
    00 1B 83 D7
4237 : serviceTimeActive : unsignedInt
    00 00 10 8D

-->
<IPDR xsi:type="DOCSIS-Type">
  <CMTSHostName>cmts01.mso.com</CMTSHostName>
  <CMTSipAddress>10.40.57.11</CMTSipAddress>
  <CMTSsysUpTime>2226878</CMTSsysUpTime>
  <CMTScatvIfName>Int0/1</CMTScatvIfName>
  <CMTScatvIfIndex>456</CMTScatvIfIndex>
  <CMTSupIfName>Int/0/1/4</CMTSupIfName>
  <CMTSupIfType>205</CMTSupIfType>
  <CMTSdownIfName>int/0/1/2</CMTSdownIfName>
  <CMmacAddress>00-09-36-A7-70-89</CMmacAddress>
  <CMipAddress>55.12.48.113</CMipAddress>
  <CMdocsisMode>11</CMdocsisMode>
  <RecType>1</RecType>
  <RecCreationTime>2004-11-10T07:11:05Z</RecCreationTime>
  <serviceIdentifier>361</serviceIdentifier>
  <serviceClassName>Premium</serviceClassName>
  <serviceDirection>2</serviceDirection>
  <serviceOctetsPassed>50215219</serviceOctetsPassed>
  <servicePktsPassed>122178</servicePktsPassed>
  <serviceSlaDropPkts>610</serviceSlaDropPkts>
  <serviceSlaDelayPkts>12</serviceSlaDelayPkts>
  <serviceTimeCreated>1264623</serviceTimeCreated>
  <serviceTimeActive>9623</serviceTimeActive>
</IPDR>
  <!--
  /* IPDR/SP 2.1 XDR encoded dataRecord in IPDR/SP DATA message */
  00 00 00 0E 63 6D 74 73 30 31 2E 6D 73 6F 2E 63
  6F 6D 0A 28 39 0B 00 21 FA BE 00 00 00 06 49 6E
  74 30 2F 31 00 00 01 C8 00 00 00 09 49 6E 74 2F
  30 2F 31 2F 34 00 00 00 CD 00 00 00 09 69 6E 74
  2F 30 2F 31 2F 32 00 00 00 09 36 A7 70 89 37 0C
  30 71 00 00 00 0B 00 00 00 01 00 00 00 00 41 91
  BF 09 00 00 01 69 00 00 00 07 50 72 65 6D 69 75
  6D 00 00 00 02 00 00 00 00 02 FE 39 33 00 00 00

```

00 00 01 DD 42 00 00 02 62 00 00 00 0C 00 13 4B  
 EF 00 00 25 97

breakdown of IPDR/SP 2.1 DOCSIS Usage Billing Records:

cmts01.mso.com : CMTSHostName : string  
 00 00 00 0E 63 6D 74 73 30 31 2E 6D 73 6F 2E 63 6F 6D  
 10.40.57.11 : CMTSipAddress : ipv4Addr  
 0A 28 39 0B  
 2226878 : CMTSsysUpTime : unsignedInt  
 00 21 FA BE  
 Int0/1 : CMTScatvIfName : string  
 00 00 00 06 49 6E 74 30 2F 31  
 456 : CMTScatvIfIndex : unsignedInt  
 00 00 01 C8  
 Int/0/1/4 : CMTSupIfName : string  
 00 00 00 09 49 6E 74 2F 30 2F 31 2F 34  
 205 : CMTSupIfType : int  
 00 00 00 CD  
 int/0/1/2 : CMTSdownIfName : string  
 00 00 00 09 69 6E 74 2F 30 2F 31 2F 32  
 00-09-36-A7-70-89 : CMmacAddress : macAddress  
 00 00 00 09 36 A7 70 89  
 55.12.48.113 : CMipAddress : ipv4Addr  
 37 0C 30 71  
 11 : CMdocsisMode : int  
 00 00 00 0B  
 1 : RecType : int  
 00 00 00 01  
 2004-11-10T07:11:05Z : RecCreationTime : dateTimeMsec  
 00 00 00 00 41 91 BF 09  
 361 : serviceIdentifier : unsignedInt  
 00 00 01 69  
 Premium : serviceClassName : string  
 00 00 00 07 50 72 65 6D 69 75 6D  
 2 : serviceDirection : int  
 00 00 00 02  
 50215219 : serviceOctetsPassed : unsignedLong  
 00 00 00 00 02 FE 39 33  
 122178 : servicePktsPassed : unsignedLong  
 00 00 00 00 00 01 DD 42  
 610 : serviceSlaDropPkts : unsignedInt  
 00 00 02 62  
 12 : serviceSlaDelayPkts : unsignedInt  
 00 00 00 0C  
 1264623 : serviceTimeCreated : unsignedInt  
 00 13 4B EF  
 9623 : serviceTimeActive : unsignedInt  
 00 00 25 97

-->

```
<IPDR xsi:type="DOCSIS-Type">
  <CMTSHostName>cmts01.mso.com</CMTSHostName>
  <CMTSipAddress>10.40.57.11</CMTSipAddress>
  <CMTSsysUpTime>2226878</CMTSsysUpTime>
```

```

<CMTScatvIfName>Int0/1</CMTScatvIfName>
<CMTScatvIfIndex>456</CMTScatvIfIndex>
<CMTSupIfName>Int/0/1/4</CMTSupIfName>
<CMTSupIfType>205</CMTSupIfType>
<CMTSdownIfName>int/0/1/2</CMTSdownIfName>
<CMmacAddress>00-09-36-A7-70-89</CMmacAddress>
<CMipAddress>55.12.48.113</CMipAddress>
<CMdocsisMode>11</CMdocsisMode>
<RecType>1</RecType>
<RecCreationTime>2004-11-10T07:11:05Z</RecCreationTime>
<serviceIdentifier>361</serviceIdentifier>
<serviceClassName>Premium</serviceClassName>
<serviceDirection>2</serviceDirection>
<serviceOctetsPassed>38336164</serviceOctetsPassed>
<servicePktsPassed>91713</servicePktsPassed>
<serviceSlaDropPkts>458</serviceSlaDropPkts>
<serviceSlaDelayPkts>9</serviceSlaDelayPkts>
<serviceTimeCreated>1247523</serviceTimeCreated>
<serviceTimeActive>9794</serviceTimeActive>
</IPDR>
<!--
/* IPDR/SP 2.1 XDR encoded dataRecord in IPDR/SP DATA message */
00 00 00 0E 63 6D 74 73 30 31 2E 6D 73 6F 2E 63
6F 6D 0A 28 39 0B 00 21 FA BE 00 00 00 06 49 6E
74 30 2F 31 00 00 01 C8 00 00 00 09 49 6E 74 2F
30 2F 31 2F 34 00 00 00 CD 00 00 00 09 69 6E 74
2F 30 2F 31 2F 32 00 00 00 09 36 A7 70 89 37 0C
30 71 00 00 00 0B 00 00 00 01 00 00 00 00 41 91
BF 09 00 00 01 69 00 00 00 07 50 72 65 6D 69 75
6D 00 00 00 02 00 00 00 00 02 48 F6 A4 00 00 00
00 00 01 66 41 00 00 01 CA 00 00 00 09 00 13 09
23 00 00 26 42

breakdown of IPDR/SP 2.1 DOCSIS Usage Billing Records:
cmts01.mso.com : CMTSHostName : string
  00 00 00 0E 63 6D 74 73 30 31 2E 6D 73 6F 2E 63 6F 6D
10.40.57.11 : CMTSipAddress : ipV4Addr
  0A 28 39 0B
2226878 : CMTSsysUpTime : unsignedInt
  00 21 FA BE
Int0/1 : CMTScatvIfName : string
  00 00 00 06 49 6E 74 30 2F 31
456 : CMTScatvIfIndex : unsignedInt
  00 00 01 C8
Int/0/1/4 : CMTSupIfName : string
  00 00 00 09 49 6E 74 2F 30 2F 31 2F 34
205 : CMTSupIfType : int
  00 00 00 CD
int/0/1/2 : CMTSdownIfName : string
  00 00 00 09 69 6E 74 2F 30 2F 31 2F 32
00-09-36-A7-70-89 : CMmacAddress : macAddress
  00 00 00 09 36 A7 70 89
55.12.48.113 : CMipAddress : ipV4Addr
  37 0C 30 71

```

```

11 : CMdocsisMode : int
    00 00 00 0B
1 : RecType : int
    00 00 00 01
2004-11-10T07:11:05Z : RecCreationTime : dateTimeMsec
    00 00 00 00 41 91 BF 09
361 : serviceIdentifier : unsignedInt
    00 00 01 69
Premium : serviceClassName : string
    00 00 00 07 50 72 65 6D 69 75 6D
2 : serviceDirection : int
    00 00 00 02
38336164 : serviceOctetsPassed : unsignedLong
    00 00 00 00 02 48 F6 A4
91713 : servicePktsPassed : unsignedLong
    00 00 00 00 00 01 66 41
458 : serviceSlaDropPkts : unsignedInt
    00 00 01 CA
9 : serviceSlaDelayPkts : unsignedInt
    00 00 00 09
1247523 : serviceTimeCreated : unsignedInt
    00 13 09 23
9794 : serviceTimeActive : unsignedInt
    00 00 26 42

-->
<IPDR xsi:type="DOCSIS-Type">
  <CMTSHostName>cmts01.mso.com</CMTSHostName>
  <CMTSipAddress>10.40.57.11</CMTSipAddress>
  <CMTSsysUpTime>2226878</CMTSsysUpTime>
  <CMTScatvIfName>Int0/1</CMTScatvIfName>
  <CMTScatvIfIndex>456</CMTScatvIfIndex>
  <CMTSupIfName>Int/0/1/4</CMTSupIfName>
  <CMTSupIfType>205</CMTSupIfType>
  <CMTSdownIfName>int/0/1/2</CMTSdownIfName>
  <CMmacAddress>00-09-36-A7-70-89</CMmacAddress>
  <CMipAddress>55.12.48.113</CMipAddress>
  <CMdocsisMode>11</CMdocsisMode>
  <RecType>1</RecType>
  <RecCreationTime>2004-11-10T07:11:05Z</RecCreationTime>
  <serviceIdentifier>361</serviceIdentifier>
  <serviceClassName>Premium</serviceClassName>
  <serviceDirection>2</serviceDirection>
  <serviceOctetsPassed>15256850</serviceOctetsPassed>
  <servicePktsPassed>48743</servicePktsPassed>
  <serviceSlaDropPkts>243</serviceSlaDropPkts>
  <serviceSlaDelayPkts>4</serviceSlaDelayPkts>
  <serviceTimeCreated>1789623</serviceTimeCreated>
  <serviceTimeActive>4373</serviceTimeActive>
</IPDR>
  <!--
  /* IPDR/SP 2.1 XDR encoded dataRecord in IPDR/SP DATA message */
  00 00 00 0E 63 6D 74 73 30 31 2E 6D 73 6F 2E 63
  6F 6D 0A 28 39 0B 00 21 FA BE 00 00 00 06 49 6E

```

74 30 2F 31 00 00 01 C8 00 00 00 09 49 6E 74 2F  
30 2F 31 2F 34 00 00 00 CD 00 00 00 09 69 6E 74  
2F 30 2F 31 2F 32 00 00 00 09 36 A7 70 89 37 0C  
30 71 00 00 00 0B 00 00 00 01 00 00 00 00 41 91  
BF 09 00 00 01 69 00 00 00 07 50 72 65 6D 69 75  
6D 00 00 00 02 00 00 00 00 00 E8 CD 12 00 00 00  
00 00 00 BE 67 00 00 00 F3 00 00 00 04 00 1B 4E  
B7 00 00 11 15

breakdown of IPDR/SP 2.1 DOCSIS Usage Billing Records:

cmts01.mso.com : CMTSHostName : string  
00 00 00 0E 63 6D 74 73 30 31 2E 6D 73 6F 2E 63 6F 6D  
10.40.57.11 : CMTSipAddress : ipv4Addr  
0A 28 39 0B  
2226878 : CMTSsysUpTime : unsignedInt  
00 21 FA BE  
Int0/1 : CMTScatvIfName : string  
00 00 00 06 49 6E 74 30 2F 31  
456 : CMTScatvIfIndex : unsignedInt  
00 00 01 C8  
Int/0/1/4 : CMTSupIfName : string  
00 00 00 09 49 6E 74 2F 30 2F 31 2F 34  
205 : CMTSupIfType : int  
00 00 00 CD  
int/0/1/2 : CMTSdownIfName : string  
00 00 00 09 69 6E 74 2F 30 2F 31 2F 32  
00-09-36-A7-70-89 : CMmacAddress : macAddress  
00 00 00 09 36 A7 70 89  
55.12.48.113 : CMipAddress : ipv4Addr  
37 0C 30 71  
11 : CMdocsisMode : int  
00 00 00 0B  
1 : RecType : int  
00 00 00 01  
2004-11-10T07:11:05Z : RecCreationTime : dateTimeMsec  
00 00 00 00 41 91 BF 09  
361 : serviceIdentifier : unsignedInt  
00 00 01 69  
Premium : serviceClassName : string  
00 00 00 07 50 72 65 6D 69 75 6D  
2 : serviceDirection : int  
00 00 00 02  
15256850 : serviceOctetsPassed : unsignedLong  
00 00 00 00 00 E8 CD 12  
48743 : servicePktsPassed : unsignedLong  
00 00 00 00 00 00 BE 67  
243 : serviceSlaDropPkts : unsignedInt  
00 00 00 F3  
4 : serviceSlaDelayPkts : unsignedInt  
00 00 00 04  
1789623 : serviceTimeCreated : unsignedInt  
00 1B 4E B7  
4373 : serviceTimeActive : unsignedInt  
00 00 11 15

```
-->
<IPDR xsi:type="DOCSIS-Type">
  <CMTSHostName>cmts01.mso.com</CMTSHostName>
  <CMTSIPAddress>10.40.57.11</CMTSIPAddress>
  <CMTSsysUpTime>2226878</CMTSsysUpTime>
  <CMTScatvIfName>Int0/1</CMTScatvIfName>
  <CMTScatvIfIndex>456</CMTScatvIfIndex>
  <CMTSupIfName>Int/0/1/4</CMTSupIfName>
  <CMTSupIfType>205</CMTSupIfType>
  <CMTSdownIfName>int/0/1/2</CMTSdownIfName>
  <CMmacAddress>00-09-36-A7-70-89</CMmacAddress>
  <CMipAddress>55.12.48.113</CMipAddress>
  <CMdocsisMode>11</CMdocsisMode>
  <RecType>1</RecType>
  <RecCreationTime>2004-11-10T07:11:05Z</RecCreationTime>
  <serviceIdentifier>361</serviceIdentifier>
  <serviceClassName>Premium</serviceClassName>
  <serviceDirection>2</serviceDirection>
  <serviceOctetsPassed>28759222</serviceOctetsPassed>
  <servicePktsPassed>55412</servicePktsPassed>
  <serviceSlaDropPkts>277</serviceSlaDropPkts>
  <serviceSlaDelayPkts>5</serviceSlaDelayPkts>
  <serviceTimeCreated>1798823</serviceTimeCreated>
  <serviceTimeActive>4281</serviceTimeActive>
</IPDR>
  <!--
  /* IPDR/SP 2.1 XDR encoded dataRecord in IPDR/SP DATA message */
  00 00 00 0E 63 6D 74 73 30 31 2E 6D 73 6F 2E 63
  6F 6D 0A 28 39 0B 00 21 FA BE 00 00 00 06 49 6E
  74 30 2F 31 00 00 01 C8 00 00 00 09 49 6E 74 2F
  30 2F 31 2F 34 00 00 00 CD 00 00 00 09 69 6E 74
  2F 30 2F 31 2F 32 00 00 00 09 36 A7 70 89 37 0C
  30 71 00 00 00 0B 00 00 00 01 00 00 00 00 41 91
  BF 09 00 00 01 69 00 00 00 07 50 72 65 6D 69 75
  6D 00 00 00 02 00 00 00 00 01 B6 D4 B6 00 00 00
  00 00 00 D8 74 00 00 01 15 00 00 00 05 00 1B 72
  A7 00 00 10 B9
```

breakdown of IPDR/SP 2.1 DOCSIS Usage Billing Records:

```
cmts01.mso.com : CMTSHostName : string
  00 00 00 0E 63 6D 74 73 30 31 2E 6D 73 6F 2E 63 6F 6D
10.40.57.11 : CMTSIPAddress : ipV4Addr
  0A 28 39 0B
2226878 : CMTSsysUpTime : unsignedInt
  00 21 FA BE
Int0/1 : CMTScatvIfName : string
  00 00 00 06 49 6E 74 30 2F 31
456 : CMTScatvIfIndex : unsignedInt
  00 00 01 C8
Int/0/1/4 : CMTSupIfName : string
  00 00 00 09 49 6E 74 2F 30 2F 31 2F 34
205 : CMTSupIfType : int
  00 00 00 CD
```

```

int/0/1/2 : CMTSdownIfName : string
  00 00 00 09 69 6E 74 2F 30 2F 31 2F 32
00-09-36-A7-70-89 : CMmacAddress : macAddress
  00 00 00 09 36 A7 70 89
55.12.48.113 : CMipAddress : ipV4Addr
  37 0C 30 71
11 : CMdocsisMode : int
  00 00 00 0B
1 : RecType : int
  00 00 00 01
2004-11-10T07:11:05Z : RecCreationTime : dateTimeMsec
  00 00 00 00 41 91 BF 09
361 : serviceIdentifier : unsignedInt
  00 00 01 69
Premium : serviceClassName : string
  00 00 00 07 50 72 65 6D 69 75 6D
2 : serviceDirection : int
  00 00 00 02
28759222 : serviceOctetsPassed : unsignedLong
  00 00 00 00 01 B6 D4 B6
55412 : servicePktsPassed : unsignedLong
  00 00 00 00 00 00 D8 74
277 : serviceSlaDropPkts : unsignedInt
  00 00 01 15
5 : serviceSlaDelayPkts : unsignedInt
  00 00 00 05
1798823 : serviceTimeCreated : unsignedInt
  00 1B 72 A7
4281 : serviceTimeActive : unsignedInt
  00 00 10 B9

```

-->

```

<IPDR xsi:type="DOCSIS-Type">
  <CMTSHostName>cmts01.mso.com</CMTSHostName>
  <CMTSipAddress>10.40.57.11</CMTSipAddress>
  <CMTSsysUpTime>2226878</CMTSsysUpTime>
  <CMTScatvIfName>Int0/1</CMTScatvIfName>
  <CMTScatvIfIndex>456</CMTScatvIfIndex>
  <CMTSupIfName>Int/0/1/4</CMTSupIfName>
  <CMTSupIfType>205</CMTSupIfType>
  <CMTSdownIfName>int/0/1/2</CMTSdownIfName>
  <CMmacAddress>00-09-36-A7-70-89</CMmacAddress>
  <CMipAddress>55.12.48.113</CMipAddress>
  <CMdocsisMode>11</CMdocsisMode>
  <RecType>1</RecType>
  <RecCreationTime>2004-11-10T07:11:05Z</RecCreationTime>
  <serviceIdentifier>361</serviceIdentifier>
  <serviceClassName>Premium</serviceClassName>
  <serviceDirection>2</serviceDirection>
  <serviceOctetsPassed>37601547</serviceOctetsPassed>
  <servicePktsPassed>68867</servicePktsPassed>
  <serviceSlaDropPkts>344</serviceSlaDropPkts>
  <serviceSlaDelayPkts>6</serviceSlaDelayPkts>
  <serviceTimeCreated>1539823</serviceTimeCreated>

```

```

<serviceTimeActive>6871</serviceTimeActive>
</IPDR>
  <!--
  /* IPDR/SP 2.1 XDR encoded dataRecord in IPDR/SP DATA message */
  00 00 00 0E 63 6D 74 73 30 31 2E 6D 73 6F 2E 63
  6F 6D 0A 28 39 0B 00 21 FA BE 00 00 00 06 49 6E
  74 30 2F 31 00 00 01 C8 00 00 00 09 49 6E 74 2F
  30 2F 31 2F 34 00 00 00 CD 00 00 00 09 69 6E 74
  2F 30 2F 31 2F 32 00 00 00 09 36 A7 70 89 37 0C
  30 71 00 00 00 0B 00 00 00 01 00 00 00 00 41 91
  BF 09 00 00 01 69 00 00 00 07 50 72 65 6D 69 75
  6D 00 00 00 02 00 00 00 00 02 3D C1 0B 00 00 00
  00 00 01 0D 03 00 00 01 58 00 00 00 06 00 17 7E
  EF 00 00 1A D7

  breakdown of IPDR/SP 2.1 DOCSIS Usage Billing Records:
  cmts01.mso.com : CMTSHostName : string
    00 00 00 0E 63 6D 74 73 30 31 2E 6D 73 6F 2E 63 6F 6D
  10.40.57.11 : CMTSipAddress : ipV4Addr
    0A 28 39 0B
  2226878 : CMTSsysUpTime : unsignedInt
    00 21 FA BE
  Int0/1 : CMTScatvIfName : string
    00 00 00 06 49 6E 74 30 2F 31
  456 : CMTScatvIfIndex : unsignedInt
    00 00 01 C8
  Int0/1/4 : CMTSupIfName : string
    00 00 00 09 49 6E 74 2F 30 2F 31 2F 34
  205 : CMTSupIfType : int
    00 00 00 CD
  int0/1/2 : CMTSdownIfName : string
    00 00 00 09 69 6E 74 2F 30 2F 31 2F 32
  00-09-36-A7-70-89 : CMmacAddress : macAddress
    00 00 00 09 36 A7 70 89
  55.12.48.113 : CMipAddress : ipV4Addr
    37 0C 30 71
  11 : CMdocsisMode : int
    00 00 00 0B
  1 : RecType : int
    00 00 00 01
  2004-11-10T07:11:05Z : RecCreationTime : dateTimeMsec
    00 00 00 00 41 91 BF 09
  361 : serviceIdentifier : unsignedInt
    00 00 01 69
  Premium : serviceClassName : string
    00 00 00 07 50 72 65 6D 69 75 6D
  2 : serviceDirection : int
    00 00 00 02
  37601547 : serviceOctetsPassed : unsignedLong
    00 00 00 00 02 3D C1 0B
  68867 : servicePktsPassed : unsignedLong
    00 00 00 00 00 01 0D 03
  344 : serviceSlaDropPkts : unsignedInt
    00 00 01 58

```

```

6 : serviceSlaDelayPkts : unsignedInt
    00 00 00 06
1539823 : serviceTimeCreated : unsignedInt
    00 17 7E EF
6871 : serviceTimeActive : unsignedInt
    00 00 1A D7

```

```

-->
<IPDR xsi:type="DOCSIS-Type">
  <CMTSHostName>cmts01.mso.com</CMTSHostName>
  <CMTSipAddress>10.40.57.11</CMTSipAddress>
  <CMTSsysUpTime>2226878</CMTSsysUpTime>
  <CMTScatvIfName>Int0/1</CMTScatvIfName>
  <CMTScatvIfIndex>456</CMTScatvIfIndex>
  <CMTSupIfName>Int/0/1/4</CMTSupIfName>
  <CMTSupIfType>205</CMTSupIfType>
  <CMTSdownIfName>int/0/1/2</CMTSdownIfName>
  <CMmacAddress>00-09-36-A7-70-89</CMmacAddress>
  <CMipAddress>55.12.48.113</CMipAddress>
  <CMdocsisMode>11</CMdocsisMode>
  <RecType>1</RecType>
  <RecCreationTime>2004-11-10T07:11:05Z</RecCreationTime>
  <serviceIdentifier>361</serviceIdentifier>
  <serviceClassName>Premium</serviceClassName>
  <serviceDirection>2</serviceDirection>
  <serviceOctetsPassed>43394442</serviceOctetsPassed>
  <servicePktsPassed>109305</servicePktsPassed>
  <serviceSlaDropPkts>546</serviceSlaDropPkts>
  <serviceSlaDelayPkts>10</serviceSlaDelayPkts>
  <serviceTimeCreated>1390323</serviceTimeCreated>
  <serviceTimeActive>8366</serviceTimeActive>
</IPDR>
  <!--
  /* IPDR/SP 2.1 XDR encoded dataRecord in IPDR/SP DATA message */
  00 00 00 0E 63 6D 74 73 30 31 2E 6D 73 6F 2E 63
  6F 6D 0A 28 39 0B 00 21 FA BE 00 00 00 06 49 6E
  74 30 2F 31 00 00 01 C8 00 00 00 09 49 6E 74 2F
  30 2F 31 2F 34 00 00 00 CD 00 00 00 09 69 6E 74
  2F 30 2F 31 2F 32 00 00 00 09 36 A7 70 89 37 0C
  30 71 00 00 00 0B 00 00 00 01 00 00 00 00 41 91
  BF 09 00 00 01 69 00 00 00 07 50 72 65 6D 69 75
  6D 00 00 00 02 00 00 00 00 02 96 25 8A 00 00 00
  00 00 01 AA F9 00 00 02 22 00 00 00 0A 00 15 36
  F3 00 00 20 AE

```

```

breakdown of IPDR/SP 2.1 DOCSIS Usage Billing Records:
cmts01.mso.com : CMTSHostName : string
    00 00 00 0E 63 6D 74 73 30 31 2E 6D 73 6F 2E 63 6F 6D
10.40.57.11 : CMTSipAddress : ipV4Addr
    0A 28 39 0B
2226878 : CMTSsysUpTime : unsignedInt
    00 21 FA BE
Int0/1 : CMTScatvIfName : string
    00 00 00 06 49 6E 74 30 2F 31

```

456 : CMTScatvIfIndex : unsignedInt  
 00 00 01 C8  
 Int/0/1/4 : CMTSupIfName : string  
 00 00 00 09 49 6E 74 2F 30 2F 31 2F 34  
 205 : CMTSupIfType : int  
 00 00 00 CD  
 int/0/1/2 : CMTSdownIfName : string  
 00 00 00 09 69 6E 74 2F 30 2F 31 2F 32  
 00-09-36-A7-70-89 : CMmacAddress : macAddress  
 00 00 00 09 36 A7 70 89  
 55.12.48.113 : CMipAddress : ipv4Addr  
 37 0C 30 71  
 11 : CMdocsisMode : int  
 00 00 00 0B  
 1 : RecType : int  
 00 00 00 01  
 2004-11-10T07:11:05Z : RecCreationTime : dateTimeMsec  
 00 00 00 00 41 91 BF 09  
 361 : serviceIdentifier : unsignedInt  
 00 00 01 69  
 Premium : serviceClassName : string  
 00 00 00 07 50 72 65 6D 69 75 6D  
 2 : serviceDirection : int  
 00 00 00 02  
 43394442 : serviceOctetsPassed : unsignedLong  
 00 00 00 00 02 96 25 8A  
 109305 : servicePktsPassed : unsignedLong  
 00 00 00 00 00 01 AA F9  
 546 : serviceSlaDropPkts : unsignedInt  
 00 00 02 22  
 10 : serviceSlaDelayPkts : unsignedInt  
 00 00 00 0A  
 1390323 : serviceTimeCreated : unsignedInt  
 00 15 36 F3  
 8366 : serviceTimeActive : unsignedInt  
 00 00 20 AE

-->

```

<IPDR xsi:type="DOCSIS-Type">
  <CMTSHostName>cmts01.mso.com</CMTSHostName>
  <CMTSipAddress>10.40.57.11</CMTSipAddress>
  <CMTSsysUpTime>2226878</CMTSsysUpTime>
  <CMTScatvIfName>Int0/1</CMTScatvIfName>
  <CMTScatvIfIndex>456</CMTScatvIfIndex>
  <CMTSupIfName>Int/0/1/4</CMTSupIfName>
  <CMTSupIfType>205</CMTSupIfType>
  <CMTSdownIfName>int/0/1/2</CMTSdownIfName>
  <CMmacAddress>00-09-36-A7-70-89</CMmacAddress>
  <CMipAddress>55.12.48.113</CMipAddress>
  <CMdocsisMode>11</CMdocsisMode>
  <RecType>1</RecType>
  <RecCreationTime>2004-11-10T07:11:05Z</RecCreationTime>
  <serviceIdentifier>361</serviceIdentifier>
  <serviceClassName>Premium</serviceClassName>
  
```

```

<serviceDirection>2</serviceDirection>
<serviceOctetsPassed>33282591</serviceOctetsPassed>
<servicePktsPassed>62326</servicePktsPassed>
<serviceSlaDropPkts>311</serviceSlaDropPkts>
<serviceSlaDelayPkts>6</serviceSlaDelayPkts>
<serviceTimeCreated>1196223</serviceTimeCreated>
<serviceTimeActive>10307</serviceTimeActive>
</IPDR>
  <!--
  /* IPDR/SP 2.1 XDR encoded dataRecord in IPDR/SP DATA message */
  00 00 00 0E 63 6D 74 73 30 31 2E 6D 73 6F 2E 63
  6F 6D 0A 28 39 0B 00 21 FA BE 00 00 00 06 49 6E
  74 30 2F 31 00 00 01 C8 00 00 00 09 49 6E 74 2F
  30 2F 31 2F 34 00 00 00 CD 00 00 00 09 69 6E 74
  2F 30 2F 31 2F 32 00 00 00 09 36 A7 70 89 37 0C
  30 71 00 00 00 0B 00 00 00 01 00 00 00 00 41 91
  BF 09 00 00 01 69 00 00 00 07 50 72 65 6D 69 75
  6D 00 00 00 02 00 00 00 00 01 FB DA 1F 00 00 00
  00 00 00 F3 76 00 00 01 37 00 00 00 06 00 12 40
  BF 00 00 28 43

  breakdown of IPDR/SP 2.1 DOCSIS Usage Billing Records:
  cmts01.mso.com : CMTSHostName : string
    00 00 00 0E 63 6D 74 73 30 31 2E 6D 73 6F 2E 63 6F 6D
  10.40.57.11 : CMTSipAddress : ipV4Addr
    0A 28 39 0B
  2226878 : CMTSsysUpTime : unsignedInt
    00 21 FA BE
  Int0/1 : CMTScatvIfName : string
    00 00 00 06 49 6E 74 30 2F 31
  456 : CMTScatvIfIndex : unsignedInt
    00 00 01 C8
  Int/0/1/4 : CMTSupIfName : string
    00 00 00 09 49 6E 74 2F 30 2F 31 2F 34
  205 : CMTSupIfType : int
    00 00 00 CD
  int/0/1/2 : CMTSdownIfName : string
    00 00 00 09 69 6E 74 2F 30 2F 31 2F 32
  00-09-36-A7-70-89 : CMmacAddress : macAddress
    00 00 00 09 36 A7 70 89
  55.12.48.113 : CMipAddress : ipV4Addr
    37 0C 30 71
  11 : CMdocsisMode : int
    00 00 00 0B
  1 : RecType : int
    00 00 00 01
  2004-11-10T07:11:05Z : RecCreationTime : dateTimeMsec
    00 00 00 00 41 91 BF 09
  361 : serviceIdentifier : unsignedInt
    00 00 01 69
  Premium : serviceClassName : string
    00 00 00 07 50 72 65 6D 69 75 6D
  2 : serviceDirection : int
    00 00 00 02

```

```

33282591 : serviceOctetsPassed : unsignedLong
    00 00 00 00 01 FB DA 1F
62326 : servicePktsPassed : unsignedLong
    00 00 00 00 00 00 F3 76
311 : serviceSlaDropPkts : unsignedInt
    00 00 01 37
6 : serviceSlaDelayPkts : unsignedInt
    00 00 00 06
1196223 : serviceTimeCreated : unsignedInt
    00 12 40 BF
10307 : serviceTimeActive : unsignedInt
    00 00 28 43

```

```
-->
```

```

<IPDR xsi:type="DOCSIS-Type">
  <CMTSHostName>cmts01.mso.com</CMTSHostName>
  <CMTSIpAddress>10.40.57.11</CMTSIpAddress>
  <CMTSsysUpTime>2226878</CMTSsysUpTime>
  <CMTScatvIfName>Int0/1</CMTScatvIfName>
  <CMTScatvIfIndex>456</CMTScatvIfIndex>
  <CMTSupIfName>Int/0/1/4</CMTSupIfName>
  <CMTSupIfType>205</CMTSupIfType>
  <CMTSdownIfName>int/0/1/2</CMTSdownIfName>
  <CMmacAddress>00-09-36-A7-70-89</CMmacAddress>
  <CMIpAddress>55.12.48.113</CMIpAddress>
  <CMdocsisMode>11</CMdocsisMode>
  <RecType>1</RecType>
  <RecCreationTime>2004-11-10T07:11:05Z</RecCreationTime>
  <serviceIdentifier>361</serviceIdentifier>
  <serviceClassName>Premium</serviceClassName>
  <serviceDirection>2</serviceDirection>
  <serviceOctetsPassed>50999368</serviceOctetsPassed>
  <servicePktsPassed>152692</servicePktsPassed>
  <serviceSlaDropPkts>763</serviceSlaDropPkts>
  <serviceSlaDelayPkts>15</serviceSlaDelayPkts>
  <serviceTimeCreated>1265622</serviceTimeCreated>
  <serviceTimeActive>9613</serviceTimeActive>
</IPDR>
  <!--
  /* IPDR/SP 2.1 XDR encoded dataRecord in IPDR/SP DATA message */
  00 00 00 0E 63 6D 74 73 30 31 2E 6D 73 6F 2E 63
  6F 6D 0A 28 39 0B 00 21 FA BE 00 00 00 06 49 6E
  74 30 2F 31 00 00 01 C8 00 00 00 09 49 6E 74 2F
  30 2F 31 2F 34 00 00 00 CD 00 00 00 09 69 6E 74
  2F 30 2F 31 2F 32 00 00 00 09 36 A7 70 89 37 0C
  30 71 00 00 00 0B 00 00 00 01 00 00 00 00 41 91
  BF 09 00 00 01 69 00 00 00 07 50 72 65 6D 69 75
  6D 00 00 00 02 00 00 00 00 03 0A 30 48 00 00 00
  00 00 02 54 74 00 00 02 FB 00 00 00 0F 00 13 4F
  D6 00 00 25 8D

```

breakdown of IPDR/SP 2.1 DOCSIS Usage Billing Records:

```

cmts01.mso.com : CMTSHostName : string
  00 00 00 0E 63 6D 74 73 30 31 2E 6D 73 6F 2E 63 6F 6D
10.40.57.11 : CMTSipAddress : ipv4Addr
  0A 28 39 0B
2226878 : CMTSsysUpTime : unsignedInt
  00 21 FA BE
Int0/1 : CMTScatvIfName : string
  00 00 00 06 49 6E 74 30 2F 31
456 : CMTScatvIfIndex : unsignedInt
  00 00 01 C8
Int/0/1/4 : CMTSupIfName : string
  00 00 00 09 49 6E 74 2F 30 2F 31 2F 34
205 : CMTSupIfType : int
  00 00 00 CD
int/0/1/2 : CMTSdownIfName : string
  00 00 00 09 69 6E 74 2F 30 2F 31 2F 32
00-09-36-A7-70-89 : CMmacAddress : macAddress
  00 00 00 09 36 A7 70 89
55.12.48.113 : CMipAddress : ipv4Addr
  37 0C 30 71
11 : CMdocsisMode : int
  00 00 00 0B
1 : RecType : int
  00 00 00 01
2004-11-10T07:11:05Z : RecCreationTime : dateTimeMsec
  00 00 00 00 41 91 BF 09
361 : serviceIdentifier : unsignedInt
  00 00 01 69
Premium : serviceClassName : string
  00 00 00 07 50 72 65 6D 69 75 6D
2 : serviceDirection : int
  00 00 00 02
50999368 : serviceOctetsPassed : unsignedLong
  00 00 00 00 03 0A 30 48
152692 : servicePktsPassed : unsignedLong
  00 00 00 00 00 02 54 74
763 : serviceSlaDropPkts : unsignedInt
  00 00 02 FB
15 : serviceSlaDelayPkts : unsignedInt
  00 00 00 0F
1265622 : serviceTimeCreated : unsignedInt
  00 13 4F D6
9613 : serviceTimeActive : unsignedInt
  00 00 25 8D

```

-->

```

<IPDR xsi:type="DOCSIS-Type">
  <CMTSHostName>cmts01.mso.com</CMTSHostName>
  <CMTSipAddress>10.40.57.11</CMTSipAddress>
  <CMTSsysUpTime>2226878</CMTSsysUpTime>
  <CMTScatvIfName>Int0/1</CMTScatvIfName>
  <CMTScatvIfIndex>456</CMTScatvIfIndex>
  <CMTSupIfName>Int/0/1/4</CMTSupIfName>

```

```

<CMTSupIfType>205</CMTSupIfType>
<CMTSdownIfName>int/0/1/2</CMTSdownIfName>
<CMmacAddress>00-09-36-A7-70-89</CMmacAddress>
<CMipAddress>55.12.48.113</CMipAddress>
<CMdocsisMode>11</CMdocsisMode>
<RecType>1</RecType>
<RecCreationTime>2004-11-10T07:11:05Z</RecCreationTime>
<serviceIdentifier>361</serviceIdentifier>
<serviceName>Premium</serviceName>
<serviceDirection>2</serviceDirection>
<serviceOctetsPassed>38096157</serviceOctetsPassed>
<servicePktsPassed>39683</servicePktsPassed>
<serviceSlaDropPkts>79</serviceSlaDropPkts>
<serviceSlaDelayPkts>0</serviceSlaDelayPkts>
<serviceTimeCreated>1695123</serviceTimeCreated>
<serviceTimeActive>5318</serviceTimeActive>
</IPDR>
  <!--
  /* IPDR/SP 2.1 XDR encoded dataRecord in IPDR/SP DATA message */
  00 00 00 0E 63 6D 74 73 30 31 2E 6D 73 6F 2E 63
  6F 6D 0A 28 39 0B 00 21 FA BE 00 00 00 06 49 6E
  74 30 2F 31 00 00 01 C8 00 00 00 09 49 6E 74 2F
  30 2F 31 2F 34 00 00 00 CD 00 00 00 09 69 6E 74
  2F 30 2F 31 2F 32 00 00 00 09 36 A7 70 89 37 0C
  30 71 00 00 00 0B 00 00 00 01 00 00 00 00 41 91
  BF 09 00 00 01 69 00 00 00 07 50 72 65 6D 69 75
  6D 00 00 00 02 00 00 00 00 02 45 4D 1D 00 00 00
  00 00 00 9B 03 00 00 00 4F 00 00 00 00 00 19 DD
  93 00 00 14 C6

```

breakdown of IPDR/SP 2.1 DOCSIS Usage Billing Records:

```

cmts01.mso.com : CMTSHostName : string
  00 00 00 0E 63 6D 74 73 30 31 2E 6D 73 6F 2E 63 6F 6D
10.40.57.11 : CMTSipAddress : ipV4Addr
  0A 28 39 0B
2226878 : CMTSsysUpTime : unsignedInt
  00 21 FA BE
Int0/1 : CMTScatvIfName : string
  00 00 00 06 49 6E 74 30 2F 31
456 : CMTScatvIfIndex : unsignedInt
  00 00 01 C8
Int0/1/4 : CMTSupIfName : string
  00 00 00 09 49 6E 74 2F 30 2F 31 2F 34
205 : CMTSupIfType : int
  00 00 00 CD
int/0/1/2 : CMTSdownIfName : string
  00 00 00 09 69 6E 74 2F 30 2F 31 2F 32
00-09-36-A7-70-89 : CMmacAddress : macAddress
  00 00 00 09 36 A7 70 89
55.12.48.113 : CMipAddress : ipV4Addr
  37 0C 30 71
11 : CMdocsisMode : int
  00 00 00 0B
1 : RecType : int

```

```

00 00 00 01
2004-11-10T07:11:05Z : RecCreationTime : dateTimeMsec
00 00 00 00 41 91 BF 09
361 : serviceIdentifier : unsignedInt
00 00 01 69
Premium : serviceClassName : string
00 00 00 07 50 72 65 6D 69 75 6D
2 : serviceDirection : int
00 00 00 02
38096157 : serviceOctetsPassed : unsignedLong
00 00 00 00 02 45 4D 1D
39683 : servicePktsPassed : unsignedLong
00 00 00 00 00 00 9B 03
79 : serviceSlaDropPkts : unsignedInt
00 00 00 4F
0 : serviceSlaDelayPkts : unsignedInt
00 00 00 00
1695123 : serviceTimeCreated : unsignedInt
00 19 DD 93
5318 : serviceTimeActive : unsignedInt
00 00 14 C6

```

```
-->
```

```

<IPDR xsi:type="DOCSIS-Type">
  <CMTSHostName>cmts01.mso.com</CMTSHostName>
  <CMTSIPAddress>10.40.57.11</CMTSIPAddress>
  <CMTSsysUpTime>2226878</CMTSsysUpTime>
  <CMTScatvIfName>Int0/1</CMTScatvIfName>
  <CMTScatvIfIndex>456</CMTScatvIfIndex>
  <CMTSupIfName>Int/0/1/4</CMTSupIfName>
  <CMTSupIfType>205</CMTSupIfType>
  <CMTSdownIfName>int/0/1/2</CMTSdownIfName>
  <CMmacAddress>00-09-36-A7-70-89</CMmacAddress>
  <CMipAddress>55.12.48.113</CMipAddress>
  <CMdocsisMode>11</CMdocsisMode>
  <RecType>1</RecType>
  <RecCreationTime>2004-11-10T07:11:05Z</RecCreationTime>
  <serviceIdentifier>361</serviceIdentifier>
  <serviceClassName>Premium</serviceClassName>
  <serviceDirection>2</serviceDirection>
  <serviceOctetsPassed>74553898</serviceOctetsPassed>
  <servicePktsPassed>75689</servicePktsPassed>
  <serviceSlaDropPkts>151</serviceSlaDropPkts>
  <serviceSlaDelayPkts>1</serviceSlaDelayPkts>
  <serviceTimeCreated>1457523</serviceTimeCreated>
  <serviceTimeActive>7694</serviceTimeActive>
</IPDR>
  <!--
  /* IPDR/SP 2.1 XDR encoded dataRecord in IPDR/SP DATA message */
00 00 00 0E 63 6D 74 73 30 31 2E 6D 73 6F 2E 63
6F 6D 0A 28 39 0B 00 21 FA BE 00 00 00 06 49 6E
74 30 2F 31 00 00 01 C8 00 00 00 09 49 6E 74 2F
30 2F 31 2F 34 00 00 00 CD 00 00 00 09 69 6E 74
2F 30 2F 31 2F 32 00 00 00 09 36 A7 70 89 37 0C

```

30 71 00 00 00 0B 00 00 00 01 00 00 00 00 41 91  
BF 09 00 00 01 69 00 00 00 07 50 72 65 6D 69 75  
6D 00 00 00 02 00 00 00 00 04 71 9A 2A 00 00 00  
00 00 01 27 A9 00 00 00 97 00 00 00 01 00 16 3D  
73 00 00 1E 0E

breakdown of IPDR/SP 2.1 DOCSIS Usage Billing Records:

cmts01.mso.com : CMTSHostName : string  
00 00 00 0E 63 6D 74 73 30 31 2E 6D 73 6F 2E 63 6F 6D  
10.40.57.11 : CMTSipAddress : ipv4Addr  
0A 28 39 0B  
2226878 : CMTSsysUpTime : unsignedInt  
00 21 FA BE  
Int0/1 : CMTScatvIfName : string  
00 00 00 06 49 6E 74 30 2F 31  
456 : CMTScatvIfIndex : unsignedInt  
00 00 01 C8  
Int/0/1/4 : CMTSupIfName : string  
00 00 00 09 49 6E 74 2F 30 2F 31 2F 34  
205 : CMTSupIfType : int  
00 00 00 CD  
int/0/1/2 : CMTSdownIfName : string  
00 00 00 09 69 6E 74 2F 30 2F 31 2F 32  
00-09-36-A7-70-89 : CMmacAddress : macAddress  
00 00 00 09 36 A7 70 89  
55.12.48.113 : CMipAddress : ipv4Addr  
37 0C 30 71  
11 : CMdocsisMode : int  
00 00 00 0B  
1 : RecType : int  
00 00 00 01  
2004-11-10T07:11:05Z : RecCreationTime : dateTimeMsec  
00 00 00 00 41 91 BF 09  
361 : serviceIdentifier : unsignedInt  
00 00 01 69  
Premium : serviceClassName : string  
00 00 00 07 50 72 65 6D 69 75 6D  
2 : serviceDirection : int  
00 00 00 02  
74553898 : serviceOctetsPassed : unsignedLong  
00 00 00 00 04 71 9A 2A  
75689 : servicePktsPassed : unsignedLong  
00 00 00 00 00 01 27 A9  
151 : serviceSlaDropPkts : unsignedInt  
00 00 00 97  
1 : serviceSlaDelayPkts : unsignedInt  
00 00 00 01  
1457523 : serviceTimeCreated : unsignedInt  
00 16 3D 73  
7694 : serviceTimeActive : unsignedInt  
00 00 1E 0E

```

-->
<IPDR xsi:type="DOCSIS-Type">
  <CMTSHostName>cmts01.mso.com</CMTSHostName>
  <CMTSIPAddress>10.40.57.11</CMTSIPAddress>
  <CMTSsysUpTime>2226878</CMTSsysUpTime>
  <CMTScatvIfName>Int0/1</CMTScatvIfName>
  <CMTScatvIfIndex>456</CMTScatvIfIndex>
  <CMTSupIfName>Int/0/1/4</CMTSupIfName>
  <CMTSupIfType>205</CMTSupIfType>
  <CMTSdownIfName>int/0/1/2</CMTSdownIfName>
  <CMmacAddress>00-09-36-A7-70-89</CMmacAddress>
  <CMipAddress>55.12.48.113</CMipAddress>
  <CMdocsisMode>11</CMdocsisMode>
  <RecType>1</RecType>
  <RecCreationTime>2004-11-10T07:11:05Z</RecCreationTime>
  <serviceIdentifier>361</serviceIdentifier>
  <serviceClassName>Premium</serviceClassName>
  <serviceDirection>2</serviceDirection>
  <serviceOctetsPassed>82039724</serviceOctetsPassed>
  <servicePktsPassed>178735</servicePktsPassed>
  <serviceSlaDropPkts>893</serviceSlaDropPkts>
  <serviceSlaDelayPkts>17</serviceSlaDelayPkts>
  <serviceTimeCreated>1550223</serviceTimeCreated>
  <serviceTimeActive>6767</serviceTimeActive>
</IPDR>
  <!--
  /* IPDR/SP 2.1 XDR encoded dataRecord in IPDR/SP DATA message */
  00 00 00 0E 63 6D 74 73 30 31 2E 6D 73 6F 2E 63
  6F 6D 0A 28 39 0B 00 21 FA BE 00 00 00 06 49 6E
  74 30 2F 31 00 00 01 C8 00 00 00 09 49 6E 74 2F
  30 2F 31 2F 34 00 00 00 CD 00 00 00 09 69 6E 74
  2F 30 2F 31 2F 32 00 00 00 09 36 A7 70 89 37 0C
  30 71 00 00 00 0B 00 00 00 01 00 00 00 00 41 91
  BF 09 00 00 01 69 00 00 00 07 50 72 65 6D 69 75
  6D 00 00 00 02 00 00 00 00 04 E3 D3 AC 00 00 00
  00 00 02 BA 2F 00 00 03 7D 00 00 00 11 00 17 A7
  8F 00 00 1A 6F

breakdown of IPDR/SP 2.1 DOCSIS Usage Billing Records:
cmts01.mso.com : CMTSHostName : string
  00 00 00 0E 63 6D 74 73 30 31 2E 6D 73 6F 2E 63 6F 6D
10.40.57.11 : CMTSIPAddress : ipV4Addr
  0A 28 39 0B
2226878 : CMTSsysUpTime : unsignedInt
  00 21 FA BE
Int0/1 : CMTScatvIfName : string
  00 00 00 06 49 6E 74 30 2F 31
456 : CMTScatvIfIndex : unsignedInt
  00 00 01 C8
Int/0/1/4 : CMTSupIfName : string
  00 00 00 09 49 6E 74 2F 30 2F 31 2F 34
205 : CMTSupIfType : int
  00 00 00 CD
int/0/1/2 : CMTSdownIfName : string

```

```

00 00 00 09 69 6E 74 2F 30 2F 31 2F 32
00-09-36-A7-70-89 : CMmacAddress : macAddress
00 00 00 09 36 A7 70 89
55.12.48.113 : CMipAddress : ipV4Addr
37 0C 30 71
11 : CMdocsisMode : int
00 00 00 0B
1 : RecType : int
00 00 00 01
2004-11-10T07:11:05Z : RecCreationTime : dateTimeMsec
00 00 00 00 41 91 BF 09
361 : serviceIdentifier : unsignedInt
00 00 01 69
Premium : serviceClassName : string
00 00 00 07 50 72 65 6D 69 75 6D
2 : serviceDirection : int
00 00 00 02
82039724 : serviceOctetsPassed : unsignedLong
00 00 00 00 04 E3 D3 AC
178735 : servicePktsPassed : unsignedLong
00 00 00 00 00 02 BA 2F
893 : serviceSlaDropPkts : unsignedInt
00 00 03 7D
17 : serviceSlaDelayPkts : unsignedInt
00 00 00 11
1550223 : serviceTimeCreated : unsignedInt
00 17 A7 8F
6767 : serviceTimeActive : unsignedInt
00 00 1A 6F

```

```
-->
```

```

<IPDR xsi:type="DOCSIS-Type">
  <CMTSHostName>cmts01.mso.com</CMTSHostName>
  <CMTSipAddress>10.40.57.11</CMTSipAddress>
  <CMTSsysUpTime>2226878</CMTSsysUpTime>
  <CMTScatvIfName>Int0/1</CMTScatvIfName>
  <CMTScatvIfIndex>456</CMTScatvIfIndex>
  <CMTSupIfName>Int/0/1/4</CMTSupIfName>
  <CMTSupIfType>205</CMTSupIfType>
  <CMTSdownIfName>int/0/1/2</CMTSdownIfName>
  <CMmacAddress>00-09-36-A7-70-89</CMmacAddress>
  <CMipAddress>55.12.48.113</CMipAddress>
  <CMdocsisMode>11</CMdocsisMode>
  <RecType>1</RecType>
  <RecCreationTime>2004-11-10T07:11:05Z</RecCreationTime>
  <serviceIdentifier>361</serviceIdentifier>
  <serviceClassName>Premium</serviceClassName>
  <serviceDirection>2</serviceDirection>
  <serviceOctetsPassed>46782560</serviceOctetsPassed>
  <servicePktsPassed>118137</servicePktsPassed>
  <serviceSlaDropPkts>590</serviceSlaDropPkts>
  <serviceSlaDelayPkts>11</serviceSlaDelayPkts>
  <serviceTimeCreated>1309123</serviceTimeCreated>
  <serviceTimeActive>9178</serviceTimeActive>

```

```

</IPDR>
  <!--
  /* IPDR/SP 2.1 XDR encoded dataRecord in IPDR/SP DATA message */
  00 00 00 0E 63 6D 74 73 30 31 2E 6D 73 6F 2E 63
  6F 6D 0A 28 39 0B 00 21 FA BF 00 00 00 06 49 6E
  74 30 2F 31 00 00 01 C8 00 00 00 09 49 6E 74 2F
  30 2F 31 2F 34 00 00 00 CD 00 00 00 09 69 6E 74
  2F 30 2F 31 2F 32 00 00 00 09 36 A7 70 89 37 0C
  30 71 00 00 00 0B 00 00 00 01 00 00 00 00 41 91
  BF 09 00 00 01 69 00 00 00 07 50 72 65 6D 69 75
  6D 00 00 00 02 00 00 00 00 02 C9 D8 60 00 00 00
  00 00 01 CD 79 00 00 02 4E 00 00 00 0B 00 13 F9
  C3 00 00 23 DA

```

breakdown of IPDR/SP 2.1 DOCSIS Usage Billing Records:

```

cmts01.mso.com : CMTSHostName : string
  00 00 00 0E 63 6D 74 73 30 31 2E 6D 73 6F 2E 63 6F 6D
10.40.57.11 : CMTSipAddress : ipV4Addr
  0A 28 39 0B
2226879 : CMTSsysUpTime : unsignedInt
  00 21 FA BF
Int0/1 : CMTScatvIfName : string
  00 00 00 06 49 6E 74 30 2F 31
456 : CMTScatvIfIndex : unsignedInt
  00 00 01 C8
Int/0/1/4 : CMTSupIfName : string
  00 00 00 09 49 6E 74 2F 30 2F 31 2F 34
205 : CMTSupIfType : int
  00 00 00 CD
int/0/1/2 : CMTSdownIfName : string
  00 00 00 09 69 6E 74 2F 30 2F 31 2F 32
00-09-36-A7-70-89 : CMmacAddress : macAddress
  00 00 00 09 36 A7 70 89
55.12.48.113 : CMipAddress : ipV4Addr
  37 0C 30 71
11 : CMdocsisMode : int
  00 00 00 0B
1 : RecType : int
  00 00 00 01
2004-11-10T07:11:05Z : RecCreationTime : dateTimeMsec
  00 00 00 00 41 91 BF 09
361 : serviceIdentifier : unsignedInt
  00 00 01 69
Premium : serviceClassName : string
  00 00 00 07 50 72 65 6D 69 75 6D
2 : serviceDirection : int
  00 00 00 02
46782560 : serviceOctetsPassed : unsignedLong
  00 00 00 00 02 C9 D8 60
118137 : servicePktsPassed : unsignedLong
  00 00 00 00 00 01 CD 79
590 : serviceSlaDropPkts : unsignedInt
  00 00 02 4E
11 : serviceSlaDelayPkts : unsignedInt

```

```

00 00 00 0B
1309123 : serviceTimeCreated : unsignedInt
00 13 F9 C3
9178 : serviceTimeActive : unsignedInt
00 00 23 DA

```

```
-->
```

```

<IPDR xsi:type="DOCSIS-Type">
  <CMTSHostName>cmts01.mso.com</CMTSHostName>
  <CMTSipAddress>10.40.57.11</CMTSipAddress>
  <CMTSsysUpTime>2226878</CMTSsysUpTime>
  <CMTScatvIfName>Int0/1</CMTScatvIfName>
  <CMTScatvIfIndex>456</CMTScatvIfIndex>
  <CMTSupIfName>Int/0/1/4</CMTSupIfName>
  <CMTSupIfType>205</CMTSupIfType>
  <CMTSdownIfName>int/0/1/2</CMTSdownIfName>
  <CMmacAddress>00-09-36-A7-70-89</CMmacAddress>
  <CMipAddress>55.12.48.113</CMipAddress>
  <CMdocsisMode>11</CMdocsisMode>
  <RecType>1</RecType>
  <RecCreationTime>2004-11-10T07:11:05Z</RecCreationTime>
  <serviceIdentifier>361</serviceIdentifier>
  <serviceClassName>Premium</serviceClassName>
  <serviceDirection>2</serviceDirection>
  <serviceOctetsPassed>8519519</serviceOctetsPassed>
  <servicePktsPassed>24983</servicePktsPassed>
  <serviceSlaDropPkts>124</serviceSlaDropPkts>
  <serviceSlaDelayPkts>2</serviceSlaDelayPkts>
  <serviceTimeCreated>1959624</serviceTimeCreated>
  <serviceTimeActive>2673</serviceTimeActive>
</IPDR>

```

```
<!--
```

```

/* IPDR/SP 2.1 XDR encoded dataRecord in IPDR/SP DATA message */
00 00 00 0E 63 6D 74 73 30 31 2E 6D 73 6F 2E 63
6F 6D 0A 28 39 0B 00 21 FA BF 00 00 00 06 49 6E
74 30 2F 31 00 00 01 C8 00 00 00 09 49 6E 74 2F
30 2F 31 2F 34 00 00 00 CD 00 00 00 09 69 6E 74
2F 30 2F 31 2F 32 00 00 00 09 36 A7 70 89 37 0C
30 71 00 00 00 0B 00 00 00 01 00 00 00 00 41 91
BF 09 00 00 01 69 00 00 00 07 50 72 65 6D 69 75
6D 00 00 00 02 00 00 00 00 00 81 FF 5F 00 00 00
00 00 00 61 97 00 00 00 7C 00 00 00 02 00 1D E6
C8 00 00 0A 71

```

breakdown of IPDR/SP 2.1 DOCSIS Usage Billing Records:

```

cmts01.mso.com : CMTSHostName : string
00 00 00 0E 63 6D 74 73 30 31 2E 6D 73 6F 2E 63 6F 6D
10.40.57.11 : CMTSipAddress : ipV4Addr
0A 28 39 0B
2226879 : CMTSsysUpTime : unsignedInt
00 21 FA BF
Int0/1 : CMTScatvIfName : string
00 00 00 06 49 6E 74 30 2F 31
456 : CMTScatvIfIndex : unsignedInt

```

```

00 00 01 C8
Int/0/1/4 : CMTSupIfName : string
00 00 00 09 49 6E 74 2F 30 2F 31 2F 34
205 : CMTSupIfType : int
00 00 00 CD
int/0/1/2 : CMTSdownIfName : string
00 00 00 09 69 6E 74 2F 30 2F 31 2F 32
00-09-36-A7-70-89 : CMmacAddress : macAddress
00 00 00 09 36 A7 70 89
55.12.48.113 : CMipAddress : ipV4Addr
37 0C 30 71
11 : CMdocsisMode : int
00 00 00 0B
1 : RecType : int
00 00 00 01
2004-11-10T07:11:05Z : RecCreationTime : dateTimeMsec
00 00 00 00 41 91 BF 09
361 : serviceIdentifier : unsignedInt
00 00 01 69
Premium : serviceClassName : string
00 00 00 07 50 72 65 6D 69 75 6D
2 : serviceDirection : int
00 00 00 02
8519519 : serviceOctetsPassed : unsignedLong
00 00 00 00 00 81 FF 5F
24983 : servicePktsPassed : unsignedLong
00 00 00 00 00 00 61 97
124 : serviceSlaDropPkts : unsignedInt
00 00 00 7C
2 : serviceSlaDelayPkts : unsignedInt
00 00 00 02
1959624 : serviceTimeCreated : unsignedInt
00 1D E6 C8
2673 : serviceTimeActive : unsignedInt
00 00 0A 71

-->
<IPDR xsi:type="DOCSIS-Type">
  <CMTSHostName>cmts01.mso.com</CMTSHostName>
  <CMTSipAddress>10.40.57.11</CMTSipAddress>
  <CMTSsysUpTime>2226878</CMTSsysUpTime>
  <CMTScatvIfName>Int0/1</CMTScatvIfName>
  <CMTScatvIfIndex>456</CMTScatvIfIndex>
  <CMTSupIfName>Int/0/1/4</CMTSupIfName>
  <CMTSupIfType>205</CMTSupIfType>
  <CMTSdownIfName>int/0/1/2</CMTSdownIfName>
  <CMmacAddress>00-09-36-A7-70-89</CMmacAddress>
  <CMipAddress>55.12.48.113</CMipAddress>
  <CMdocsisMode>11</CMdocsisMode>
  <RecType>1</RecType>
  <RecCreationTime>2004-11-10T07:11:05Z</RecCreationTime>
  <serviceIdentifier>361</serviceIdentifier>
  <serviceClassName>Premium</serviceClassName>
  <serviceDirection>2</serviceDirection>

```

```

<serviceOctetsPassed>1779763</serviceOctetsPassed>
<servicePktsPassed>4494</servicePktsPassed>
<serviceSlaDropPkts>22</serviceSlaDropPkts>
<serviceSlaDelayPkts>0</serviceSlaDelayPkts>
<serviceTimeCreated>2213324</serviceTimeCreated>
<serviceTimeActive>135</serviceTimeActive>
</IPDR>
  <!--
  /* IPDR/SP 2.1 XDR encoded dataRecord in IPDR/SP DATA message */
  00 00 00 0E 63 6D 74 73 30 31 2E 6D 73 6F 2E 63
  6F 6D 0A 28 39 0B 00 21 FA BF 00 00 00 06 49 6E
  74 30 2F 31 00 00 01 C8 00 00 00 09 49 6E 74 2F
  30 2F 31 2F 34 00 00 00 CD 00 00 00 09 69 6E 74
  2F 30 2F 31 2F 32 00 00 00 09 36 A7 70 89 37 0C
  30 71 00 00 00 0B 00 00 00 01 00 00 00 00 41 91
  BF 09 00 00 01 69 00 00 00 07 50 72 65 6D 69 75
  6D 00 00 00 02 00 00 00 00 00 1B 28 33 00 00 00
  00 00 00 11 8E 00 00 00 16 00 00 00 00 00 21 C5
  CC 00 00 00 87

```

breakdown of IPDR/SP 2.1 DOCSIS Usage Billing Records:

```

cmts01.mso.com : CMTSHostName : string
  00 00 00 0E 63 6D 74 73 30 31 2E 6D 73 6F 2E 63 6F 6D
10.40.57.11 : CMTSipAddress : ipV4Addr
  0A 28 39 0B
2226879 : CMTSsysUpTime : unsignedInt
  00 21 FA BF
Int0/1 : CMTScatvIfName : string
  00 00 00 06 49 6E 74 30 2F 31
456 : CMTScatvIfIndex : unsignedInt
  00 00 01 C8
Int/0/1/4 : CMTSupIfName : string
  00 00 00 09 49 6E 74 2F 30 2F 31 2F 34
205 : CMTSupIfType : int
  00 00 00 CD
int/0/1/2 : CMTSdownIfName : string
  00 00 00 09 69 6E 74 2F 30 2F 31 2F 32
00-09-36-A7-70-89 : CMmacAddress : macAddress
  00 00 00 09 36 A7 70 89
55.12.48.113 : CMipAddress : ipV4Addr
  37 0C 30 71
11 : CMdocsisMode : int
  00 00 00 0B
1 : RecType : int
  00 00 00 01
2004-11-10T07:11:05Z : RecCreationTime : dateTimeMsec
  00 00 00 00 41 91 BF 09
361 : serviceIdentifier : unsignedInt
  00 00 01 69
Premium : serviceClassName : string
  00 00 00 07 50 72 65 6D 69 75 6D
2 : serviceDirection : int
  00 00 00 02
1779763 : serviceOctetsPassed : unsignedLong

```

```

00 00 00 00 00 1B 28 33
4494 : servicePktsPassed : unsignedLong
00 00 00 00 00 00 11 8E
22 : serviceSlaDropPkts : unsignedInt
00 00 00 16
0 : serviceSlaDelayPkts : unsignedInt
00 00 00 00
2213324 : serviceTimeCreated : unsignedInt
00 21 C5 CC
135 : serviceTimeActive : unsignedInt
00 00 00 87

```

```

-->
<IPDR xsi:type="DOCSIS-Type">
  <CMTSHostName>cmts01.mso.com</CMTSHostName>
  <CMTSipAddress>10.40.57.11</CMTSipAddress>
  <CMTSsysUpTime>2226878</CMTSsysUpTime>
  <CMTScatvIfName>Int0/1</CMTScatvIfName>
  <CMTScatvIfIndex>456</CMTScatvIfIndex>
  <CMTSupIfName>Int/0/1/4</CMTSupIfName>
  <CMTSupIfType>205</CMTSupIfType>
  <CMTSdownIfName>int/0/1/2</CMTSdownIfName>
  <CMmacAddress>00-09-36-A7-70-89</CMmacAddress>
  <CMipAddress>55.12.48.113</CMipAddress>
  <CMdocsisMode>11</CMdocsisMode>
  <RecType>1</RecType>
  <RecCreationTime>2004-11-10T07:11:05Z</RecCreationTime>
  <serviceIdentifier>361</serviceIdentifier>
  <serviceClassName>Premium</serviceClassName>
  <serviceDirection>2</serviceDirection>
  <serviceOctetsPassed>25804395</serviceOctetsPassed>
  <servicePktsPassed>29157</servicePktsPassed>
  <serviceSlaDropPkts>58</serviceSlaDropPkts>
  <serviceSlaDelayPkts>0</serviceSlaDelayPkts>
  <serviceTimeCreated>1930424</serviceTimeCreated>
  <serviceTimeActive>2965</serviceTimeActive>
</IPDR>
  <!--
  /* IPDR/SP 2.1 XDR encoded dataRecord in IPDR/SP DATA message */
  00 00 00 0E 63 6D 74 73 30 31 2E 6D 73 6F 2E 63
  6F 6D 0A 28 39 0B 00 21 FA BF 00 00 00 06 49 6E
  74 30 2F 31 00 00 01 C8 00 00 00 09 49 6E 74 2F
  30 2F 31 2F 34 00 00 00 CD 00 00 00 09 69 6E 74
  2F 30 2F 31 2F 32 00 00 00 09 36 A7 70 89 37 0C
  30 71 00 00 00 0B 00 00 00 01 00 00 00 00 41 91
  BF 09 00 00 01 69 00 00 00 07 50 72 65 6D 69 75
  6D 00 00 00 02 00 00 00 00 01 89 BE 6B 00 00 00
  00 00 00 71 E5 00 00 00 3A 00 00 00 00 00 1D 74
  B8 00 00 0B 95

```

breakdown of IPDR/SP 2.1 DOCSIS Usage Billing Records:

```

cmts01.mso.com : CMTSHostName : string
  00 00 00 0E 63 6D 74 73 30 31 2E 6D 73 6F 2E 63 6F 6D
10.40.57.11 : CMTSipAddress : ipV4Addr
  0A 28 39 0B
2226879 : CMTSsysUpTime : unsignedInt
  00 21 FA BF
Int0/1 : CMTScatvIfName : string
  00 00 00 06 49 6E 74 30 2F 31
456 : CMTScatvIfIndex : unsignedInt
  00 00 01 C8
Int0/1/4 : CMTSupIfName : string
  00 00 00 09 49 6E 74 2F 30 2F 31 2F 34
205 : CMTSupIfType : int
  00 00 00 CD
int0/1/2 : CMTSdownIfName : string
  00 00 00 09 69 6E 74 2F 30 2F 31 2F 32
00-09-36-A7-70-89 : CMmacAddress : macAddress
  00 00 00 09 36 A7 70 89
55.12.48.113 : CMipAddress : ipV4Addr
  37 0C 30 71
11 : CMdocsisMode : int
  00 00 00 0B
1 : RecType : int
  00 00 00 01
2004-11-10T07:11:05Z : RecCreationTime : dateTimeMsec
  00 00 00 00 41 91 BF 09
361 : serviceIdentifier : unsignedInt
  00 00 01 69
Premium : serviceClassName : string
  00 00 00 07 50 72 65 6D 69 75 6D
2 : serviceDirection : int
  00 00 00 02
25804395 : serviceOctetsPassed : unsignedLong
  00 00 00 00 01 89 BE 6B
29157 : servicePktsPassed : unsignedLong
  00 00 00 00 00 00 71 E5
58 : serviceSlaDropPkts : unsignedInt
  00 00 00 3A
0 : serviceSlaDelayPkts : unsignedInt
  00 00 00 00
1930424 : serviceTimeCreated : unsignedInt
  00 1D 74 B8
2965 : serviceTimeActive : unsignedInt
  00 00 0B 95

```

-->

```

<IPDR xsi:type="DOCSIS-Type">
  <CMTSHostName>cmts01.mso.com</CMTSHostName>
  <CMTSipAddress>10.40.57.11</CMTSipAddress>
  <CMTSsysUpTime>2226878</CMTSsysUpTime>
  <CMTScatvIfName>Int0/1</CMTScatvIfName>
  <CMTScatvIfIndex>456</CMTScatvIfIndex>
  <CMTSupIfName>Int0/1/4</CMTSupIfName>

```

```

<CMTSupIfType>205</CMTSupIfType>
<CMTSdownIfName>int/0/1/2</CMTSdownIfName>
<CMmacAddress>00-09-36-A7-70-89</CMmacAddress>
<CMipAddress>55.12.48.113</CMipAddress>
<CMdocsisMode>11</CMdocsisMode>
<RecType>1</RecType>
<RecCreationTime>2004-11-10T07:11:05Z</RecCreationTime>
<serviceIdentifier>361</serviceIdentifier>
<serviceClassName>Premium</serviceClassName>
<serviceDirection>2</serviceDirection>
<serviceOctetsPassed>36144658</serviceOctetsPassed>
<servicePktsPassed>73464</servicePktsPassed>
<serviceSlaDropPkts>367</serviceSlaDropPkts>
<serviceSlaDelayPkts>7</serviceSlaDelayPkts>
<serviceTimeCreated>1942424</serviceTimeCreated>
<serviceTimeActive>2845</serviceTimeActive>
</IPDR>
  <!--
  /* IPDR/SP 2.1 XDR encoded dataRecord in IPDR/SP DATA message */
  00 00 00 0E 63 6D 74 73 30 31 2E 6D 73 6F 2E 63
  6F 6D 0A 28 39 0B 00 21 FA BF 00 00 00 06 49 6E
  74 30 2F 31 00 00 01 C8 00 00 00 09 49 6E 74 2F
  30 2F 31 2F 34 00 00 00 CD 00 00 00 09 69 6E 74
  2F 30 2F 31 2F 32 00 00 00 09 36 A7 70 89 37 0C
  30 71 00 00 00 0B 00 00 00 01 00 00 00 00 41 91
  BF 09 00 00 01 69 00 00 00 07 50 72 65 6D 69 75
  6D 00 00 00 02 00 00 00 00 02 27 86 12 00 00 00
  00 00 01 1E F8 00 00 01 6F 00 00 00 07 00 1D A3
  98 00 00 0B 1D

breakdown of IPDR/SP 2.1 DOCSIS Usage Billing Records:
cmts01.mso.com : CMTSHostName : string
  00 00 00 0E 63 6D 74 73 30 31 2E 6D 73 6F 2E 63 6F 6D
10.40.57.11 : CMTSipAddress : ipV4Addr
  0A 28 39 0B
2226879 : CMTSsysUpTime : unsignedInt
  00 21 FA BF
Int0/1 : CMTScatvIfName : string
  00 00 00 06 49 6E 74 30 2F 31
456 : CMTScatvIfIndex : unsignedInt
  00 00 01 C8
Int0/1/4 : CMTSupIfName : string
  00 00 00 09 49 6E 74 2F 30 2F 31 2F 34
205 : CMTSupIfType : int
  00 00 00 CD
int/0/1/2 : CMTSdownIfName : string
  00 00 00 09 69 6E 74 2F 30 2F 31 2F 32
00-09-36-A7-70-89 : CMmacAddress : macAddress
  00 00 00 09 36 A7 70 89
55.12.48.113 : CMipAddress : ipV4Addr
  37 0C 30 71
11 : CMdocsisMode : int
  00 00 00 0B
1 : RecType : int

```

```

    00 00 00 01
2004-11-10T07:11:05Z : RecCreationTime : dateTimeMsec
    00 00 00 00 41 91 BF 09
361 : serviceIdentifier : unsignedInt
    00 00 01 69
Premium : serviceClassName : string
    00 00 00 07 50 72 65 6D 69 75 6D
2 : serviceDirection : int
    00 00 00 02
36144658 : serviceOctetsPassed : unsignedLong
    00 00 00 00 02 27 86 12
73464 : servicePktsPassed : unsignedLong
    00 00 00 00 00 01 1E F8
367 : serviceSlaDropPkts : unsignedInt
    00 00 01 6F
7 : serviceSlaDelayPkts : unsignedInt
    00 00 00 07
1942424 : serviceTimeCreated : unsignedInt
    00 1D A3 98
2845 : serviceTimeActive : unsignedInt
    00 00 0B 1D

-->
<IPDR xsi:type="DOCSIS-Type">
  <CMTSHostName>cmts01.mso.com</CMTSHostName>
  <CMTSipAddress>10.40.57.11</CMTSipAddress>
  <CMTSsysUpTime>2226878</CMTSsysUpTime>
  <CMTScatvIfName>Int0/1</CMTScatvIfName>
  <CMTScatvIfIndex>456</CMTScatvIfIndex>
  <CMTSupIfName>Int/0/1/4</CMTSupIfName>
  <CMTSupIfType>205</CMTSupIfType>
  <CMTSdownIfName>int/0/1/2</CMTSdownIfName>
  <CMmacAddress>00-09-36-A7-70-89</CMmacAddress>
  <CMipAddress>55.12.48.113</CMipAddress>
  <CMdocsisMode>11</CMdocsisMode>
  <RecType>1</RecType>
  <RecCreationTime>2004-11-10T07:11:05Z</RecCreationTime>
  <serviceIdentifier>361</serviceIdentifier>
  <serviceClassName>Premium</serviceClassName>
  <serviceDirection>2</serviceDirection>
  <serviceOctetsPassed>29173655</serviceOctetsPassed>
  <servicePktsPassed>27113</servicePktsPassed>
  <serviceSlaDropPkts>54</serviceSlaDropPkts>
  <serviceSlaDelayPkts>0</serviceSlaDelayPkts>
  <serviceTimeCreated>1928224</serviceTimeCreated>
  <serviceTimeActive>2987</serviceTimeActive>
</IPDR>
  <!--
  /* IPDR/SP 2.1 XDR encoded dataRecord in IPDR/SP DATA message */
  00 00 00 0E 63 6D 74 73 30 31 2E 6D 73 6F 2E 63
  6F 6D 0A 28 39 0B 00 21 FA BF 00 00 00 06 49 6E
  74 30 2F 31 00 00 01 C8 00 00 00 09 49 6E 74 2F
  30 2F 31 2F 34 00 00 00 CD 00 00 00 09 69 6E 74
  2F 30 2F 31 2F 32 00 00 00 09 36 A7 70 89 37 0C

```

30 71 00 00 00 0B 00 00 00 01 00 00 00 00 41 91  
BF 09 00 00 01 69 00 00 00 07 50 72 65 6D 69 75  
6D 00 00 00 02 00 00 00 00 01 BD 27 97 00 00 00  
00 00 00 69 E9 00 00 00 36 00 00 00 00 00 1D 6C  
20 00 00 0B AB

breakdown of IPDR/SP 2.1 DOCSIS Usage Billing Records:

cmts01.mso.com : CMTSHostName : string  
00 00 00 0E 63 6D 74 73 30 31 2E 6D 73 6F 2E 63 6F 6D  
10.40.57.11 : CMTSipAddress : ipV4Addr  
0A 28 39 0B  
2226879 : CMTSsysUpTime : unsignedInt  
00 21 FA BF  
Int0/1 : CMTScatvIfName : string  
00 00 00 06 49 6E 74 30 2F 31  
456 : CMTScatvIfIndex : unsignedInt  
00 00 01 C8  
Int/0/1/4 : CMTSupIfName : string  
00 00 00 09 49 6E 74 2F 30 2F 31 2F 34  
205 : CMTSupIfType : int  
00 00 00 CD  
int/0/1/2 : CMTSdownIfName : string  
00 00 00 09 69 6E 74 2F 30 2F 31 2F 32  
00-09-36-A7-70-89 : CMmacAddress : macAddress  
00 00 00 09 36 A7 70 89  
55.12.48.113 : CMipAddress : ipV4Addr  
37 0C 30 71  
11 : CMdocsisMode : int  
00 00 00 0B  
1 : RecType : int  
00 00 00 01  
2004-11-10T07:11:05Z : RecCreationTime : dateTimeMsec  
00 00 00 00 41 91 BF 09  
361 : serviceIdentifier : unsignedInt  
00 00 01 69  
Premium : serviceClassName : string  
00 00 00 07 50 72 65 6D 69 75 6D  
2 : serviceDirection : int  
00 00 00 02  
29173655 : serviceOctetsPassed : unsignedLong  
00 00 00 00 01 BD 27 97  
27113 : servicePktsPassed : unsignedLong  
00 00 00 00 00 00 69 E9  
54 : serviceSlaDropPkts : unsignedInt  
00 00 00 36  
0 : serviceSlaDelayPkts : unsignedInt  
00 00 00 00  
1928224 : serviceTimeCreated : unsignedInt  
00 1D 6C 20  
2987 : serviceTimeActive : unsignedInt  
00 00 0B AB

```
-->
<IPDR xsi:type="DOCSIS-Type">
  <CMTSHostName>cmts01.mso.com</CMTSHostName>
  <CMTSipAddress>10.40.57.11</CMTSipAddress>
  <CMTSsysUpTime>2226878</CMTSsysUpTime>
  <CMTScatvIfName>Int0/1</CMTScatvIfName>
  <CMTScatvIfIndex>456</CMTScatvIfIndex>
  <CMTSupIfName>Int/0/1/4</CMTSupIfName>
  <CMTSupIfType>205</CMTSupIfType>
  <CMTSdownIfName>int/0/1/2</CMTSdownIfName>
  <CMmacAddress>00-09-36-A7-70-89</CMmacAddress>
  <CMipAddress>55.12.48.113</CMipAddress>
  <CMdocsisMode>11</CMdocsisMode>
  <RecType>1</RecType>
  <RecCreationTime>2004-11-10T07:11:05Z</RecCreationTime>
  <serviceIdentifier>361</serviceIdentifier>
  <serviceName>Premium</serviceName>
  <serviceDirection>2</serviceDirection>
  <serviceOctetsPassed>350288</serviceOctetsPassed>
  <servicePktsPassed>785</servicePktsPassed>
  <serviceSlaDropPkts>3</serviceSlaDropPkts>
  <serviceSlaDelayPkts>0</serviceSlaDelayPkts>
  <serviceTimeCreated>2222624</serviceTimeCreated>
  <serviceTimeActive>42</serviceTimeActive>
</IPDR>
  <!--
  /* IPDR/SP 2.1 XDR encoded dataRecord in IPDR/SP DATA message */
  00 00 00 0E 63 6D 74 73 30 31 2E 6D 73 6F 2E 63
  6F 6D 0A 28 39 0B 00 21 FA BF 00 00 00 06 49 6E
  74 30 2F 31 00 00 01 C8 00 00 00 09 49 6E 74 2F
  30 2F 31 2F 34 00 00 00 CD 00 00 00 09 69 6E 74
  2F 30 2F 31 2F 32 00 00 00 09 36 A7 70 89 37 0C
  30 71 00 00 00 0B 00 00 00 01 00 00 00 00 41 91
  BF 09 00 00 01 69 00 00 00 07 50 72 65 6D 69 75
  6D 00 00 00 02 00 00 00 00 00 05 58 50 00 00 00
  00 00 00 03 11 00 00 00 03 00 00 00 00 00 21 EA
  20 00 00 00 2A
```

breakdown of IPDR/SP 2.1 DOCSIS Usage Billing Records:

```
cmts01.mso.com : CMTSHostName : string
  00 00 00 0E 63 6D 74 73 30 31 2E 6D 73 6F 2E 63 6F 6D
10.40.57.11 : CMTSipAddress : ipV4Addr
  0A 28 39 0B
2226879 : CMTSsysUpTime : unsignedInt
  00 21 FA BF
Int0/1 : CMTScatvIfName : string
  00 00 00 06 49 6E 74 30 2F 31
456 : CMTScatvIfIndex : unsignedInt
  00 00 01 C8
Int/0/1/4 : CMTSupIfName : string
  00 00 00 09 49 6E 74 2F 30 2F 31 2F 34
205 : CMTSupIfType : int
  00 00 00 CD
int/0/1/2 : CMTSdownIfName : string
```

```

00 00 00 09 69 6E 74 2F 30 2F 31 2F 32
00-09-36-A7-70-89 : CMmacAddress : macAddress
00 00 00 09 36 A7 70 89
55.12.48.113 : CMipAddress : ipV4Addr
37 0C 30 71
11 : CMdocsisMode : int
00 00 00 0B
1 : RecType : int
00 00 00 01
2004-11-10T07:11:05Z : RecCreationTime : dateTimeMsec
00 00 00 00 41 91 BF 09
361 : serviceIdentifier : unsignedInt
00 00 01 69
Premium : serviceClassName : string
00 00 00 07 50 72 65 6D 69 75 6D
2 : serviceDirection : int
00 00 00 02
350288 : serviceOctetsPassed : unsignedLong
00 00 00 00 00 05 58 50
785 : servicePktsPassed : unsignedLong
00 00 00 00 00 00 03 11
3 : serviceSlaDropPkts : unsignedInt
00 00 00 03
0 : serviceSlaDelayPkts : unsignedInt
00 00 00 00
2222624 : serviceTimeCreated : unsignedInt
00 21 EA 20
42 : serviceTimeActive : unsignedInt
00 00 00 2A

```

-->

```

<IPDR xsi:type="DOCSIS-Type">
  <CMTSHostName>cmts01.mso.com</CMTSHostName>
  <CMTSipAddress>10.40.57.11</CMTSipAddress>
  <CMTSsysUpTime>2226878</CMTSsysUpTime>
  <CMTScatvIfName>Int0/1</CMTScatvIfName>
  <CMTScatvIfIndex>456</CMTScatvIfIndex>
  <CMTSupIfName>Int/0/1/4</CMTSupIfName>
  <CMTSupIfType>205</CMTSupIfType>
  <CMTSdownIfName>int/0/1/2</CMTSdownIfName>
  <CMmacAddress>00-09-36-A7-70-89</CMmacAddress>
  <CMipAddress>55.12.48.113</CMipAddress>
  <CMdocsisMode>11</CMdocsisMode>
  <RecType>1</RecType>
  <RecCreationTime>2004-11-10T07:11:05Z</RecCreationTime>
  <serviceIdentifier>361</serviceIdentifier>
  <serviceClassName>Premium</serviceClassName>
  <serviceDirection>2</serviceDirection>
  <serviceOctetsPassed>712067</serviceOctetsPassed>
  <servicePktsPassed>1462</servicePktsPassed>
  <serviceSlaDropPkts>7</serviceSlaDropPkts>
  <serviceSlaDelayPkts>0</serviceSlaDelayPkts>
  <serviceTimeCreated>2218524</serviceTimeCreated>
  <serviceTimeActive>83</serviceTimeActive>

```

```

</IPDR>
  <!--
  /* IPDR/SP 2.1 XDR encoded dataRecord in IPDR/SP DATA message */
  00 00 00 0E 63 6D 74 73 30 31 2E 6D 73 6F 2E 63
  6F 6D 0A 28 39 0B 00 21 FA BF 00 00 00 06 49 6E
  74 30 2F 31 00 00 01 C8 00 00 00 09 49 6E 74 2F
  30 2F 31 2F 34 00 00 00 CD 00 00 00 09 69 6E 74
  2F 30 2F 31 2F 32 00 00 00 09 36 A7 70 89 37 0C
  30 71 00 00 00 0B 00 00 00 01 00 00 00 00 41 91
  BF 09 00 00 01 69 00 00 00 07 50 72 65 6D 69 75
  6D 00 00 00 02 00 00 00 00 00 0A DD 83 00 00 00
  00 00 00 05 B6 00 00 00 07 00 00 00 00 00 21 DA
  1C 00 00 00 53

breakdown of IPDR/SP 2.1 DOCSIS Usage Billing Records:
cmts01.mso.com : CMTSHostName : string
  00 00 00 0E 63 6D 74 73 30 31 2E 6D 73 6F 2E 63 6F 6D
10.40.57.11 : CMTSipAddress : ipv4Addr
  0A 28 39 0B
2226879 : CMTSsysUpTime : unsignedInt
  00 21 FA BF
Int0/1 : CMTScatvIfName : string
  00 00 00 06 49 6E 74 30 2F 31
456 : CMTScatvIfIndex : unsignedInt
  00 00 01 C8
Int/0/1/4 : CMTSupIfName : string
  00 00 00 09 49 6E 74 2F 30 2F 31 2F 34
205 : CMTSupIfType : int
  00 00 00 CD
int/0/1/2 : CMTSdownIfName : string
  00 00 00 09 69 6E 74 2F 30 2F 31 2F 32
00-09-36-A7-70-89 : CMmacAddress : macAddress
  00 00 00 09 36 A7 70 89
55.12.48.113 : CMipAddress : ipv4Addr
  37 0C 30 71
11 : CMdocsisMode : int
  00 00 00 0B
1 : RecType : int
  00 00 00 01
2004-11-10T07:11:05Z : RecCreationTime : dateTimeMsec
  00 00 00 00 41 91 BF 09
361 : serviceIdentifier : unsignedInt
  00 00 01 69
Premium : serviceClassName : string
  00 00 00 07 50 72 65 6D 69 75 6D
2 : serviceDirection : int
  00 00 00 02
712067 : serviceOctetsPassed : unsignedLong
  00 00 00 00 00 0A DD 83
1462 : servicePktsPassed : unsignedLong
  00 00 00 00 00 00 05 B6
7 : serviceSlaDropPkts : unsignedInt
  00 00 00 07
0 : serviceSlaDelayPkts : unsignedInt

```

```
00 00 00 00
2218524 : serviceTimeCreated : unsignedInt
00 21 DA 1C
83 : serviceTimeActive : unsignedInt
00 00 00 53

-->
<IPDRDoc.End count="36" endTime="2004-11-10T07:11:08Z" />
</ipdr:IPDRDoc>
```

This page intentionally left blank.

## Appendix IV Acknowledgments (informative)

On behalf of CableLabs, I would like to thank the following key contributors to DOCSIS 2.0 for their outstanding and superb contributions to this valuable program...

Victor Hou of Juniper Networks (formerly Pacific Broadband) and Yoav Hebron of Conexant led the Physical Layer working groups that rewrote RFI Section 6, and wrote RFI Appendix VII. Ariel Yagil of Texas Instruments, Mike Grimwood of Imedia, Bruce Currivan and Tom Kolze of Broadcom, Hikmet Sari and David Munro of Juniper Networks, David Hull and Shimon Tzukerman of Conexant, Elias Nemer and Hassan Yaghoobi of Intel, and Jack Moran of Motorola participated in those groups.

John Chapman and Dan Crocker of Cisco led the DMPI working group that developed the specification for the CMTS MAC/PHY interface, which became RFI Annex H.

Rich Prodan of Terayon led the OSS working group that developed the new MIB for DOCSIS 2.0 as well as reworking the OSSI specification. Aviv Goren of Terayon, David Raftus of Imedia, Greg Nakanishi of Motorola, Adi Shaliv of Intel, Rich Woundy of Cisco, and Jason Schnitzer of Stargus contributed to that group.

Rusty Cashman of Correlant led the MAC layer working group that reworked much of RFI Sections 8, 9, and 11. Jeff Hoffman of Intel; Lisa Denney of Broadcom; Alon Bernstein of Cisco; Gordon Li of Conexant; Asaf Matatyau of Terayon; Robert Fanfelle of Imedia; David Doan, Christiaan Prins, Leo Zimmerman and Simon Brand of Philips contributed to that working group.

Clive Holborow of Motorola led the System Capabilities working group which rewrote RFI Section 3 and Annex G, and contributed to RFI Sections 6, 9, and 11. Daniel Howard of Broadcom, Noam Geri of TI, and Doug Jones of YAS contributed to that group.

Clive Holborow of Motorola, Victor Hou of Juniper Networks, Mike Grimwood of Imedia, Bruce Currivan and Daniel Howard of Broadcom, Rich Prodan of Terayon, and Hal Roberts of ADC wrote the informational material in RFI Appendix VIII.

David Hull of Conexant, Luc Martens and Wim De Ketelaere of tComLabs, the engineers at UPC, and the Euro-DOCSIS Certification Board for their contributions to RFI Annex F.

The engineers at Terayon, Imedia, Broadcom, Texas Instruments, and Conexant, as well as the members of the IEEE 802.14a Hi-PHY working group (chaired by Roger Durant of Cabletron (now Riverstone)) developed the technology proposals that became DOCSIS 2.0.

George Hart of Rogers Cable, Oleh Sniezko of AT&T Broadband, Dan Rice of Stargus for their guidance and contributions on behalf of CableLabs member companies.

I would also like to recognize Greg White, Mukta Kar, John Eng, Doug Jones, Eduardo Cardona, Dorothy Raymond, Alex Ball, and Cynthia Metsker from CableLabs for their leadership and first class work.

CableLabs and the cable industry as a whole are grateful to these individuals and organizations for their outstanding, first class contributions.

Rouzbeh Yassini  
CEO of YAS ventures, LLC  
Exec Consultant to CableLabs

This page intentionally left blank.

## Appendix V Revisions (informative)

### V.1 ECNs included in SP-OSSlv2.0-I02-020617

Table V-1 Incorporated ECN Table for SP-OSSlv2.0-I02-020617

ECN	Date Accepted	Summary
ossi2-n-02016	02/27/02	Replacement of RF MIB, associated changes.
oss2-n-02024	03/06/02	Version 2.0-specific items.
oss2-n-02053	04/10/02	Delete section 7.3.3.1.
oss2-n-02054	04/03/02	Replace section 7.3.4.1.
oss2-n-02062	04/10/02	Change section 7.4.2.1 and Annex F.
oss2-n-02069	05/01/02	Update to latest IPDR.org specifications.
oss2-n-02079	05/22/02	Clarify 'Storage type' functionality within CMs.
oss2-n-02088	05/29/02	Simplification of the specification.
oss2-n-02107	05/22/02	Update RFI MIB.

### V.2 ECNs included in SP-OSSlv2.0-I03-021218

Table V-2 Incorporated ECN Table for SP-OSSlv2.0-I03-021218

ECN	Date Accepted	Summary
oss2-n-02087	06/12/02	Require the CMTS to support the docsDevBaseGroup.
oss2-n-02120	07/03/02	Correct value of ifSpeed for a USB 1.1 interface.
oss2-n-02124	07/03/02	Clarify wording of two event descriptions.
oss2-n-02134	07/31/02	Correct errors in table 7-6 regarding accessibility of the IF-EXT MIB.
oss2-n-02147	08/14/02	Specify the status of VACM entries in section 5.2.4.
oss2-n-02149	08/14/02	Make RFC2665 error counters optional for CMs and CMTSes.
oss2-n-02151	08/14/02	Make adjustments in Annex A.
oss2-n-02154	08/14/02	Raise priority of three DCC events from Error to Critical.
oss2-n-02158	08/14/02	Better define requirements in section 9.3, CM Diagnostic Capabilities.
oss2-n-02159	08/14/02	Redefine requirements for information available before CM registration.
oss2-n-02160	08/14/02	Augment the number of rows of VACM TreeFamily entries required.
oss2-n-02172	08/14/02	Clarify application of IP, LLC, and NmAccess filters apply to IfIndexes.
oss2-n-02175	09/18/02	Update the Event Messages E206.0 through E209.0.
oss2-n-02191	11/13/02	Correct terms and typo errors, fix discrepancies between v1.1 and v2.0.
oss2-n-02199	11/20/02	Allow use of multicast SIDs in the docsBpiCmTEKTable.
oss2-n-02205	11/06/02	Change the validity periods of BA Mfg and Co-signer CVCs.
oss2-n-02212	11/27/02	Provide new architecture guidelines for interfaces management.
oss2-n-02220	11/27/02	Update DOCS-QOS-MIB related MIB objects' default values.

### V.3 ECNs included in SP-OSSiv2.0-I04-030730

**Table V-3 Incorporated ECN Table for SP-OSSiv2.0-I04-030730**

ECN	Date Accepted	Summary
OSS2-N-02193	12/04/02	Update section 7.4 of Spec to lineup OSSi v1.1 spec and Clarify the Event priority requirements for a safe access to local log From CPE
OSS2-N-02221	12/04/02	Correct DOCS-IF-MIB docsIfQosProfMaxTransmitBurst range according to SP-RFiv2.0-I02-020617
OSS2-N-02234	01/02/03	Changing the specification reference to a new version of the BPI+ specification and the BPI+ MIB draft
OSS2-N-02235	01/02/03	Add a missing event code for DCC.
OSS2-N-02236	01/02/03	Wholesale replacement of section 7.1 and Appendix B to include new spec language throughout, new IPDR schema to support CMdocsisMode element and reporting of DOCSIS 1.0 services, and secure user authentication and secure file transfer via SSH2/SFTP
OSS2-N-03010	02/12/03	ECNs OSS-N-02174 and OSS2-N-02175 made changes to Event Log messaging and inadvertently removed too much of the text.
OSS2-N-03014	02/19/03	Correct an inconsistency regarding access to SNMPv3 MIBs in two areas of the specification
OSS2-N-03017	03/05/03	This ECN corrects a CM priority
OSS2-N-03021	03/12/03	Changing the specification reference to the draft-ietf-ipcdn-bpiplus-mib-05.
OSS2-N-03023	03/12/03	Update OSS specification to support draft-ietf-ipcdn-docs-rfmibv2-05, whose major new feature is the ability to provide CMTS upstream/downstream channel utilization statistics
OSS2-N-03025	6/13/03	Operators have shown interest in having a normalized CM front panel LEDs to simplify users self-diagnostic and customer support when recognizing the CM registration state.
OSS2-N-03034	4/9/03	This ECR corrects CM and CMTS default Priority
OSS2-N-03046	4/30/03	Allows CM devices the freedom to log Vendor-specific messaging for all Event Priorities in the local-log
OSS2-N-03053	5/29/03	This document proposes utilizing, as an option, the new key instead of the original key in the re-issued DOCSIS Manufacturer CVC
OSS2-N-03065	7/2/03	Update OSS specification to support draft-ietf-ipcdn-docs-rfmibv2-05 clarification on docsIfCmStatusValue.
OSS2-N-03069	7/2/03	Redefine docsIfCmtsCmStatusValue compared to the current MIB requirement draft-ietf-ipcdn-docs-rfmibv2-05.txt to support backward compatibility CMTS operations
OSS2-N-03071	7/2/03	Minor corrections to OSSi2 spec (Omnibus)

## V.4 ECNs included in SP-OSSlv2.0-I05-040407

Table V-4 Incorporated ECN Table for SP-OSSlv2.0-I05-040407

ECN	Date Accepted	Summary
OSS2-N-03067	8/20/03	Update OSSI spec to comply with the new set of SNMP V3 standards.
OSS2-N-03083	8/6/03	Apply old OSS-N-02022 to 2.0 OSSI specification to allow vendor specific text to be added at the end of events.
OSS2-N-03087	9/3/03	Add an enum in DOCS-IF-MIB:docsIfCmtsModPreambleType for a row entry consisting only of DOCSIS 1.x bursts.
OSS2-N-03090	9/10/03	Corrections to OSSI 2.0 spec Annex A
OSS2-N-03091	9/17/03	Correct the DOCS-IF-MIB:docsIfCmtsChannelUtlId range in draft-ietf-ipcdn-docs-rfmibv2-05.txt.
OSS2-N-03092	11/12/03	Add guideline for the modulation profile especially for assigning modulation profile to upstream channels regarding the channel type.
OSSlv2.0-N-03.0108-2	12/03/03	To apply OSS-N-02060 to 2.0 Specifications.
OSSlv2.0-N-03.0112-2	1/7/04	Update the accuracy statement for Euro-DOCSIS implementations.
OSSlv2.0-N-03.0115-2	1/21/04	Accept duplicate TLV-11's when the values are the same
OSSlv2.0-N-03.0117-2	1/21/04	Update References for Syslog Formatting
OSSlv2.0-N-04.0121-3	2/25/04	Allow more flexibility of modulation profiles implementation to meet the needs in fields.
OSSlv2.0-N-04.0126-6	3/10/04	Defines the MIB requirements in Section 6 pointing to the new Annex I "Requirements for DOCS-LOADBALANCING-MIB"
OSSlv2.0-N-04.0127-4	3/10/04	Clarifications for DCC in the QoS MIB
OSSlv2.0-N-04.0130-2	3/10/04	Clarification of notBefore value for re-issued CVC

## V.5 ECNs included in CM-SP-OSSlv2.0-I06-040804

Table V-5 Incorporated ECN Table for CM-SP-OSSlv2.0-I06-040804

ECN	Date Accepted	Summary
OSS2-N-02142	8/21/02	Do not allow docsIfUpChannelEntry row deletion if docsIfUpChannelStatus is active(1)
OSSlv2.0-N.04.0139-2	4/14/04	DOCS-QOS-MIB default values docsQosPktClassIpSourceMask and docsQosPktClassIpDestMask and updated references
OSSlv2.0-N.04.0140-3	5/6/04	MTS persistence requirements for Certificate entries in the BPI+ MIB
OSSlv2.0-N.04.0157-1	7/7/04	Update Event Priority level for DOCSIS Event messages

## V.6 ECNs included in CM-SP-OSSlv2.0-I07-041210

Table V-6 Incorporated ECN Table for CM-SP-OSSlv2.0-I07-041210

ECN	Date Accepted	Summary
OSSlv2.0-N.04.0166-3	9/15/04	MSC MIB requirements
OSSlv2.0-N.04.0173-7	11/11/04	Subscriber Usage Based Management Requirements Updates
OSSlv2.0-N.04.0195-1	11/24/04	DOCS-IFEXT2-MIB re-root

## V.7 ECNs included in CM-SP-OSSiv2.0-I08-050408

**Table V-7 Incorporated ECN Table for CM-SP-OSSiv2.0-I08-050408**

<b>ECN</b>	<b>Date Accepted</b>	<b>Summary</b>
OSSiv2.0-N.04.0194-2	12/15/04	DHCP and ARP broadcast filtering (OSS2.0)
OSSiv2.0-N.04.0196-3	1/5/05	MSC MIB object docsIfExt2CmMscStatusIUC2Control clarification
OSSiv2.0-N.04.0199-3	1/19/05	docsDevFilterIp port definition clarifications
OSSiv2.0-N.04.0201-3	2/9/05	Configurable US/DS Channel ID numbering
OSSiv2.0-N.04.0202-2	2/2/05	Mandatory CMTS contention counters to enhance load monitoring
OSSiv2.0-N.04.0204-2	1/26/05	Resolve conflicts between MSC MIB and RFI spec
OSSiv2.0-N.04.0209-4	3/9/05	SAMIS updates to point to IPDR/SP 2.1 and clarifications
OSSiv2.0-N.04.0214-1	3/9/05	Clarifications on MIB objects in docsIfTable from ECN OSSiv2.0-N-04.0201-3